



A Textron Company

Owner's Guide TXT Freedom Gasoline



633141

ISSUED JULY 2013

REVISED NOV 2015

WELCOME

Thank you for purchasing this vehicle. Before driving the vehicle, we ask you to spend some time reading this Owner's Guide. This guide contains the information that will assist you in maintaining this highly reliable vehicle. Some illustrations may show items that are optional for your vehicle. This guide covers the operation of several vehicles; therefore, some illustrations may not represent your vehicle. Physical differences in controls will be illustrated.

Most of the service procedures in this guide can be accomplished using common, automotive hand tools. Contact your service representative on servicing the vehicle in accordance with the Periodic Service Schedule.

Repair or replacement parts are available through your E-Z-GO retailer or Genuine E-Z-GO Service Parts Department.

The following information is needed when contacting E-Z-GO concerning service or parts for your vehicle:

Vehicle Model _____

VIN or Serial Number _____

Read all of this manual to become thoroughly familiar with this vehicle. Pay particular attention to all Notices, Cautions, Warnings, and Dangers.

OWNER'S GUIDE GASOLINE POWERED VEHICLE

TXT FREEDOM

STARTING MODEL YEAR 2014

Never modify the vehicle in any way that will alter the weight distribution of the vehicle, decrease its stability or increase the speed beyond the factory specifications. Such modifications can cause serious personal injury or death. E-Z-GO Division of Textron Inc. prohibits and disclaims responsibility for any such modifications or any other alteration which would adversely affect the safety of the vehicle.

E-Z-GO Division of Textron Inc. reserves the right to incorporate engineering and design changes to products in this manual, without obligation to include these changes on units sold previously.

The information contained in this manual may be revised periodically by E-Z-GO, and therefore is subject to change without notice.

E-Z-GO DISCLAIMS LIABILITY FOR ERRORS IN THIS MANUAL, and SPECIFICALLY DISCLAIMS LIABILITY FOR INCIDENTAL AND CONSEQUENTIAL DAMAGES resulting from the use of the information and materials in this Manual.

These are the original instructions as defined by 2006/42/EC.

CONTACT US:

E-Z-GO Division of Textron Inc.
1451 Marvin Griffin Road.
Augusta, Georgia, USA 30906-3852

North America:

Technical Assistance & Warranty PHONE: 1-800-774-3946 FAX: 1-800-448-8124

Service Parts PHONE: 1-888-GET-EZGO (1-888-438-3946) FAX: 1-800-752-6175

International:

PHONE: 001-706-798-4311 FAX: 001-706-771-4609

FOREWORD

Read all of this manual to become thoroughly familiar with this vehicle. Pay particular attention to all Notices, Cautions, Warnings, and Dangers.

This vehicle has been designed and manufactured in the United States of America (USA). The Standards and Specifications listed in the following text originate in the USA unless otherwise indicated.

The use of non-Original Equipment Manufacturer (OEM) approved parts may void the warranty.

Overfilling battery may void the warranty.

Tampering with or adjusting the governor to permit vehicle to operate at above factory specifications will void the vehicle warranty.

When servicing engines, all adjustments and replacement components must be per original vehicle specifications in order to maintain the United States of America Federal and State emission certification applicable at the time of manufacture.

BATTERY PROLONGED STORAGE

All batteries will self-discharge over time. The rate of self-discharge varies depending on the ambient temperature, the age and condition of the batteries.

A fully charged battery will not freeze in winter temperatures unless the temperature falls below -75°F (-60°C).

BATTERY DISPOSAL

Lead-acid batteries are recyclable. Return whole scrap batteries to distributor, manufacturer or lead smelter for recycling. For neutralized spills, place residue in acid-resistant containers with absorbent material, sand or earth and dispose of in accordance with local, state and federal regulations for acid and lead compounds. Contact local and/or state environmental officials regarding disposal information.

TABLE OF CONTENTS

Read all of this manual to become thoroughly familiar with this vehicle. Pay particular attention to all Notices, Cautions, Warnings, and Dangers.

SAFETY

GENERAL	1
NOTICES, CAUTIONS, WARNINGS, AND DANGERS	1
GENERAL OPERATION	3
MAINTENANCE	4
LABELS AND PICTOGRAMS	5

GENERAL SPECIFICATIONS

VEHICLE DIMENSIONS	8
TURNING DIAMETER AND INCLINE INFORMATION.....	9

INTRODUCTION

FEATURES	11
Steering Wheel	11
Brake Pedal	11
Park Brake	11
Accelerator Pedal	11
Horn.....	11
Key / Light Switch	11
Fuel Gauge with Low Oil Pressure Indicator	12
Direction Selector	12
Choke	12
Neutral Lock	12
Fuse Block.....	12
Cup Holder	13
Headlights / Turn Signals	13
Seat	14
Hip Restraints	14
Turn Signal Switch.....	14
Brake Lights.....	14
Glove Box Compartments and Ball Holders	14
Sweater Basket	14
Bag Well	14
Sun Top (If Equipped)	14

OPERATING PROCEDURES

SERIAL NUMBER LOCATION	15
BEFORE INITIAL USE	16

TABLE OF CONTENTS

Read all of this manual to become thoroughly familiar with this vehicle. Pay particular attention to all Notices, Cautions, Warnings, and Dangers.

OPERATING THE VEHICLE.....	16
Run-In	17
Cold Starting	17
STARTING AND DRIVING.....	18
Starting Vehicle On A Hill	18
Coasting	18
FUEL	19
FUEL TANK.....	19
Early Production Fuel Tank	19
Late Production Fuel Tank	20
BATTERY.....	20
SUN TOP AND WINDSHIELD (IF EQUIPPED).....	20

MAINTENANCE

VEHICLE CLEANING AND CARE.....	21
COMMON SENSE OPERATION	21
ENVIRONMENTAL CONCERNS.....	22
Battery Disposal	22
LIFTING THE VEHICLE	22
WHEELS AND TIRES	23
Tire Repair	23
Wheel Installation	24
LIGHT BULB REPLACEMENT	24
Headlight	25
Turn Signal	25
Brake Light	25
FUSE REPLACEMENT.....	25
VEHICLE WITH A DISCHARGED BATTERY.....	26
TRANSPORTING VEHICLE	26
Neutral Lock	26
Towing	26
Hauling	27
SERVICE AND MAINTENANCE.....	27
ROUTINE MAINTENANCE.....	28
TIRE INSPECTION	28
BRAKES.....	28
Periodic Brake Test	28

TABLE OF CONTENTS

Read all of this manual to become thoroughly familiar with this vehicle. Pay particular attention to all Notices, Cautions, Warnings, and Dangers.

LUBRICATION	29
CAPACITIES AND REPLACEMENT PARTS.....	29
HARDWARE.....	30
FOUR CYCLE ENGINE.....	30
Engine Specifications	30
Engine Description	30
Checking the Oil Level	31
Changing the Oil	31
Starter/Generator Belt Tension	33
Adjusting the Belt	34
BATTERY CLEANING.....	34
AIR INTAKE AND COOLING FINS	35
REAR AXLE	36
Checking the Lubricant Level	36
AIR CLEANER INSPECTION AND REPLACEMENT	36
Cleaning the Air Filter Element	36
SPARK PLUG.....	37
PROLONGED STORAGE	37
PERIODIC SERVICE SCHEDULE	
PERIODIC SERVICE SCHEDULE	41
APPENDIX A	
DECLARATION OF CONFORMITY	A

TABLE OF CONTENTS

Read all of this manual to become thoroughly familiar with this vehicle. Pay particular attention to all Notices, Cautions, Warnings, and Dangers.

Notes:

A large grid of graph paper for taking notes, consisting of 20 columns and 30 rows of small squares.

Read all of this manual to become thoroughly familiar with this vehicle. Pay particular attention to all Notices, Cautions, Warnings, and Dangers.

SAFETY

GENERAL

For any questions on material contained in this manual, contact an authorized representative for clarification.

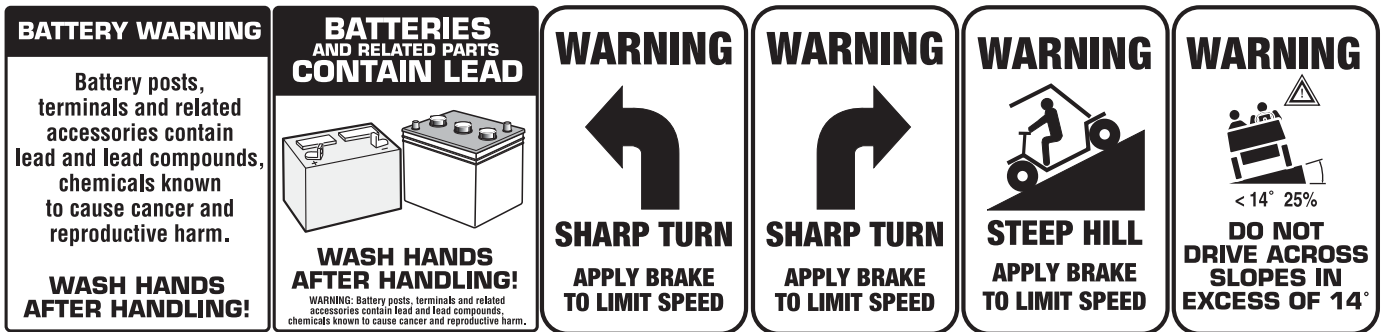
Read all labels located on the vehicle. Always replace any damaged or missing labels.

On steep hills it is possible for vehicles to coast at greater speeds. To prevent loss of vehicle control and possible serious injury, speeds should be limited to no more than the maximum speed on level ground. See GENERAL SPECIFICATIONS. Limit speed by applying the service brake.

Catastrophic damage to the drivetrain components due to excessive speed may result from driving the vehicle above specified speed. Damage caused by excessive speed may cause a loss of vehicle control, is costly, is considered abuse and will not be covered under warranty.

Use extra caution when towing the vehicle(s). Do not tow a single vehicle at speeds in excess of 12 mph (19 kph). Do not tow more than three vehicles at a time. Do not exceed 5 mph (8 kph) while towing multiple vehicles. Towing the vehicle at above the recommended speed may result in personal injury and/or damage to the vehicle and other property.

If the vehicle is to be used in a commercial environment, signs similar to the ones illustrated should be used to warn of situations that could result in an unsafe condition



NOTICES, CAUTIONS, WARNINGS, AND DANGERS

Throughout this guide **NOTICE**, **CAUTION**, **WARNING**, and **DANGER** will be used. Please observe these **NOTICES**, **CAUTIONS**, **WARNINGS**, and **DANGERS**; be aware that servicing a vehicle requires mechanical skill and a regard for conditions that could be hazardous. Improper service or repair may damage the vehicle or render it unsafe.

NOTICE

Address practices not related to personal injury.



CAUTION

Indicates a hazardous situation which, if not avoided, could result in minor or moderate injury.



WARNING

Indicates a hazardous situation which, if not avoided, could result in death or serious injury.



DANGER

Indicates a hazardous situation which, if not avoided, will result in death or serious injury.

SAFETY

Read all of this manual to become thoroughly familiar with this vehicle. Pay particular attention to all Notices, Cautions, Warnings, and Dangers.

This manual has been designed to assist in maintaining the vehicle in accordance with procedures developed by the manufacturer. Adherence to these procedures and troubleshooting tips will ensure the best possible service from the product. To reduce the chance of personal injury or property damage, the following must be carefully observed:



CAUTION

Certain replacement parts can be used independently and/or in combination with other accessories to modify an E-Z-GO-manufactured vehicle to permit the vehicle to operate at or in excess of 20 mph. When an E-Z-GO-manufactured vehicle is modified in any way by the Distributor, Dealer or customer to operate at or in excess of 20mph, UNDER FEDERAL LAW the modified product will be a Low Speed Vehicle (LSV) subject to the strictures and requirements of Federal Motor Vehicle Safety Standard 571.500. In these instances, pursuant to Federal law the Distributor or Dealer MUST equip the product with headlights, rear lights, turn signals, seat belts, top, horn and all other modifications for LSV's mandated in FMVSS 571.500, and affix a Vehicle Identification Number to the product in accordance with the requirements of FMVSS 571.565. Pursuant to FMVSS 571.500, and in accordance with the State laws applicable in the places of sale and use of the product, the Distributor, Dealer or customer modifying the vehicle also will be the Final Vehicle Manufacturer for the LSV, and required to title or register the vehicle as mandated by State law.

E-Z-GO will NOT approve Distributor, Dealer or customer modifications converting E-Z-GO products into LSV's.

The Company recommends that all E-Z-GO products sold as personal transportation vehicles BE OPERATED ONLY BY PERSONS WITH VALID DRIVERS LICENSES, AND IN ACCORDANCE WITH APPLICABLE STATE REQUIREMENTS. This restriction is important to the SAFE USE AND OPERATION of the product.

All customers should adhere to this SAFETY RESTRICTION, in connection with the use of all E-Z-GO products, new and used, the Distributor or Dealer has reason to believe may be operated in personal transportation applications.

Information on FMVSS 571.500 can be obtained at Title 49 of the Code of Federal Regulations, section 571.500, or through the Internet at the web site for the U.S. Department of Transportation - at Dockets and Regulation, then to Title 49 of the Code of Federal Regulations (Transportation).

All vehicles can be used for a variety of tasks beyond the original intended use of the vehicle; therefore, it is impossible to anticipate and warn against every possible combination of circumstances that may occur. No warning can replace good common sense and prudent driving practices.

Good common sense and prudent driving practices do more to prevent accidents and injury than all of the warnings and instructions combined. E-Z-GO strongly suggests that all users and maintenance personnel read this entire manual paying particular attention to the CAUTIONS, WARNINGS and DANGERS contained therein.

If you have any questions regarding this vehicle, contact your E-Z-GO/CUSHMAN dealer or write to the address on the back cover of this publication, Attention: Customer Care Department.

E-Z-GO reserves the right to make design changes without obligation to make these changes on units previously sold. The information contained in this manual is subject to change without notice.

E-Z-GO IS NOT LIABLE FOR ERRORS IN THIS MANUAL. E-Z-GO IS NOT LIABLE FOR INCIDENTAL OR CONSEQUENTIAL DAMAGES THAT RESULT FROM THE USE OF THE MATERIAL IN THIS MANUAL.

This vehicle conforms to the current applicable standard(s) for safety and performance requirements.

These vehicles are designed and manufactured for off-road use. They DO NOT conform to Federal Motor Vehicle Safety Standards of the United States of America (USA) and are not equipped for operation on public streets. Some communities may permit these vehicles to be operated on their streets on a limited basis and in accordance with local ordinances.

Refer to GENERAL SPECIFICATIONS for vehicle seating capacity.



WARNING

Never modify the vehicle in any way that will alter the weight distribution of the vehicle, decrease its stability, or increase the speed or extend the stopping distance beyond the factory specification. Such modifications can result in serious personal injury or death.

Never modify the vehicle in any way that will alter the weight distribution of the vehicle, decrease its stability, or increase the speed or extent the stopping distance beyond the factory specification. E-Z-GO prohibits and disclaims responsibility for all such modifications which would adversely affect the safety of the vehicle.

Read all of this manual to become thoroughly familiar with this vehicle. Pay particular attention to all Notices, Cautions, Warnings, and Dangers.

Vehicles that are capable of higher speeds must limit their speed to no more than the speed of other vehicles when used in a golf course environment. Additionally, speed should be further moderated by the environmental conditions, terrain and common sense.

Operation of the vehicle is limited to persons above the height of 59 inches (150 cm).

GENERAL OPERATION

Read the following warnings before attempting to operate the vehicle.

WARNING

To prevent personal injury or death, observe the following:

When vehicle is to be left unattended, turn key to OFF position AND REMOVE KEY.

Drive vehicle only as fast as terrain and safety considerations allow. Consider the terrain and traffic conditions. Consider environmental factors which affect the terrain and the ability to control the vehicle.

Avoid driving fast downhill. Sudden stops or change of direction may result in a loss of control. Use brake to control speed when traveling down an incline.

Use extra care and reduced speed when driving in poor conditions or on poor surfaces.

Stay in designated areas where provided and avoid steep slopes.

Keep feet, legs, hands, and arms inside vehicle at all times.

Avoid extremely rough terrain.

Check area behind the vehicle before operating in reverse.

Make sure the direction selector is in correct position before depressing the accelerator pedal.

Slow down before and during turns.

Always bring vehicle to a complete stop before shifting the direction selector.

See GENERAL SPECIFICATIONS for vehicle load and seating capacity.

NOTICE

Read the following text and warnings before attempting to service vehicle.

In any product, components may eventually fail to perform properly as the result of normal use, age, wear, or abuse.

It is impossible to anticipate all possible component failures or the manner in which each component may fail.

A vehicle requiring repair is no longer functioning as designed and therefore could be potentially hazardous. Therefore, use extreme care when working on any vehicle. When diagnosing, removing, or replacing any components that are not operating correctly, take time to consider the safety of yourself and others around you.

Some components are heavy, spring-loaded, highly corrosive, explosive, may produce high amperage, or reach high temperatures. Exposure to battery acid and hydrogen gas could result in serious bodily injury. Be careful to protect hands, face, feet, and body from injury.

Always use the appropriate tools listed in the tool list and wear approved safety equipment.

SAFETY

Read all of this manual to become thoroughly familiar with this vehicle. Pay particular attention to all Notices, Cautions, Warnings, and Dangers.



WARNING

Before working on the vehicle, remove all jewelry.

Be sure no loose clothing or hair can contact moving parts.

Use care not to touch hot objects.

Wear eye protection when working on or around the vehicle. In particular, use care when working around batteries, using solvents or compressed air.

ALWAYS:

- Use the vehicle in a responsible manner and maintain the vehicle in safe operating condition.
- Read and observe all warnings and operation instruction labels affixed to the vehicle.
- Follow all safety rules established in the area where the vehicle is being operated.
- Leave the vehicle and seek shelter when there is a risk of lightning.
- Reduce speed to compensate for poor terrain or conditions.
- Apply service brake to control speed on steep grades.
- Maintain adequate distance between vehicles.
- Reduce speed in wet areas.
- Use extreme caution when approaching sharp or blind turns.
- Use extreme caution when driving over loose terrain.
- Use extreme caution in areas where pedestrians are present.

MAINTENANCE

ALWAYS:

- Replace damaged or missing warning, caution or information labels.
- Maintain the vehicle in accordance with the manufacturer's periodic service schedule.
- Ensure that repairs are performed by trained and qualified personnel.
- Follow the manufacturer's maintenance procedures.
- Insulate any tools used within the battery area in order to prevent sparks or battery explosion.
- Use specified replacement parts, NEVER use replacement parts of lesser quality.
- Use recommended tools.
- Determine that tools and procedures not specifically recommended by the manufacturer will not compromise the safety of personnel nor jeopardize the safe operation of the vehicle.
- Support the vehicle using wheel chocks and jack stands. NEVER get under a vehicle that is supported by a jack. Lift the vehicle in accordance with the manufacturer's instructions.
- Maintain the vehicle in an area away from exposed flame or persons who are smoking.
- Be aware that a vehicle that is not performing as designed is a potential hazard and must not be operated.
- Test drive the vehicle after any repairs or maintenance in a safe area that is free of both vehicular and pedestrian traffic.
- Keep complete records of the maintenance history of the vehicle.

Read all of this manual to become thoroughly familiar with this vehicle. Pay particular attention to all Notices, Cautions, Warnings, and Dangers.

LABELS AND PICTOGRAMS

▲ WARNING Failure to follow these instructions can result in SERIOUS INJURY or DEATH

● Operation by persons with valid drivers license, in accordance with state requirements. ● Operate from Driver's side only. ● For non-road use, and in designated areas only. ● Do not operate under the influence of drugs or alcohol. ● All occupants must be fully seated, keep entire body inside vehicle and hold on while vehicle is in motion, move direction selector to desired position, apply service brake, turn key to "ON" and accelerate smoothly. ● Maximum vehicle payload is 800 lbs. (363 kg) including a maximum of 2 persons, options, and accessories. ● Drive slowly straight up and down slopes and in turns. ● Use care in reverse, in congested areas or wet or loose terrain. ● To release parking (PARK) brake, depress service (lower) brake pedal. ● To stop, release accelerator pedal and apply service brake. ● Before leaving vehicle, turn key "OFF", move the direction selector to "forward" (Gas vehicle) or "neutral" (Electric vehicle) and engage parking (PARK) brake. E2324



▲ WARNING

OPERATING INSTRUCTIONS

E2324

BEFORE OPERATING

- READ all warning labels and the owner's manual. Contact an authorized EZ-GO dealer or visit www.ezgo.com for a replacement manual.
- This vehicle is equipped for personal use in most communities. However, state law or local rules may require additional equipment in your community.

SAFE OPERATION

- Turn key to "ON" - select "forward" or "reverse" - release the parking brake (Gas vehicle only) - then slowly depress accelerator pedal.
- Always bring the vehicle to a complete stop BEFORE shifting the direction selector.
- Operate from the driver's seat ONLY.

PARKING

- ALWAYS fully engage the parking brake and remove the key BEFORE leaving the vehicle. In an electric vehicle set the direction selector to "neutral" and in a gasoline vehicle set the selector to "forward".

MAINTENANCE

- This vehicle requires regularly scheduled maintenance (see owner's manual). ONLY qualified personnel should service this vehicle.

74093G01



SAFETY

Read all of this manual to become thoroughly familiar with this vehicle. Pay particular attention to all Notices, Cautions, Warnings, and Dangers.

Notes:

A large grid of graph paper for taking notes, consisting of 20 columns and 30 rows of small squares.

GENERAL SPECIFICATIONS

Read all of this manual to become thoroughly familiar with this vehicle. Pay particular attention to all Notices, Cautions, Warnings, and Dangers.

GENERAL SPECIFICATIONS



A Textron Company

MODEL: TXT FREEDOM GOLF CAR

TYPE: GASOLINE POWERED FREEDOM GOLF CAR

MODEL YEAR: 2014

Part No.: 625113



PRODUCT SPECIFICATION

CONFIGURATION HIGHLIGHTS

Engine: 13.5 hp (10.1 kW) Exceeds SAE J1940 Standard, 4 cycle, 24.5 ci (401 cc) single cylinder, air-cooled by Kawasaki

- **Valve Train:** Overhead valve
- **Lubrication:** Pressurized oil system, spin-on oil filter
- **Balancer:** Internal counter rotating balance shaft
- **Fuel System:** Fixed float bowl with remote pulse fuel pump
- **Ignition:** Electronic spark/magneto
- **Air Cleaner:** Replaceable dry cartridge

Electrical: Starter/Generator, solid-state regulator, 12 Volt maintenance free battery (425 CCA, 60 minute reserve)

Drive Train: Automatic, continuously variable transmission (CVT)

Brakes: Dual rear wheel mechanical self-adjusting drum brakes. Automatic single point park brake release with self-compensating system

Transaxle: Differential with helical gears, ground speed governor, forward/reverse

Capacity: Seating for 2 persons.

PRODUCT OVERVIEW

Dimensions

Overall Length	93.5 in (237 cm)
Overall Width	47.0 in (119 cm)
Overall Height (No Canopy)	46.5 in (118 cm) (Top of steering wheel)
Overall Height (With Canopy)	67.5 in (171 cm) (Top of Sun Canopy)
Wheel Base	66 in (168 cm)
Front Wheel Track	34 in (86 cm)
Rear Wheel Track	38.5 in (98 cm)
Gnd Clearance @ Differential	4.25 in (10.8 cm)

Vehicle Power

Power Source	4 Cycle 24.5 cu in (401 cc). Low E OHV
Valve Train	Single Cylinder OHV
Horsepower (kW)	13.5 hp (10.1 kW) Exceeds SAE J1940 Std.
Electrical System	Starter/Generator. Solid State Regulator
Battery (Qty, Type)	One, 12 Volt Maintenance Free
Key or Pedal Start	Pedal
Air Cleaner	Industrial Rated Dry Filter
Lubrication	Pressurized Oil System
Oil Filter	Spin On
Cooling System	Air Cooled
Fuel Capacity (Early Prod.)	5.3 Gallon (20 L) Tank
Fuel Capacity (Late Prod.)	5.6 Gallon (21.4 L) Tank
Drive Train	Continuously variable transmission (CVT)
Transaxle	Differential with helical gears
Gear Selection	Forward-Reverse
Rear Axle Ratio	11.42:1 (Forward) 15.78:1 (Reverse)

Performance

Seating Capacity	2 Person
Dry Weight	776 lb (352 kg)
Curb Weight	816 lb (370 kg)
Vehicle load capacity	800 lb (364 kg)
Outside Clearance Circle	19.0 ft (5.8 m)
Speed (Level Ground)	13 mph ± 0.5 mph (21 kph ± 0.8 kph)
Towing Capacity	3 Golf Cars with Approved Permanent Tow Bar

Steering & Suspension

Steering	Self-compensating rack and pinion
Front Suspension	Leaf springs with hydraulic shock absorbers
Rear Suspension	Leaf springs with hydraulic shock absorbers
Service Brake	Rear wheel mechanical self-adjusting drum
Parking Brake	Self-compensating, single point engagement
Front Tires	Links 18 x 8.50 - 8 (4 Ply Rated)
Rear Tires	Links 18 x 8.50 - 8 (4 Ply Rated)

Body & Chassis

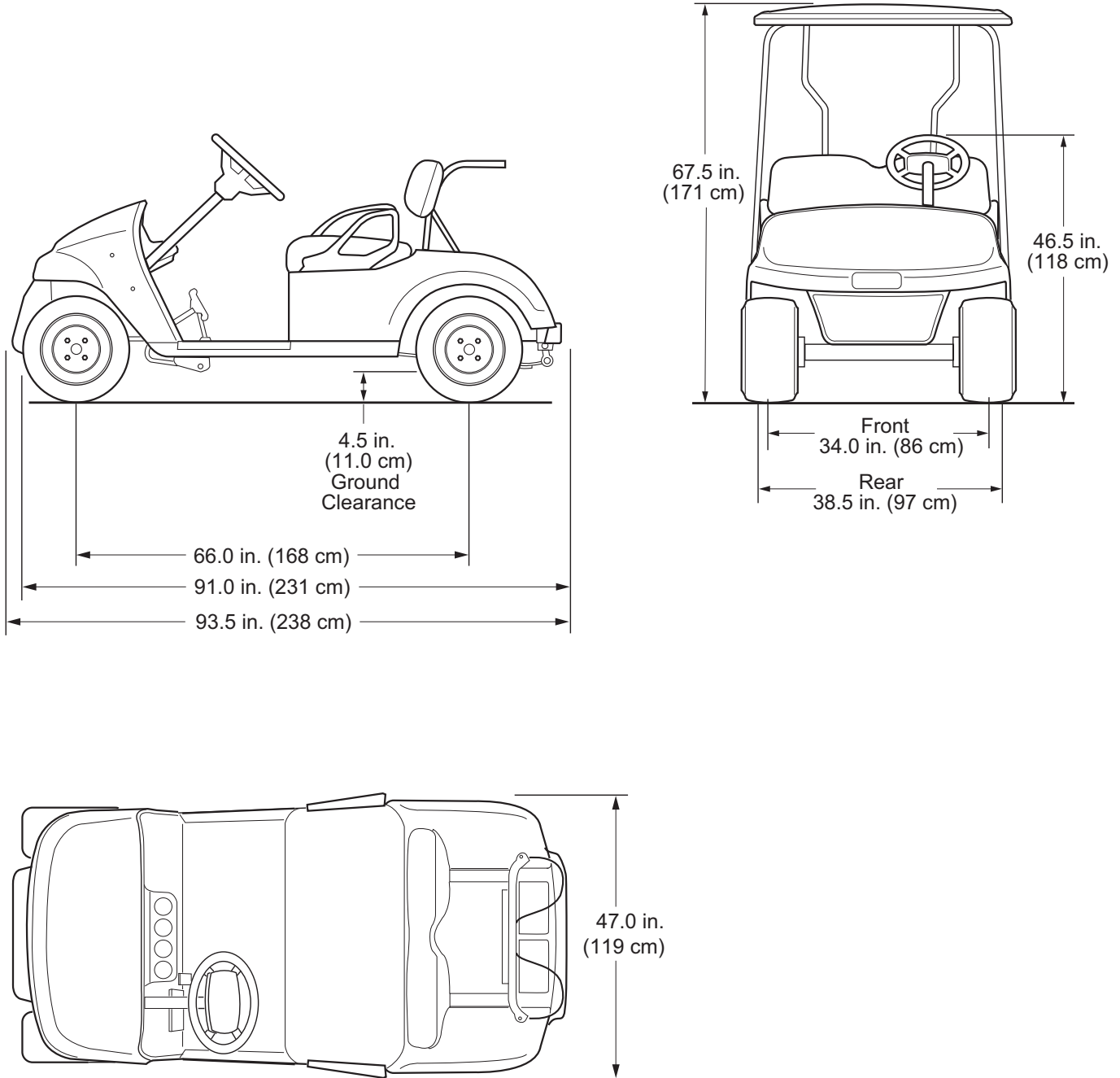
Frame	Welded steel with DuraShield™ powder coat
Front Body & Finish	Injection molded TPO
Standard Color	Ivory
Bumper	Injection molded PP with powder coated steel structure

Some items shown may be optional equipment

GENERAL SPECIFICATIONS

Read all of this manual to become thoroughly familiar with this vehicle. Pay particular attention to all Notices, Cautions, Warnings, and Dangers.

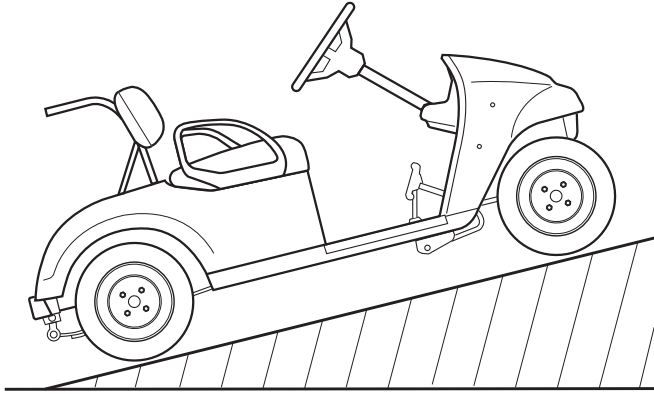
VEHICLE DIMENSIONS



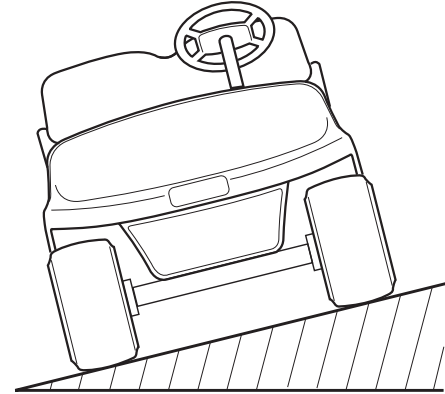
GENERAL SPECIFICATIONS

Read all of this manual to become thoroughly familiar with this vehicle. Pay particular attention to all Notices, Cautions, Warnings, and Dangers.

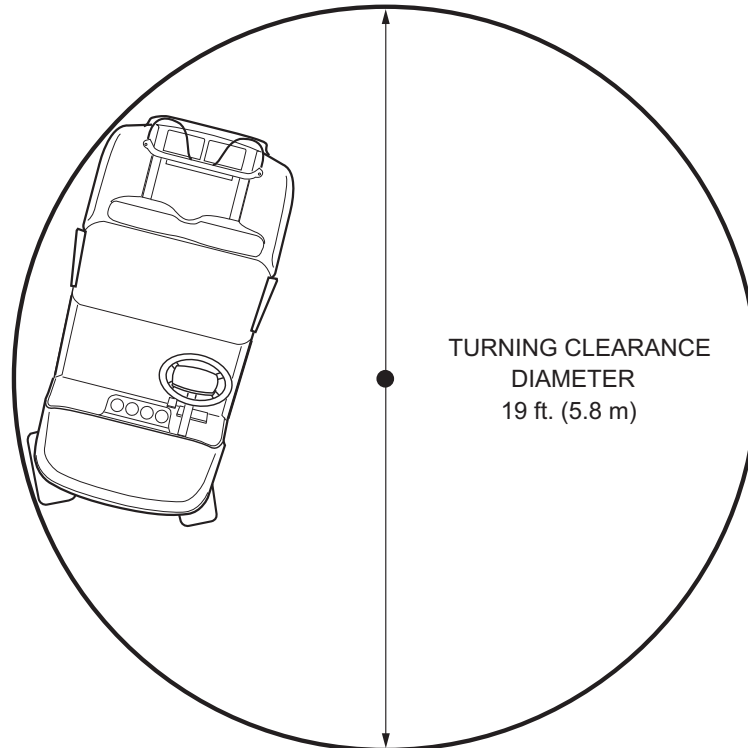
TURNING DIAMETER AND INCLINE INFORMATION



RECOMMENDED MAX RAMP
25% GRADE or 14° MAX



RECOMMENDED MAX SIDE TILT
25% GRADE or 14° MAX

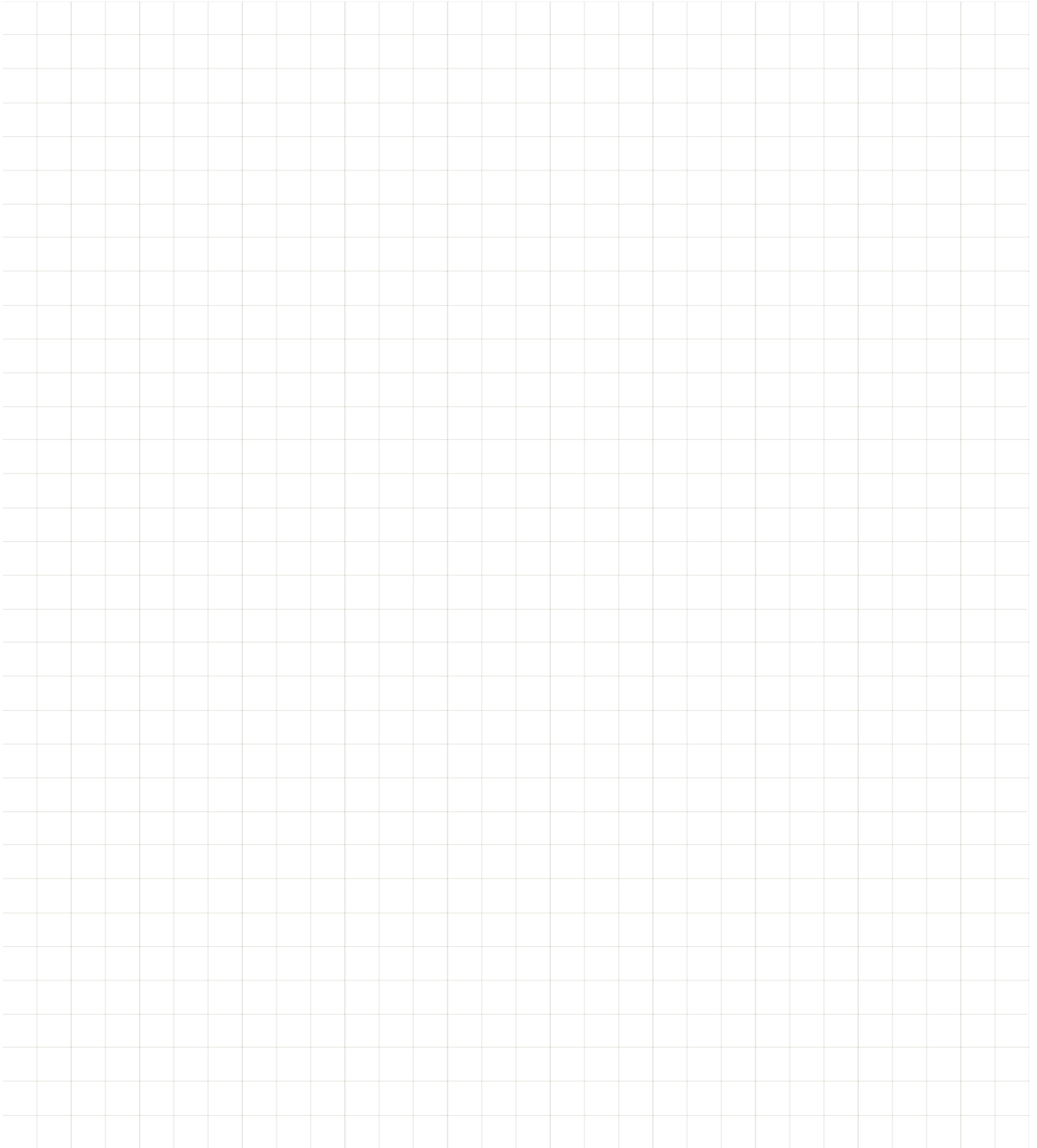


TURNING CLEARANCE
DIAMETER
19 ft. (5.8 m)

GENERAL SPECIFICATIONS

Read all of this manual to become thoroughly familiar with this vehicle. Pay particular attention to all Notices, Cautions, Warnings, and Dangers.

Notes:

A large grid of graph paper for taking notes, consisting of 20 columns and 30 rows of small squares.

Read all of this manual to become thoroughly familiar with this vehicle. Pay particular attention to all Notices, Cautions, Warnings, and Dangers.

INTRODUCTION

FEATURES

NOTICE

If the vehicle is equipped with factory installed custom accessories, some accessories remain operational with the key switch in the 'OFF' position.

1. Steering Wheel

The steering wheel located in front of the driver seat is used to steer the vehicle.

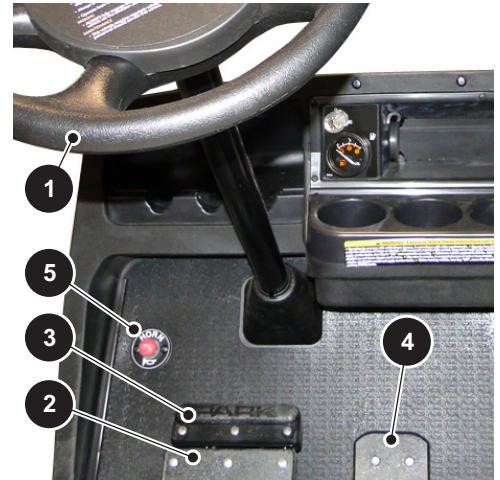
2. Brake Pedal

The brake pedal is located on the floor to the left of the accelerator pedal. The brake pedal is a combination brake and park brake; to activate the brake, depress the lower part of the pedal to slow or stop the vehicle.

3. Park Brake

The foot operated park brake is the top part of the brake pedal. To engage the park brake, push down on the upper section of the pedal until it locks in place. The park brake will release when the lower part of the brake pedal is depressed.

4. Accelerator Pedal



DANGER

Unintentional movement of the accelerator pedal may cause the vehicle to move which could result in severe injury or death.

With the key switch 'ON', depressing the accelerator pedal starts the engine. When the pedal is released, the engine will stop. To stop the vehicle more quickly, depress the brake pedal.

5. Horn

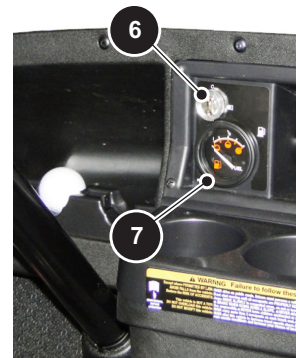
The horn button is located on the driver side floorboard; depressing the button will sound the vehicle's horn.

6. Key / Light Switch

CAUTION

To reduce the possibility of component damage, the vehicle must be stopped before moving the key switch from one position to another.

Located on the dash panel, this switch controls the basic electrical system of the vehicle as well as the front and rear lights. The switch has three positions, OFF, ON, and LIGHTS. To prevent inadvertent operation of the vehicle when left unattended, the key should be turned to the 'OFF' position and removed from the switch.



NOTICE

If the vehicle is equipped with factory installed custom accessories, some accessories remain operational with the key switch in the 'OFF' position.

INTRODUCTION

Read all of this manual to become thoroughly familiar with this vehicle. Pay particular attention to all Notices, Cautions, Warnings, and Dangers.

7. Fuel Gauge with Low Oil Pressure Indicator

The fuel gauge indicates the amount of gasoline in the fuel tank. 'F' indicates a full tank and 'E' indicates an empty fuel tank. The fuel gauge has a low oil pressure indicator. A low engine oil pressure condition is shown with a red indicator light.

The low oil pressure indicator light on early model vehicles is located beside the fuel gauge on the dash, and not part of the fuel gauge.



CAUTION

To prevent engine damage, do not operate engine when oil pressure indicator is illuminated. Do not overfill engine. Too much oil may cause smoking or allow oil to enter the filter enclosure.

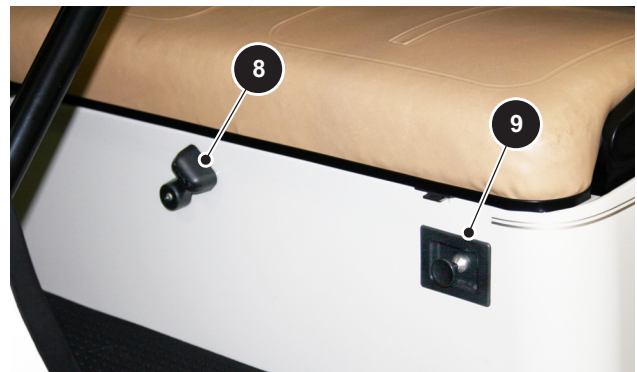
8. Direction Selector



CAUTION

To reduce the possibility of component damage, the vehicle must be completely stopped before changing positions of the direction selector.

Located on the seat wrap panel, the direction selector lever permits the selection of either 'F' (forward), or 'R' (reverse). Vehicle should be left in 'F' when unattended.

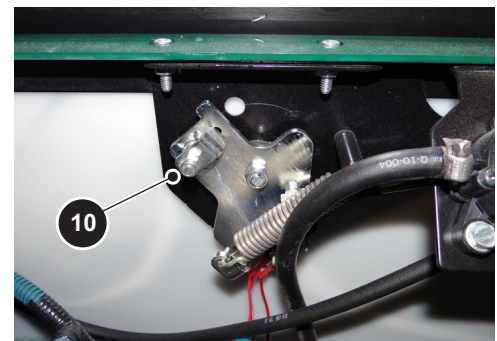


9. Choke

The choke is located on the seat wrap panel and used to aid cold starting. See COLD STARTING for operating instructions.

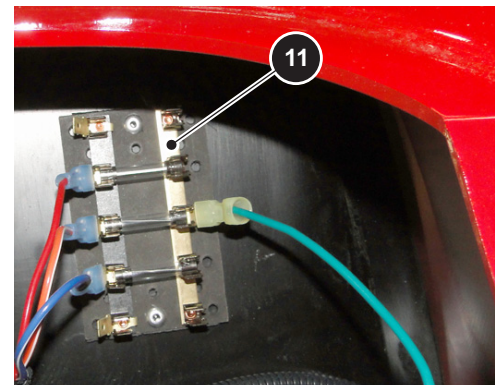
10. Neutral Lock

The neutral lock is for use when the vehicle needs to be pushed or towed. The switch is located under the passenger side seat.



11. Fuse Block

The fuse block is used to provide electrical protection to some of the electrical components and vehicle accessories. The fuse block is located under the seat on the driver side fender liner.



Read all of this manual to become thoroughly familiar with this vehicle. Pay particular attention to all Notices, Cautions, Warnings, and Dangers.

12. Cup Holder

A cup holder is provided for convenience of both the driver and passenger.



13. Headlights / Turn Signals

The combination headlight/turn signal assemblies are located on the front cowl.



INTRODUCTION

Read all of this manual to become thoroughly familiar with this vehicle. Pay particular attention to all Notices, Cautions, Warnings, and Dangers.

14. Seat

The bench seat is designed for two occupants.

15. Hip Restraints

The hip restraints are designed to help keep the occupants properly positioned in the event of sudden vehicle position changes.

16. Turn Signal Switch

The turn signal switch is located on the steering column and activates the turn signals when moved up or down.

17. Brake Lights

The brake lights are located on the rear fenders.

18. Glove Box Compartments and Ball Holders

The glove box compartments with golf ball holders on each side of the instrument panel provides storage space for small items.

19. Sweater Basket

The open basket behind the seat is provided to carry personal items.

20. Bag Well

The bag well with straps secures golf bags.

21. Sun Top (If Equipped)

The sun top offers some protection from sun or light rain.



OPERATING PROCEDURES

Read all of this manual to become thoroughly familiar with this vehicle. Pay particular attention to all Notices, Cautions, Warnings, and Dangers.

OPERATING PROCEDURES

SERIAL NUMBER LOCATION

Two serial number and manufacture date code plates are on the vehicle. One (PART C) is placed on the body below the front, driver side of the seat, PART D is placed on the frame weld tube. The other (PART A and PART B) is located on the crossmember section of the chassis on the driver side (seat back support). To access it, raise the seat and lift up the flap on the access panel.

Design changes take place on an ongoing basis. In order to obtain correct components for the vehicle, the manufacture date code, serial number and vehicle model manufacture date code, and vehicle model must be provided when ordering service parts.

PART A

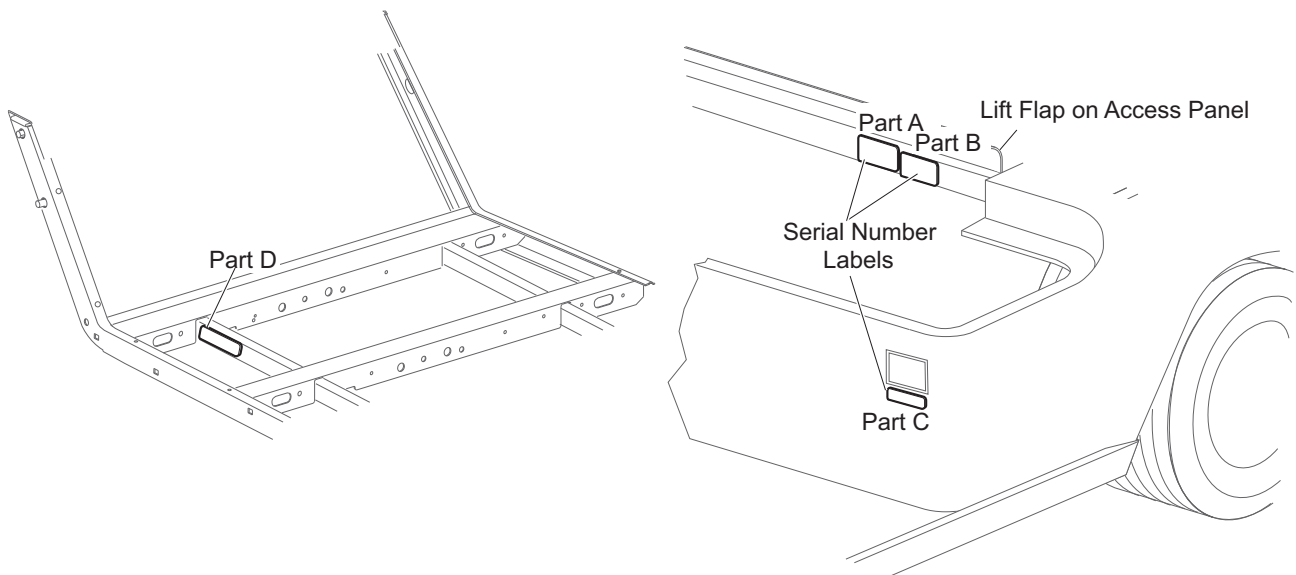
[]	
MODEL []	AG CE
DATE CODE []	
SERIAL No. []	GVW Lb / kg
Bar Code []	Lb / kg W Batt
	Nom Power Hp / kw

PART B

Rated Capacity W/Operator lb/kg	/	System voltage	V
Lb/kg W/O Batt	/	Max Draw bar lb/kg	/
Max Batt lb/kg	/		
[]			

PART C/D

SERIAL No. []
Bar Code []



OPERATING PROCEDURES

Read all of this manual to become thoroughly familiar with this vehicle. Pay particular attention to all Notices, Cautions, Warnings, and Dangers.

BEFORE INITIAL USE

Read, understand and follow the safety label on the instrument panel. Be sure you understand how to safely operate the vehicle and its equipment. Maintaining good performance depends to a large extent on the operator.

WARNING

Improper use of this vehicle could result in severe injury or death. This series of vehicles are light duty vehicles. They are NOT All Terrain Vehicles (ATV).

This vehicle is not a toy and using it while engaging in horseplay is dangerous.

To reduce the chance of a battery explosion that could result in severe injury or death, never smoke around or charge battery in an area that has open flame or electrical equipment that could cause an electrical arc.

Before a new vehicle is put into operation, the items shown in the **INITIAL SERVICE CHART** must be performed.

INITIAL SERVICE CHART	
Item	Service Operation
Fuel	Add as required
Battery	Charge if necessary
Seats	Remove protective plastic covering
Brakes	Check operation
	Establish acceptable stopping distance for brake performance test
Tires	Check air pressure (see specifications)

Check for leaks that could have developed in shipment from the factory.

OPERATING THE VEHICLE

CAUTION

Improper use of the vehicle or the lack of proper maintenance may result in damage or decreased performance.

Read the following warnings before attempting to operate the vehicle.

WARNING

To reduce the possibility of severe injury or death resulting from loss of vehicle control, the following warnings must be observed:

When driving vehicle, consider the terrain, traffic conditions and the environmental factors which effect the terrain and the ability to control the vehicle.

Use extra care and reduced speed when driving on poor surfaces, such as loose dirt, wet grass, gravel, etc.

Stay in designated areas and avoid extremely rough terrain.

Maintain a safe speed when driving down hill. Use service brake to control speed when traveling down an incline. A sudden stop or change of direction may result in loss of control.

Slow down before and during turns. All turns should be made at reduced speed.

Never drive vehicle up, down, or across an incline that exceeds 14° (25% grade).

OPERATING PROCEDURES

Read all of this manual to become thoroughly familiar with this vehicle. Pay particular attention to all Notices, Cautions, Warnings, and Dangers.

Refer to **GENERAL SPECIFICATIONS** for seating capacity.

Depressing accelerator pedal will release foot operated park brake and may cause inadvertent vehicle movement. Turn the key to the 'OFF' position whenever the vehicle is parked.

To prevent inadvertent movement when the vehicle is to be left unattended, engage the park brake, move direction selector to forward position, turn key to 'OFF' position and remove key.

Make sure that the direction selector is in correct position before attempting to start the vehicle.

Always bring the vehicle to a complete stop before shifting the direction selector.

Do not take vehicle out of 'gear' while in motion (coast).

Check the area behind the vehicle before operating in reverse.

All occupants must be seated. Keep entire body inside vehicle and hold on while vehicle is in motion.

Run-In

Check for oil or fuel leaks that could have developed in shipment from the factory. Avoid full throttle starts and rapid acceleration until the engine has achieved operating temperature.

All engines consume more oil than normal during the first hours of operation. As internal moving parts are run-in, oil consumption should gradually decrease until the rate of consumption stabilizes.

Check the oil level per the **PERIODIC SERVICE SCHEDULE**. Add oil if the level on the dipstick indicates that oil is in the add oil range.

CAUTION

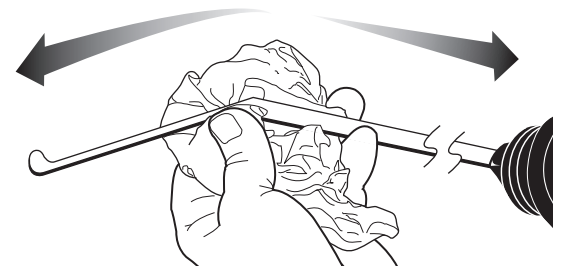
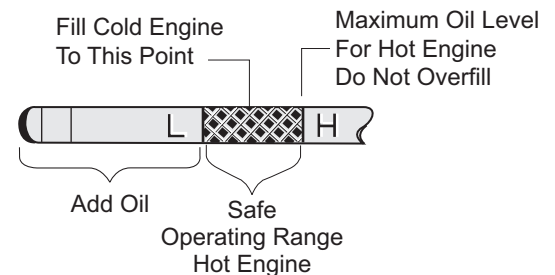
Do not overfill engine. Too much oil may cause smoking or allow oil to enter the air filter enclosure.

NOTICE

The oil dipstick/fill cap must be in place before operating the engine. Failure to install the dipstick/fill cap will result in oil becoming contaminated and/or being discharged into the engine compartment.

Oil dipsticks are unique to this model vehicle. Do not interchange oil dipsticks between models.

The oil should be changed in accordance with the Periodic Service Schedule while the engine is warm. See **SERVICE AND MAINTENANCE** for checking oil level and changing oil procedures.



Cold Starting

Starting a cold engine may require use of the choke. Depress the accelerator approximately 1" (2.5 cm) or until the starter just begins to operate. Pull the choke out if required. Accelerate slowly and push the choke in completely when the engine runs smoothly.

CAUTION

Do not allow the starter to operate continuously for more than 10 seconds. Allow 30 seconds between starting attempts. If the vehicle does not start on the third attempt, turn the key switch off, set the park brake and determine the cause of the problem.

If the vehicle has already been running and the engine does not start within 10 seconds, use the choke.

OPERATING PROCEDURES

Read all of this manual to become thoroughly familiar with this vehicle. Pay particular attention to all Notices, Cautions, Warnings, and Dangers.

STARTING AND DRIVING

WARNING

To reduce the possibility of roll-back which could result in severe injury or vehicle damage, do not release service brake until engine has started.

To operate vehicle:

1. Apply the service brake, place the key in the key switch and turn it to the 'ON' position.
2. Move the direction selector to the direction desired.
3. Release the park brake by depressing the service brake pedal until the park brake releases.
4. Slowly depress the accelerator pedal to start the engine. Release service brake when engine starts.
5. When the accelerator pedal is released, the ignition circuit is de-energized and the engine stops. To stop the vehicle more quickly, depress the service brake pedal.

NOTICE

When the direction selector is in the reverse position, a warning signal will sound to indicate that the vehicle is ready to run in reverse.

Starting Vehicle On A Hill

WARNING

To reduce the possibility of roll-back which could result in severe injury or vehicle damage, do not release service brake until engine has started.

CAUTION

Do not hold vehicle on hill by using accelerator and engine. This will cause premature and excessive wear to drive train components.

To reduce the possibility of permanent damage to the drive system, it is important to prevent excessive roll-back when starting the vehicle on a hill.

Place left foot on service brake and release the park brake. Depress accelerator with right foot and release the service brake by lifting left foot.

Coasting

WARNING

To reduce the possibility of severe injury or death from coasting at above recommended speeds, limit speed with service brake.

On steep hills, it is possible for the vehicle to coast at greater than normal speeds encountered on a flat surface. To reduce the possible loss of vehicle control and severe drivetrain damage, speeds should be limited to no more than the maximum governed speed on level ground (see GENERAL SPECIFICATIONS). Limit speed by applying service brake.

OPERATING PROCEDURES

Read all of this manual to become thoroughly familiar with this vehicle. Pay particular attention to all Notices, Cautions, Warnings, and Dangers.

FUEL

WARNING

To decrease the risk of severe injury or death from improper fuel handling:

Do not smoke near the fuel tank.

Do not add fuel near open flame or electrical items that can cause a spark.

Always handle gasoline in a well ventilated area.

Always wear eye protection to protect against splashed fuel and fuel vapors.

Inspect the fuel cap, tank and other components for leaks or damage that can cause a hazardous condition.

CAUTION

Oxygenated or reformulated gasoline, is mixed with alcohols or ethers. Excessive amounts of these blends can damage the fuel system or cause performance problems. If any operating problems occur, use gasoline with a lower percentage of alcohol or ether.

Use clean regular grade unleaded fuel. The Ethanol blend fuel up to 10% is permitted.

Do not use gasoline that contains methanol.

High altitude or heavy use/load applications can benefit from higher octane gasoline.

FUEL TANK

The fuel tank is found below the seat on the passenger side of the vehicle. Fill the tank with clean, automotive grade gasoline.

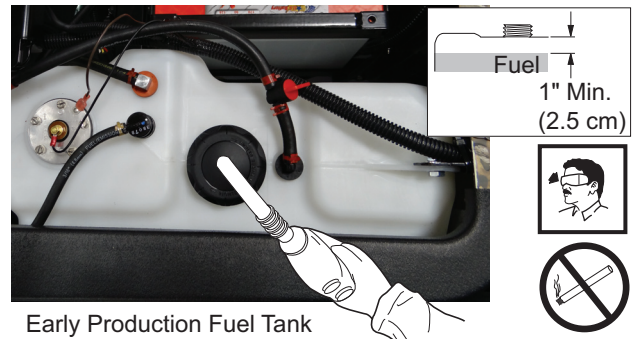
Early Production Fuel Tank

WARNING

Always allow enough space for the expansion of gasoline. Leave at least 1-inch (2.5 cm) of space below bottom of filler neck.

Early production fuel tanks can be identified by the location of the fuel cap which is located in the middle of the top of the tank as shown.

Early production fuel tanks require enough space for the expansion of the gasoline. Leave at least 1-inch (2.5 cm) of space below the bottom of the filler neck.



Early Production Fuel Tank

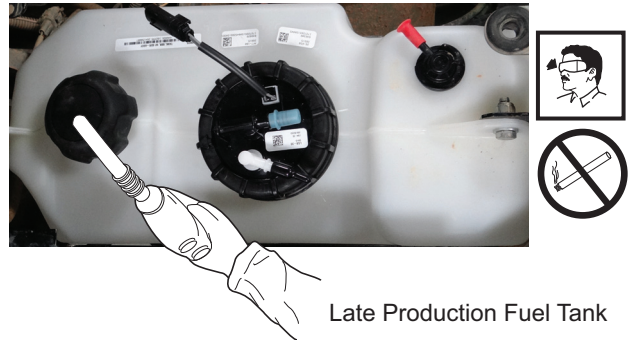
OPERATING PROCEDURES

Read all of this manual to become thoroughly familiar with this vehicle. Pay particular attention to all Notices, Cautions, Warnings, and Dangers.

Late Production Fuel Tank

Late production fuel tanks can be identified by the location of the fuel cap which is located in the rear of the top of the tank as shown.

Late production fuel tanks are designed to allow for fuel expansion and do NOT require space below bottom of filler neck.



Late Production Fuel Tank

BATTERY

CAUTION

Heavy use of accessories may drain the battery and leave insufficient reserve to start the vehicle.

The vehicle uses a combination starter/generator to both start the engine and charge the battery. The engine will not idle; therefore, the battery cannot be charged while the vehicle is stopped. Do not operate accessory items (such as lights) excessively while the vehicle is stopped.

The generator is capable of supplying 35 amps; therefore, operation of all accessories could result in the discharge of the battery even though the engine is running and the generator operating. Discharging the battery is known as deep cycling. The battery is not a deep cycle model, but is a starting battery. Multiple deep cycling will result in the premature failure of the battery.

If the vehicle battery has become discharged, it must be charged using a 12 volt charger that is rated at 10 amps or less and in accordance with all instructions provided by the manufacturer of the charger.

SUN TOP AND WINDSHIELD (IF EQUIPPED)

WARNING

The sun top does not provide protection from roll-over or falling objects.

The windshield does not provide protection from tree limbs or flying objects.

The sun top and windshield provide some protection from the elements; however, they will not keep the operator and passenger dry in a downpour. This vehicle is not equipped with seat belts and the sun top has not been designed to provide roll-over protection. In addition, the sun top does not protect against falling objects nor does the windshield protect against flying objects and tree limbs. Keep arms and legs inside the vehicle while it is moving.

Read all of this manual to become thoroughly familiar with this vehicle. Pay particular attention to all Notices, Cautions, Warnings, and Dangers.

MAINTENANCE

VEHICLE CLEANING AND CARE

WARNING

To reduce the possibility of severe injury or vehicle damage, read and understand all instructions supplied by manufacturer of pressure washer.

CAUTION

When pressure washing exterior of vehicle, do not use pressure in excess of 700 psi and maintain a 12" minimum distance from spray nozzle to painted surface. To reduce the possibility of cosmetic damage, do not use any abrasive or reactive solvents to clean plastic parts.

It is important that proper techniques and cleaning materials be used. Using excessive water pressure may cause severe injury to operator or bystander, damage to seals, plastics, seat material, body finish or electrical system. Do not use pressure in excess of 700 psi to wash exterior of vehicle.

Clean windshield with lots of water and a clean cloth. Minor scratches may be removed using a commercial plastic polish or Plexus® plastic cleaner available from the service parts department.

Normal cleaning of vinyl seats and plastic or rubber trim requires the use of a mild soap solution applied with a sponge or soft brush and wipe with a damp cloth.

Removal of oil, tar, asphalt, shoe polish, etc. will require the use of a commercially available vinyl/rubber cleaner.

The painted surfaces of the vehicle provide attractive appearance and durable protection. Frequent washing with luke-warm or cold water and mild detergent is required to preserve the painted surfaces.

Occasional cleaning and waxing with non-abrasive products designed for 'clear coat' automotive finishes will enhance the appearance and durability of the painted surfaces.

Corrosive materials used as fertilizers or for dust control can collect on the underbody of the vehicle. These materials will cause corrosion of underbody parts unless flushed occasionally with plain water. Thoroughly clean any areas where mud or other debris can collect. Sediment packed in closed areas should be loosened to ease its removal, taking care not to chip or otherwise damage paint.

COMMON SENSE OPERATION

This vehicle is not a toy. If not operated properly and responsibly, it can cause severe injury or death to the operator, passengers or bystanders. All operators should possess a valid driver's license. Children should not be permitted to operate the vehicle. Children may not have the skill, judgement or strength to operate this or similar vehicles.

Do not operate vehicle under influence of alcohol or drugs. Many prescription and over the counter medications reduce the ability of the driver to operate the vehicle safely. Always review side effects of any medication with a doctor or pharmacist before operating vehicle.

When driving on an unpaved road, loose surfaces or wet grass, vehicle stopping distance will increase. If the vehicle is fully loaded, it will take longer to stop than with no load. When operating vehicle in wet weather conditions, remember that the brakes may need to be **lightly** applied in order to provide enough friction to dry the brake unit. If wet, the brakes will lose much of their effect.

Slow down when in unfamiliar terrain. Slow down when cresting a hill in an unfamiliar area.

Some hills are too steep to climb. If attempting to climb a hill that is too steep or if unable to achieve adequate traction, **do not attempt to turn around on the hill. Slowly back straight down the hill using the service brake to control speed.**

MAINTENANCE

Read all of this manual to become thoroughly familiar with this vehicle. Pay particular attention to all Notices, Cautions, Warnings, and Dangers.

ENVIRONMENTAL CONCERNS

WARNING

As a responsible user, practice respect for all wildlife and their habitat. Respect private property and comply with all local laws and regulations.

Be aware of the danger of fire when vehicle is operated over dry, combustible material.

When operating vehicle, be aware of environmental hazards such as steep slopes, overhanging limbs, etc.

Battery Disposal

Lead-acid batteries are recyclable. Return whole scrap batteries to distributor, manufacturer or lead smelter for recycling. For neutralized spills, place residue in acid-resistant containers with absorbent material, sand or earth and dispose of in accordance with local, state and federal regulations for acid and lead compounds. Contact local and/or state environmental officials regarding disposal information.

LIFTING THE VEHICLE

Some servicing operations may require the front wheels, rear wheels, or entire vehicle to be raised.

WARNING

Use extreme care since the vehicle is extremely unstable during the lifting process.

Be sure the vehicle is on a firm and level surface.

Never get under a vehicle while it is supported by a jack.

Use jack stands and test the stability of the vehicle on the stands.

Place chocks in front and behind the wheels not being raised.

CAUTION

When lifting the vehicle, position the jacks and jack stands only at areas indicated.

Tool List	Qty.	Tool List	Qty.
Floor Jack	1	Jack Stands	4
Wheel Chocks.....	4		

MAINTENANCE

Read all of this manual to become thoroughly familiar with this vehicle. Pay particular attention to all Notices, Cautions, Warnings, and Dangers.

No person(s) should be in or on the vehicle while lifting.

To raise the entire vehicle, install chocks in front and behind each front wheel. Center the jack under the rear frame crossmember. Raise the vehicle enough to place a jack stand under the outer ends of the rear axle.

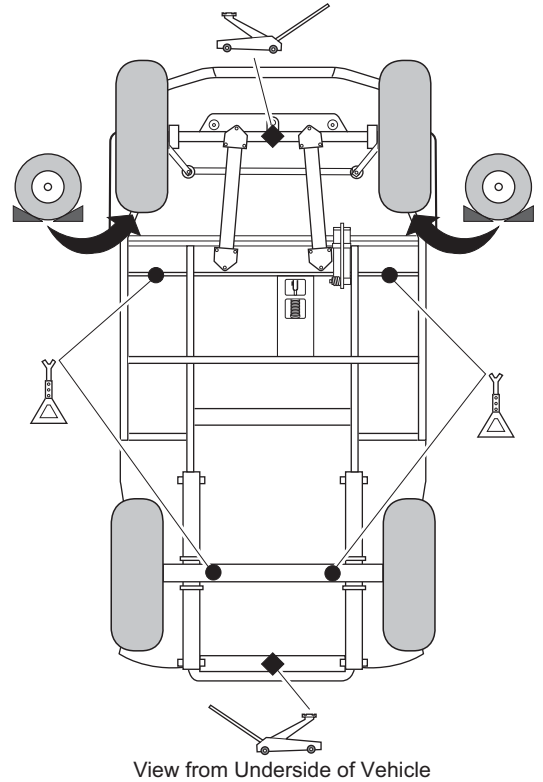
Lower the jack and test the stability of the vehicle on the two jack stands.

Place the jack at the center of the front axle. Raise the vehicle enough to place jack stands under the frame crossmember as indicated.

Lower the jack and test the stability of the vehicle on all four jack stands.

If only the front or rear of the vehicle is to be raised, place the chocks in front and behind each wheel not being raised to stabilize the vehicle.

Lower the vehicle by reversing the lifting sequence.



WHEELS AND TIRES

WARNING

A tire explosion can cause severe injury or death. Never exceed the inflation pressure rating on the tire sidewall.

To reduce the possibility of tire explosion, pressurize tire with small amounts of air applied intermittently to seat beads. Due to the low volume of the small tires, overinflation can occur in seconds. Never exceed the tire manufacturer's recommendation when seating a bead. Protect face and eyes from escaping air when removing a valve core.

To reduce the possibility of severe injury caused by a broken socket when removing wheels, use only sockets designed for impact wrench use.

DO NOT use low inflation tires on any E-Z-GO vehicle. DO NOT use any tire which has a recommended inflation pressure less than the inflation pressure recommended in the owner's guide.

Use caution when inflating tires. Overinflation could cause the tire to separate from the wheel or cause the tire to explode, either of which could cause severe injury.

Tire Repair

Tool List	Qty.	Tool List	Qty.
Lug Wrench, 3/4".....	1	Impact Socket, 3/4".....	1
Impact Wrench.....	1	Torque Wrench, ft. lbs.....	1

Use caution when inflating tires. Due to the low volume of the small tires, overinflation can occur in seconds. Overinflation could cause the tire to separate from the wheel or cause the tire to explode.

MAINTENANCE

Read all of this manual to become thoroughly familiar with this vehicle. Pay particular attention to all Notices, Cautions, Warnings, and Dangers.

Tire inflation should be determined by the condition of the terrain. See GENERAL SPECIFICATIONS section for recommended tire inflation pressure. For outdoor applications with major use on grassy areas, the following should be considered. On hard turf, it is desirable to have a **slightly** higher inflation pressure. On very soft turf, a lower pressure reduces the possibility of tires cutting into the turf. For vehicles being used on paved or hard surfaces, tire inflation pressure should be in the higher allowable range, but under no condition should inflation pressure be higher than recommended on tire sidewall. **All four tires** should have the same pressure for optimum handling characteristics. Be sure to install the valve stem dust cap after checking or inflating.

The vehicle is fitted with low pressure tubeless tires mounted on one piece rims; therefore, the most cost effective way to repair a puncture in the tread is to use a commercial tire plug.

NOTICE

Tire plug tools and plugs are available at most automotive parts outlets and have the advantage of not requiring the tire be removed from the wheel.

If the tire is flat, remove the wheel and inflate the tire to the maximum recommended pressure for the tire. Immerse the tire in water to locate the leak and mark with chalk. Insert tire plug in accordance with manufacturer's instructions.

WARNING

To reduce the possibility of severe injury, be sure the mounting/demounting machine is anchored to floor. Wear OSHA approved safety equipment when mounting/demounting tires.

If the tire is to be removed or mounted, the tire changing machine manufacturer's recommendations must be followed in order to reduce possibility of severe injury.

Wheel Installation

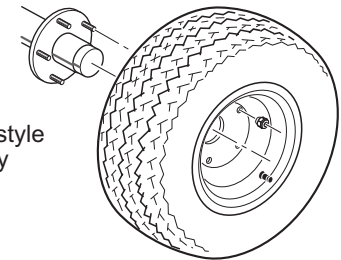
CAUTION

To reduce the possibility of component damage, do not tighten lug nuts to more than 85 ft. lbs. (115 Nm) torque.

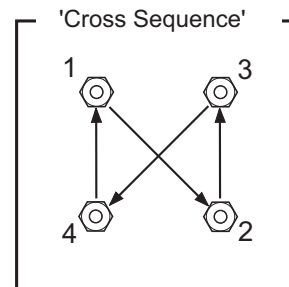
NOTICE

It is important to follow the 'cross sequence' pattern when installing lug nuts. This will assure even seating of the wheel against the hub.

With the valve stem to the outside, mount the wheel onto the hub with lug nuts. Finger tighten the lug nuts in a 'cross sequence' pattern. Tighten the lug nuts to 50 to 85 ft. lbs. (68 to 115 Nm) torque in 20 ft. lbs. (27 Nm) increments following the 'cross sequence' pattern.



Tire/wheel style may vary



LIGHT BULB REPLACEMENT

CAUTION

To reduce the possibility of premature bulb failure, do not touch new bulbs with bare fingers. Use clean, dry tissue or paper towel to handle the glass portion of the bulb.

Read all of this manual to become thoroughly familiar with this vehicle. Pay particular attention to all Notices, Cautions, Warnings, and Dangers.

Headlight

CAUTION

To prevent bulb from inadvertently disconnecting and possibly melting or igniting plastic components, the locking ring **MUST** be reinstalled after installation of replacement bulb.

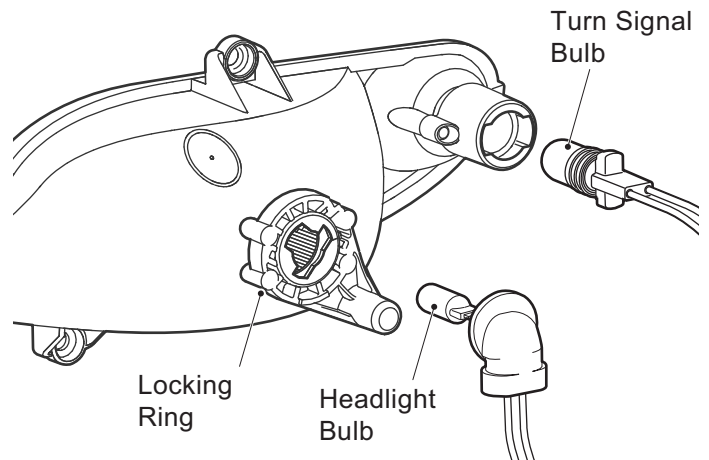
Pull the locking ring straight off the back of the light housing and allow it to slide down the harness and out of the way.

Rotate bulb socket a quarter turn counterclockwise to unlock. Pull out bulb and socket. Insert new bulb and rotate socket a quarter turn clockwise to secure.

Slide locking ring over new bulb socket and onto back of light housing.

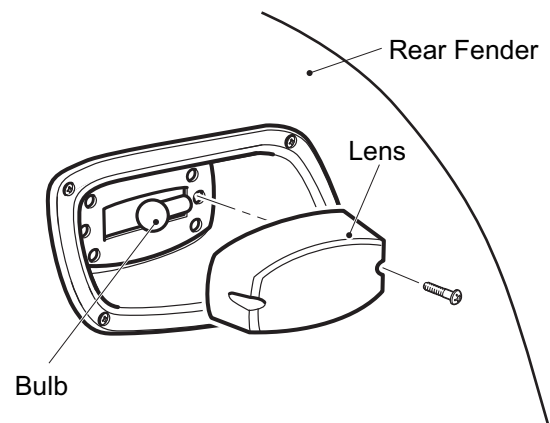
Turn Signal

Locate the turn signal bulb socket on backside of light housing. Rotate a quarter turn counterclockwise to unlock and remove from housing. Insert replacement bulb and rotate a quarter turn clockwise to secure in place.



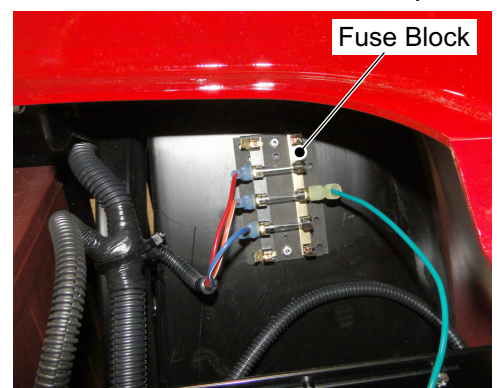
Brake Light

Remove two phillips head screws securing lens and pull lens out of housing to access the brake light bulb. Remove the light bulb and install a new bulb, making sure bulb makes good contact with socket. Replace the lens and reinstall the phillips head screws.



FUSE REPLACEMENT

The fuse block is located on the fender liner on the driver side of the vehicle. Raise seat bottom for access, pull out old fuse and replace with a new fuse of the same type and size.



MAINTENANCE

Read all of this manual to become thoroughly familiar with this vehicle. Pay particular attention to all Notices, Cautions, Warnings, and Dangers.

VEHICLE WITH A DISCHARGED BATTERY

WARNING

To reduce the possibility of severe injury or death from inadvertent motion, do not attempt to 'jump start' a vehicle.

The vehicle is equipped with a starter/generator and does not idle. When starting the engine, the starter/generator functions as a starter; with the engine running, it functions as a generator.

With the short running times associated with this kind of vehicle, the generator is more than adequate to maintain the battery charge level. The generator is not designed to charge a discharged battery.

'Jump starting' the vehicle is not recommended. When the engine starts, the clutches engage and cause the vehicle to move, making 'jump starting' both dangerous and impractical.

If the vehicle battery has become discharged, it must be charged using a 12 volt charger that is rated at 10 amps or less. Read and understand all instructions provided by the manufacturer of the charger.

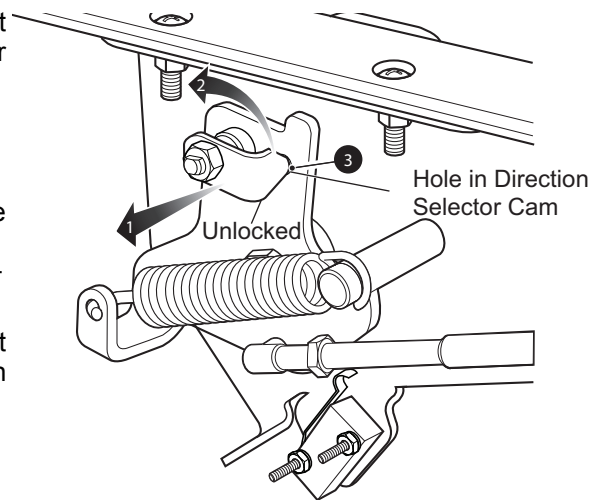
TRANSPORTING VEHICLE

Neutral Lock

The neutral lock must be locked into the neutral position to prevent the driven clutch from turning the rear wheels during towing and/or service operations.

Turn key switch to 'OFF' and lift the seat. Pull out and rotate the neutral lock pin handle so that the pointed portion of the handle is to the side of the direction selector cam. Move direction selector toward the area between 'F' and 'R'. The pin will snap into the hole in the direction selector mounting bracket, preventing any movement. The direction selector will remain locked in the neutral position.

To unlock the direction selector, pull the neutral lock pin handle out and rotate until the pointed portion of the handle fits into the hole in the direction selector cam.



Towing

WARNING

Use extra caution when towing a vehicle.

DO NOT ride on the vehicle being towed.

DO NOT attempt to tow the vehicle with ropes, chains or any device other than a factory approved tow bar.

DO NOT tow vehicle on highways.

DO NOT tow a single vehicle at speeds in excess of 12 mph (19 kph).

DO NOT tow more than three vehicles at a time.

DO NOT exceed 5 mph (8 kph) while towing multiple vehicles.

Read all of this manual to become thoroughly familiar with this vehicle. Pay particular attention to all Notices, Cautions, Warnings, and Dangers.

Hauling

WARNING

Be sure vehicle and all contents are secure before transporting a vehicle.

Never ride on the vehicle being transported.

Always remove windshield (if equipped) before transporting.

Maximum speed with sun top installed is 50mph (80 kph).

If the vehicle is to be transported at highway speeds, the sun top must be removed and the seat bottom secured. When transporting vehicle below highway speeds, check for tightness of hardware and cracks in sun top at mounting points.

The rated capacity of the trailer or truck must exceed the weight of the vehicle (see GENERAL SPECIFICATIONS for vehicle weight) and load plus 1000 lbs. (454 kg).

Secure the vehicle using ratchet tie downs.

SERVICE AND MAINTENANCE

WARNING

DO NOT attempt any type of servicing operations before reading all notes, cautions and warnings in this manual.

Any servicing requiring adjustments to be made to the powertrain while the engine is running must be made with both drive wheels raised and vehicle properly supported on jack stands.

To reduce the possibility of engine damage, never operate vehicle at full throttle for more than 4 - 5 seconds while vehicle is in a 'no load' condition.

Reduce the possibility of accidental starting by disconnecting battery at negative terminal before servicing.

Wear eye protection when working on the vehicle. Use extra care when working around battery, or using solvents or compressed air.

To reduce the possibility of causing an electrical arc, which could result in a battery explosion, turn off all electrical loads from the battery before removing battery wires.



Wrap wrenches with vinyl tape to reduce the possibility of a dropped wrench 'shorting out' a battery, which could result in an explosion.

The electrolyte in a battery is an acid solution which can cause severe burns to the skin and eyes. Treat all electrolyte spills to the body and eyes with extended flushing with clear water. Contact a physician immediately.

Any electrolyte spills should be neutralized with a solution of 2 teaspoons (10 ml) sodium bicarbonate (baking soda) dissolved in 1 quart (1 liter) of water and flushed with water.

Aerosol containers of battery terminal protectant must be used with extreme care. Insulate metal container to reduce the possibility of can contacting battery terminals which could result in an explosion.

MAINTENANCE

Read all of this manual to become thoroughly familiar with this vehicle. Pay particular attention to all Notices, Cautions, Warnings, and Dangers.

It is in the best interest of both vehicle owner and service technician to carefully follow the procedures recommended in this manual. Preventative maintenance, applied at recommended intervals, is the best guarantee for keeping the vehicle both dependable and economical.

ROUTINE MAINTENANCE

CAUTION

To prolong vehicle life, some maintenance items must be serviced more frequently on vehicles used under severe driving conditions such as extreme temperatures, extreme dust/debris conditions, or frequent use with maximum load.

To access the powertrain for routine maintenance, lift or remove the seat and remove the rear access panel. For major repair, refer to the appropriate Technician's Repair and Service Manual.

Some service procedures may require the vehicle to be lifted. Refer to LIFTING THE VEHICLE section for proper lifting procedure and safety information.

TIRE INSPECTION

Tire condition should be inspected per the Periodic Service Schedule. Inflation pressures should be checked when the tires are cool. Be sure to install the valve dust cap after checking or inflating.

BRAKES

WARNING

To reduce the possibility of severe injury or death, always evaluate pedal travel before operating a vehicle to verify braking function is present.

All driving brake tests must be done in a safe location with regard for the safety of all personnel.

NOTICE

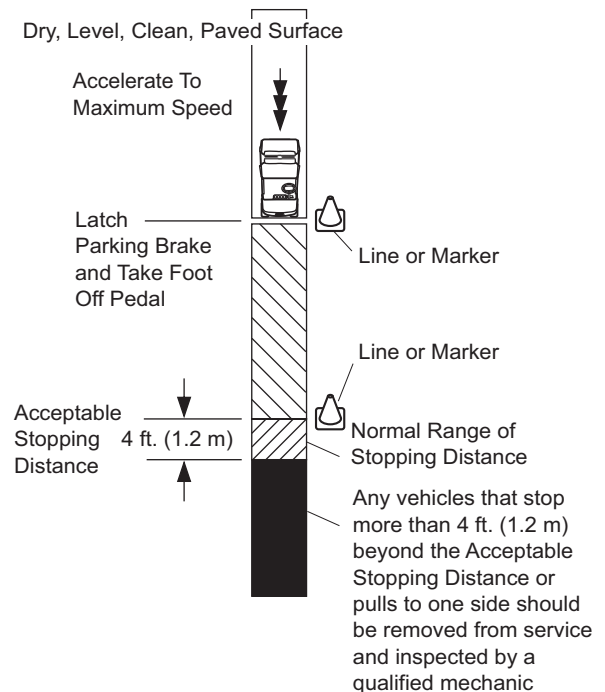
Over time, a subtle loss of performance may take place; therefore, it is important to establish the standard with a new vehicle.

The Periodic Brake Performance Test should be performed regularly as an evaluation of braking system performance. It is useful as a method of identifying subtle loss of performance over time.

Periodic Brake Test

The purpose of this test is to compare the braking performance of the vehicle to the braking performance of new or 'known to be good' vehicles or to an established acceptable stopping distance. Actual stopping distances will be influenced by weather conditions, terrain, road surface condition, actual vehicle weight (accessories installed) and vehicle speed. No specific braking distance can be reliably specified. The test is conducted by latching the park brake to eliminate different pedal pressures and to include the affects of linkage mis-adjustment.

Establish the acceptable stopping distance by testing a new or 'known to be good' vehicle and recording the stopping location or stopping distance. For fleet vehicles, several vehicles should be tested when new and the range of stopping locations or distances recorded.



Read all of this manual to become thoroughly familiar with this vehicle. Pay particular attention to all Notices, Cautions, Warnings, and Dangers.

NOTICE

Over time, a subtle loss of performance may take place; therefore, it is important to establish the standard with a new vehicle.

Drive the vehicle at maximum speed on a flat, dry, clean, paved surface. Quickly depress the brake pedal to latch the parking brake at the line or marker in the test area and remove foot from pedal. The vehicle should stop aggressively. The wheel brakes may or may not lock. Observe the vehicle stopping location or measure the vehicle stopping distance from the point at which the brakes were latched. The vehicle should stop within the 'normal' range of stopping distances. If the vehicle stops more than 4 ft. (1.2 m) beyond the acceptable stopping distance or pulls to one side, the vehicle has failed the test and should be tested again.

If the vehicle fails the second test, it should **immediately** be removed from service. The vehicle **must** be inspected by a qualified mechanic who should refer to the TROUBLESHOOTING section in the Technician's Repair and Service Manual.

LUBRICATION



CAUTION

Do not use more than three (3) pumps of grease in any grease fitting at any one time. Excess grease may cause grease seals to fail or grease migration into areas that could damage components.

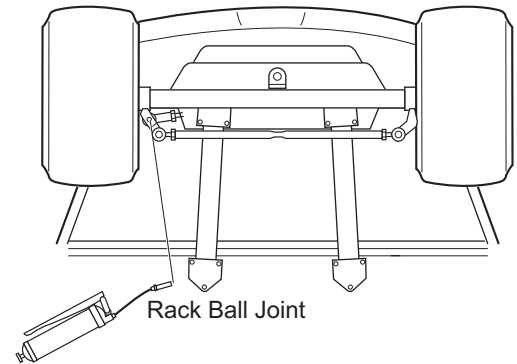
Putting more than three pumps of grease in a grease fitting could damage grease seals and cause premature bearing failure.

CAPACITIES AND REPLACEMENT PARTS

CAPACITIES	
Engine Oil	1.25 L (1.3 qt.)
Fuel Tank (Early Prod.)	5.3 gal (20 liters) 87 Octane minimum
Fuel Tank (Late Prod.)	5.6 gal (21.4 liters) 87 Octane minimum
Rear Axle Lubricant Oil	1.5 L (51 oz.)

REPLACEMENT PARTS	
Oil Filter	E-Z-GO P/N 607454
Air Filter	E-Z-GO P/N 28463G01
Spark Plug	NGK BPR2ES (E-Z-GO P/N 607462)
Starter/Gen. Belt	E-Z-GO P/N 16548G1
Clutch Belt	E-Z-GO P/N 606136
Fuse	ATC 10A (E-Z-GO P/N 35212G07)
Headlight Bulb	#894 (E-Z-GO P/N 74004G01)
Turn Signal Bulb	#912-NA (E-Z-GO P/N 74005G01)
Taillight Bulb	2057 (E-Z-GO P/N 604311)

Lubrication Points



View from Underside of Vehicle







MAINTENANCE

Read all of this manual to become thoroughly familiar with this vehicle. Pay particular attention to all Notices, Cautions, Warnings, and Dangers.

HARDWARE

Generally, three classes of standard hardware and three classes of metric hardware are used in the vehicle. Grade 5 hardware can be identified by the three marks on the hexagonal head; grade 8 hardware is identified by six marks on the head; grade 2 hardware is unmarked. The class specification is marked on metric hardware.

Periodically, the vehicle should be inspected for loose fasteners. Fasteners should be tightened with care and in accordance with the Torque Specifications table or as specified in the Repair and Service Manual for this vehicle.

ALL TORQUE FIGURES ARE IN FT. LBS. (Nm)										
Unless otherwise noted in text, tighten all hardware in accordance with this chart.										
This chart specifies 'lubricated' torque figures. Fasteners that are plated or lubricated when installed are considered 'wet' and require approximately 80% of the torque required for 'dry' fasteners.										
BOLT SIZE	1/4"	5/16"	3/8"	7/16"	1/2"	9/16"	5/8"	3/4"	7/8"	1"
Grade 2 	4 (5)	8 (11)	15 (20)	24 (33)	35 (47)	55 (75)	75 (102)	130 (176)	125 (169)	190 (258)
Grade 5 	6 (8)	13 (18)	23 (31)	35 (47)	55 (75)	80 (108)	110 (149)	200 (271)	320 (434)	480 (651)
Grade 8 	6 (8)	18 (24)	35 (47)	55 (75)	80 (108)	110 (149)	170 (230)	280 (380)	460 (624)	680 (922)
BOLT SIZE	M4	M5	M6	M8	M10	M12	M14			
Class 5.8  (Grade 2)	1 (2)	2 (3)	4 (6)	10 (14)	20 (27)	35 (47)	55 (76.4)			
Class 8.8  (Grade 5)	2 (3)	4 (6)	7 (10)	18 (24)	35 (47)	61 (83)	97 (131)			
Class 10.9  (Grade 8)	3 (4)	6 (8)	10 (14)	25 (34)	49 (66)	86 (117)	136 (184)			

Torque Specifications and Bolt Grades

FOUR CYCLE ENGINE

Engine Specifications

Engine Model FJ400D
 Type Four Cycle, OHV
 Number of Cylinders 1
 Displacement 401 cc
 Rated Horsepower 13 hp

Spark Plug Type NGK BPR2ES
 Spark Plug Gap028" - .031" (.70 - .80 mm)
 Cooling Forced Air Cooled
 Oil Filter Cartridge Type Full Flow
 Oil Pump Positive Displacement

Engine Description

The engine is an air cooled, 4-stroke, OHV, single cylinder gasoline engine. It incorporates a pressure fed lubrication positive displacement oil pump with a cartridge type full flow oil filter and a counter rotating balance shaft.

Read all of this manual to become thoroughly familiar with this vehicle. Pay particular attention to all Notices, Cautions, Warnings, and Dangers.

Checking the Oil Level

CAUTION

Do not overfill engine. Too much oil may cause engine to smoke or cause spark plug fouling.

Do not overfill engine. Too much oil may cause smoking or allow oil to enter the air filter enclosure.

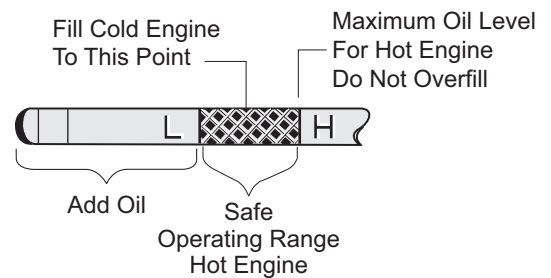
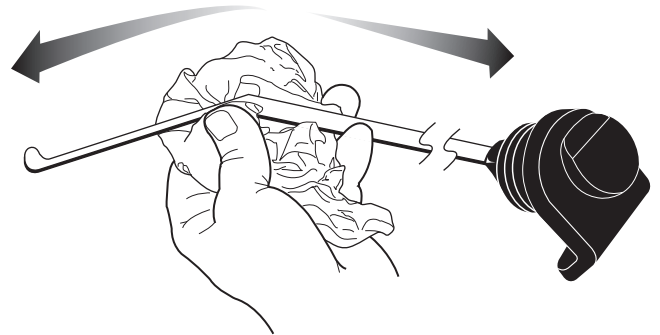
The oil should be checked with the engine warm and vehicle parked on a level surface with the parking brake engaged. Allow oil to drain into crankcase before checking.

Remove the dipstick and wipe off the entire area with a lint free cloth.

Insert the dipstick **fully** into the dipstick hole and remove. Examine the level of the oil on the dipstick.

The engine can be operated safely as long as oil is within the safe operating range as indicated on the dip stick. **Do not operate vehicle if oil level is below the safe area indicated on the dipstick.**

Oil should be added to bring the level into the safe operating range. Remember that oil expands as it gets hot, **Do not overfill**. Check that the oil cap is firmly in place.



NOTICE

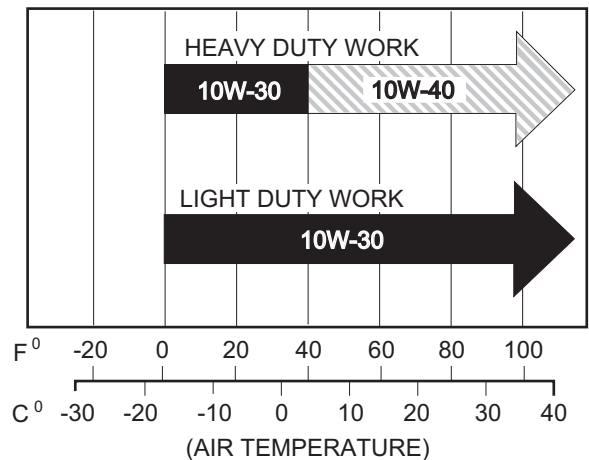
The oil dipstick/fill cap must be in place before operating the engine. Failure to install the dipstick/fill cap will result in oil becoming contaminated and/or oil being discharged into the engine compartment.

Changing the Oil

Tool List	Qty.	Tool List	Qty.
Socket, 19 mm	1	Oil Filter Wrench	1
Ratchet.....	1	Oil Drain Pan.....	1
Extension, 8"	1		

For maximum performance and longevity, the engine oil should be replaced after the first 8 hours of operation. After the initial oil change, it should be changed every 125 hours of operation or semi-annually, whichever comes first.

The selection of oil is dependent upon the service that the vehicle will perform. Most vehicles require 10W-30 oil, whereas vehicles used at capacity or near capacity load applications will utilize 10W-40 oil after a break-in period of 100 hours.



MAINTENANCE

Read all of this manual to become thoroughly familiar with this vehicle. Pay particular attention to all Notices, Cautions, Warnings, and Dangers.

NOTICE

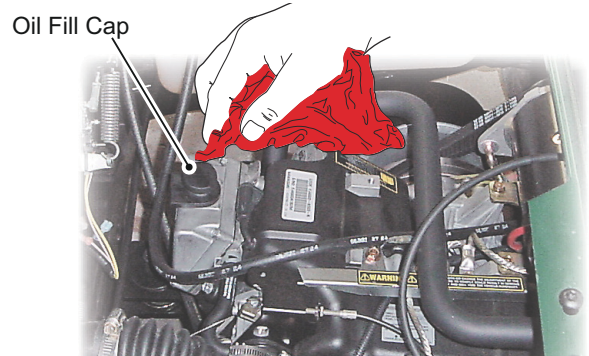
If vehicle is to be stored over winter months, it can be stored with old oil left in engine. The oil should be changed as part of spring maintenance to remove any moisture that has accumulated during storage.

⚠ WARNING

Be aware that engine fluids may be hot and contact to the skin may cause severe burns. Wear rubber gloves to protect skin from exposure to the old oil and degreaser.

The oil should be changed with engine warm. Park vehicle on a level surface, engage parking brake and remove key.

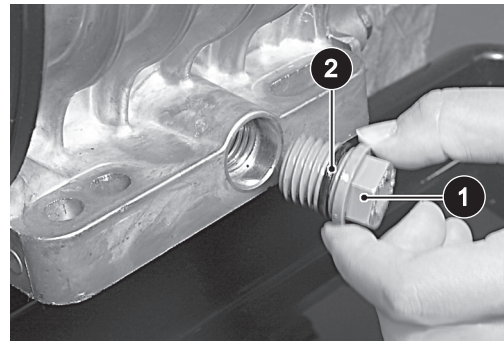
Place a drain pan under engine. Wipe top of the engine clean with a cloth. Remove the oil fill cap.



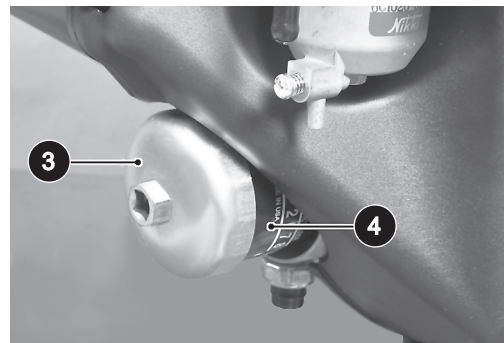
⚠ WARNING

Be careful of hot oil when drained. It may be hot enough to burn you severely

Place the oil drain pan under the oil drain plug (1) found at the rear of the engine base. Remove the drain plug (1), allow the oil to drain into the pan. At the first oil change, **small** metal chips and lint may be found. This is normal, resulting from the break-in period. Inspect the filter at every oil change. The presence of large metal chips could indicate possible damage to the engine. Before installing the drain plug, clean the area around the drain hole with a lint free cloth and inspect the drain plug (1) for damage; replace if necessary. If the O-ring (2) on the drain plug is damaged replace it with a new one. Tighten the drain plug to 62 in. lbs (7 Nm) torque.



Clean the area around filter. Use a filter wrench (3) to remove the filter (4) from the engine and allow the oil to drain.

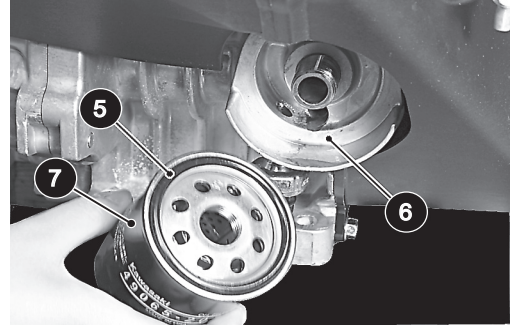


MAINTENANCE

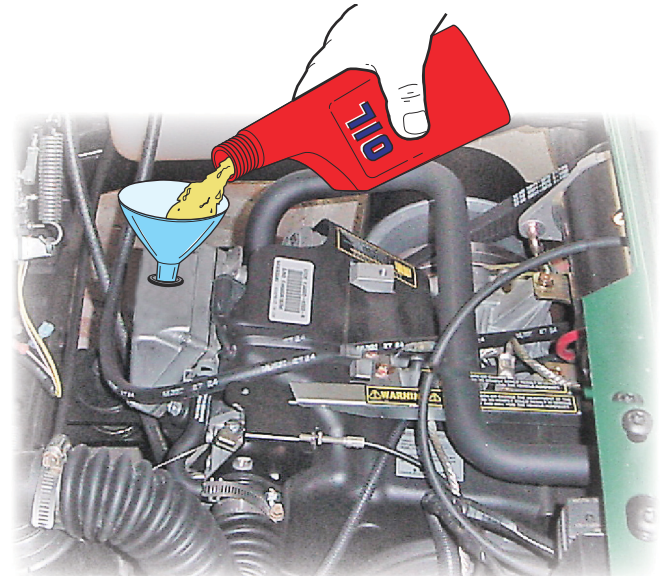
Read all of this manual to become thoroughly familiar with this vehicle. Pay particular attention to all Notices, Cautions, Warnings, and Dangers.

The O-ring (5) may have remained on engine (6) or filter (7). If the O-ring (5) remained on the engine surface (6), remove it and discard with the filter (7).

Inspect the new oil filter for any defects, apply engine oil to the oil filter O-ring (5) and install oil filter onto the engine until the seal contacts mounting surface of the engine. Then turn the filter 2/3 to 3/4 rotations by HAND(S). Pour in the specified type and amount of oil. See CAPACITIES AND REPLACEMENT PARTS on page 29.



Oil capacity is 1 1/3 quarts (1.3 liters). Add slightly less than 1 1/3 quarts (1.3 liters) to allow for possible residual oil left in engine. The oil must be high quality oil that meets or exceeds API SF, SG, CC standards. Check oil level on dipstick. Oil should be slightly below 'H' to allow for expansion. If necessary, continue to add oil slowly and allow time for oil to flow down into engine. Check oil level on dipstick. **Do not overfill.**



CAUTION

Do not overfill engine. Too much oil may cause smoking or allow oil to enter the air filter enclosure.

NOTICE

Both the oil dipstick and fill cap must be in place before operating the engine. Failure to install the dipstick and fill cap will result in oil being discharged into the engine compartment

As a final check, check the oil level again with the vehicle on level ground. Like all liquids, oil increases in volume when warm. The full 'H' mark on the dipstick is calibrated for an engine at operating temperature. When the engine is cold, the oil will be below the full mark. The engine can be operated safely as long as the oil is within the safe operating range as indicated on the dipstick. **Do not operate vehicle if oil level is below the safe area indicated on the dipstick.**

Starter/Generator Belt Tension

Tool List

Belt Tension Gauge.....	1
Wrench, 3/4"	1
Wrench, 9/16"	2

Qty. Required

Ratchet	1
Socket, 3/4".....	1

The starter/generator belt tension should be checked after the first 15 - 20 hours and set to 75 - 80 lbs. (34 - 36 kg).

WARNING

At no time during installation of belt, should the belt tension exceed 160 lbs (73 kg).

CAUTION

At the time of installation, the belt must not be rolled over the installed edges of the starter/generator or drive clutch pulleys. Excessive stretch in belt may cause cord failure.

MAINTENANCE

Read all of this manual to become thoroughly familiar with this vehicle. Pay particular attention to all Notices, Cautions, Warnings, and Dangers.

NOTICE

A loose belt can cause audible vibration and squeal.

Tighten a **new** starter/generator belt to 110 - 130 lbs. (50 - 59 kg) tension when a gauge is applied half way between the two pulleys.

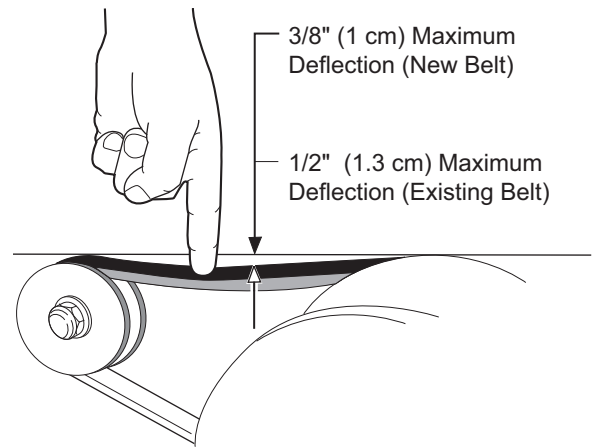
A **new** belt may be checked manually. A maximum deflection of 3/8" (10 mm) is acceptable. Tighten an **existing** belt to 75 - 80 lbs. (34 - 36 kg) tension using the same technique and inspect for cracking or wear. A maximum deflection of 1/2" (13 mm) is acceptable.

Adjusting the Belt

Loosen the starter/generator pivot bolt.

While holding the lower adjusting nut with a wrench, loosen the upper jam nut with another wrench. Move the lower nut up or down the adjustment bolt until proper belt tension is achieved. Hold the lower nut in place and tighten the upper jam nut against it.

Tighten the starter/generator pivot bolt.



BATTERY CLEANING



CAUTION

To reduce the possibility of damage to vehicle or floor, neutralize acid before rinsing battery.

To reduce the possibility of damage to electrical components while cleaning, do not use a pressure washer.

Cleaning should take place per the PERIODIC SERVICE SCHEDULE.

When cleaning the outside of the battery and terminals, first spray with a solution of sodium bicarbonate (baking soda) and water to neutralize any acid deposits before rinsing with clear water.

Use of a water hose without first neutralizing any acid, will move acid from the top of the battery to another area of the vehicle or storage facility where it will attack the metal structure or the concrete/asphalt floor. Additionally, a residue will be left on the battery which is conductive and will contribute to the discharge of the battery.



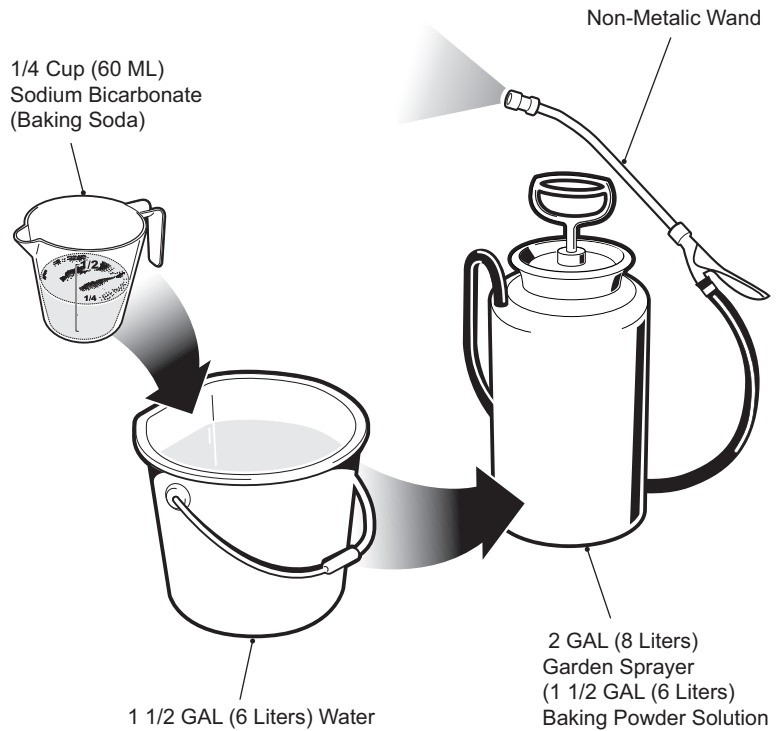
WARNING

To reduce the possibility of a battery explosion that could result in severe injury or death, do not use metallic spray wand to clean battery and keep all smoking materials, open flame or sparks away from the battery.

Read all of this manual to become thoroughly familiar with this vehicle. Pay particular attention to all Notices, Cautions, Warnings, and Dangers.

The correct cleaning technique is to spray the top and sides of the battery with a solution of sodium bicarbonate (baking soda) and water. This solution is best applied with a garden type sprayer equipped with a **non metallic spray wand or a plastic spray bottle**. The solution should consist of the amounts of sodium bicarbonate (baking soda) and clear water shown below. In addition to the battery, special attention should be paid to metal components adjacent to the battery which should also be sprayed with the sodium bicarbonate (baking soda) solution.

Allow the solution to sit for at least three minutes; use a soft bristle brush or cloth to wipe the tops of the battery to remove any residue that could contribute to the self discharge of the battery. Rinse the entire area with low pressure clear water. Do not use a pressure washer.

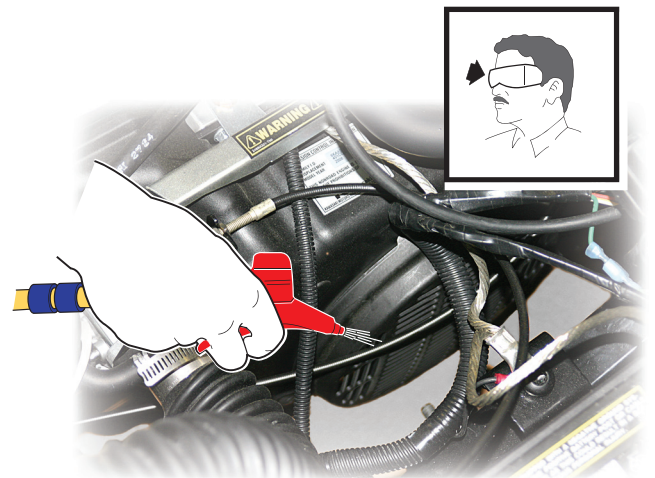


AIR INTAKE AND COOLING FINS

WARNING

To prevent possible burns, engine parts should be kept clean to reduce risk of overheating and ignition of accumulated debris. After every off road use, allow to cool and then check for a build up of dirt and debris in the air intake and cooling fins. Dirt and debris may clog the engine's air cooling system. Clean areas shown to prevent engine damage. Keep linkages, springs and controls clean. Keep area around muffler free of any combustible material.

At least once a year, (or more often under adverse conditions) the cooling system should be cleaned. Cleaning will assure an adequate supply of air to the cooling fins. Compressed air may be used for routine cooling system maintenance.



MAINTENANCE

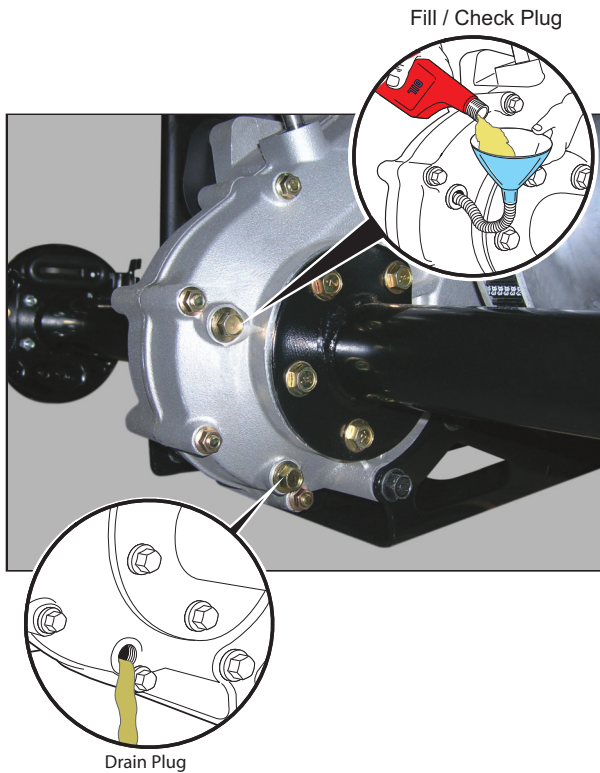
Read all of this manual to become thoroughly familiar with this vehicle. Pay particular attention to all Notices, Cautions, Warnings, and Dangers.

REAR AXLE

The rear axle is provided with a lubricant level check plug located on the driver side at the rear of the housing. Unless leakage of rear axle lubricant is evident, an annual lubricant check is sufficient.

Checking the Lubricant Level

Tool List	Qty. Required
Socket, 13 mm.....	1
Ratchet.....	1
Funnel.....	1



Clean the area around the check and fill plugs. Remove the check plug. The correct lubricant level is **just** below the bottom of the threaded hole. If lubricant is to be added, remove the fill plug and add lubricant using a funnel. Add lubricant slowly until lubricant starts to seep from the check plug hole. Install the check plug and the fill plug. In the event that the lubricant is to be replaced, a drain plug is provided at the bottom of the differential housing.

AIR CLEANER INSPECTION AND REPLACEMENT

The air cleaner unit on the vehicle is a dry unit. **Do not** use oil on the filter element or any part of the unit. To aid installation and sealing, petroleum jelly may be applied to back side of cover tabs and each side of filter seal.

Cleaning the Air Filter Element



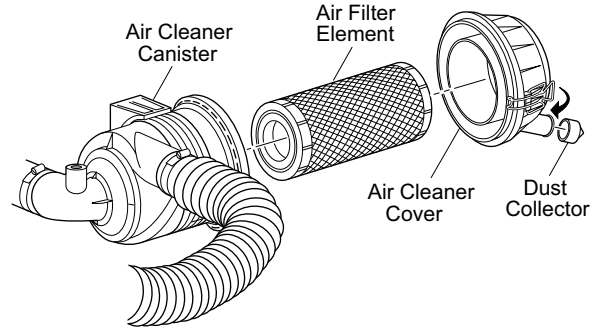
CAUTION

Do not use compressed air to clean the air filter; doing so will damage the filter which may result in damage to the engine.

Read all of this manual to become thoroughly familiar with this vehicle. Pay particular attention to all Notices, Cautions, Warnings, and Dangers.

The air cleaner element is accessible by unsnapping the clips on the air canister and removing the cover and air filter element. Clean inside of cover, canister and dust collector. Install the element and cover the same way they were removed. Be sure the positioning arrow on cover is pointing upward and all clips are fastened securely.

If the element is in acceptable condition, loose dirt may be removed by tapping the filter lightly. Do not use oil on the filter element or any part of the unit.



SPARK PLUG

Tool List

Qty. Required

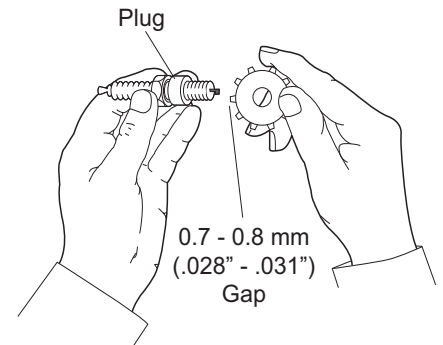
Spark Plug Socket, 13/16"	1	Anti-Seize Compound	AR
Ratchet.....	1	Torque Wrench, ft. lbs.	1
Plug Gauge, WireType.....	1		

⚠ CAUTION

Use care not to over tighten the plug. Over tightening can cause damage to the aluminum cylinder head threads.

Remove and inspect the spark plug at intervals indicated in the Periodic Service Schedule. Spark plug should be properly gapped. Tighten to 16 ft. lbs. (22 Nm) torque.

A fouled spark plug is indicated by a wet, black appearance. This could be caused by a dirty air filter element or other restrictions in the air intake system. Incorrectly adjusted valves, a spark plug wire in poor condition, or poor quality fuel could also contribute to the problem.



PROLONGED STORAGE

⚠ WARNING

To prevent a possible explosion, do not handle fuel in an area that is not adequately ventilated. Do not smoke near the fuel tank or refuel near open flame or electrical items which could produce a spark.

Store vehicle in a clean, dry area. Do not store in same area as a stove, furnace, water heater, or other appliance that uses a pilot light or has a device that can create a spark.

When refueling, inspect the fuel cap for leaks or breaks that could result in fuel spillage.

Always wear safety glasses while refueling to prevent possible eye injury from gasoline or gasoline vapor.

Keep hands, clothing and jewelry away from moving parts. Use care not to contact hot objects. Raise the rear of the vehicle and support on jack stands before attempting to run the engine.

MAINTENANCE

Read all of this manual to become thoroughly familiar with this vehicle. Pay particular attention to all Notices, Cautions, Warnings, and Dangers.

Preparing the engine for a prolonged storage period (30 days or more) requires a few steps to prevent a build up of varnish and gum in the carburetor and corrosion in the engine.

1. Raise the rear of the vehicle and support on jack stands. Refer to LIFTING THE VEHICLE on page 22 for proper lifting procedure and safety information.
2. Disconnect the fuel hose at the fuel tank and plug hose.
3. With proper ventilation, depress the accelerator pedal and allow engine to run until it stops due to lack of fuel.
4. Remove spark plug and pour about 1 oz. (30 ml) of engine oil into the cylinder. Replace spark plug, ground spark plug wire and use starter to turn engine over a few seconds to distribute oil.
5. Add a gasoline additive to the tank in accordance with the manufacturer's recommendations.
6. Reattach fuel line to tank and drive the vehicle for several minutes to circulate the additive through the carburetor.
7. While engine is still warm, change oil.
8. Clean body, chassis and engine of debris, mud, chaff or grass.

MAINTENANCE

Read all of this manual to become thoroughly familiar with this vehicle. Pay particular attention to all Notices, Cautions, Warnings, and Dangers.

PERIODIC SERVICE SCHEDULE

Read all of this manual to become thoroughly familiar with this vehicle. Pay particular attention to all Notices, Cautions, Warnings, and Dangers.

PERIODIC SERVICE SCHEDULE

PERIODIC SERVICE SCHEDULE

✓ Check ♦ Clean, Adjust, etc. ▲ Replace To perform service that is listed in this schedule but not described in this manual, contact a local Service Representative or see the Repair and Service Manual for this vehicle. NOTE: Some maintenance items must be serviced more frequently on vehicles used under severe driving conditions	
DAILY	
BEFORE USE:	
	<ul style="list-style-type: none"> ✓ Check service brake general operation ✓ Check park brake operation - does it hold on a hill. ✓ Check warning device function in reverse ✓ Check tire pressure, condition of tires & rims. ✓ Check smooth operation of accelerator. ✓ Check for loose or missing hardware. ✓ Check Battery - state of charge, condition, loose terminals, corrosion, hold down & hardware ✓ Check overall vehicle condition
WEEKLY (includes items listed in previous table & the following)	
TIRES	✓ Examine for cuts, excessive wear and pressure (See GENERAL SPECIFICATIONS)
WHEELS	✓ Check for bent rims, missing or loose lug nuts
COOLING FAN	✓ Check for build-up of foreign matter inside blower housing and fins, clean if required
ENGINE OIL	✓ Check and add if required - DO NOT OVERFILL
STARTER/GENERATOR BELT	✓ Check for tension, wear, cracks
MONTHLY - 20 HOURS (includes items listed in previous table & the following)	
WIRING	✓ Check all wiring for loose connections and broken/missing insulation
ACCELERATOR	✓ Check for smooth movement - DO NOT LUBRICATE CABLE
SERVICE BRAKE	✓ Conduct brake performance test
PARK BRAKE	✓ Check brake performance and adjust if required
CHOKE CABLE	✓ Check for smooth movement and adjustment - DO NOT LUBRICATE CABLE
CARBURETOR LINKAGE	✓ Check attachment, adjust as required
DIRECTION SELECTOR	✓ Check attachment, adjust as required
ENGINE	✓ Check for unusual noise, vibration, acceleration, oil leaks
COOLING FAN	✓ Check for build-up of foreign matter inside blower housing and fins, clean if required
STEERING ASSEMBLY	✓ Check for abnormal play, tightness of all hardware
TIE ROD/LINKAGES	✓ Check for excessive play, bent components or loose connections
REAR AXLE	✓ Check for leakage, add SAE 30 oil as required
QUARTERLY - 60 HOURS (includes items listed in previous tables & the following)	
FRONT AXLE	✓ Check for damage to axle and loose or missing hardware
FRONT SHOCK ABSORBERS	✓ Check for oil leakage and loose fasteners
FRONT SPRINGS	✓ Check for loose hardware, cracks at attachments
FRONT WHEEL ALIGNMENT	✓ Check for unusual tire wear, align if required

PERIODIC SERVICE SCHEDULE

Read all of this manual to become thoroughly familiar with this vehicle. Pay particular attention to all Notices, Cautions, Warnings, and Dangers.

PARK BRAKE	<ul style="list-style-type: none"> ✓ Check for bent/binding linkage rod ✓ Check for damage or wear to latch arm or catch bracket ◆ Lubricate as required, use light oil. DO NOT LUBRICATE CABLES OR BRAKE LATCH
REAR SHOCK ABSORBERS	<ul style="list-style-type: none"> ✓ Check for oil leakage, loose mounting hardware
ENGINE ELECTRICAL SYSTEM	<ul style="list-style-type: none"> ✓ Check coil/spark plug wires for cracks/loose connections
FUEL SYSTEM	<ul style="list-style-type: none"> ✓ Check for leaks at tank, cap, system lines, filters, pump, carburetor ✓ Check system lines for cracks/deterioration
THROTTLE/GOVERNOR LINKAGE	<ul style="list-style-type: none"> ✓ Check operation and governed speed
HARDWARE AND FASTENERS	<ul style="list-style-type: none"> ✓ Check for loose or missing hardware and components ◆ Tighten or replace missing hardware
SEMI-ANNUAL - 125 HOURS (includes items listed in previous tables & the following)	
BATTERY	<ul style="list-style-type: none"> ◆ Clean battery & terminals
DIRECTION SELECTOR	<ul style="list-style-type: none"> ✓ Check for wear and smooth movement (lubricate shaft with light oil if required)
KING PINS	<ul style="list-style-type: none"> ✓ Check for excessive play and tightness of retaining nuts
STEERING ASSEMBLY	<ul style="list-style-type: none"> ✓ Check bellows and pinion seal for damage or grease leakage
RACK END BALL JOINT	<ul style="list-style-type: none"> ◆ Lubricate, use wheel bearing grease
REAR AXLE	<ul style="list-style-type: none"> ✓ Check for unusual noise and loose or missing mounting hardware
AIR FILTER ELEMENT	<ul style="list-style-type: none"> ✓ Check filter element, clean/replace as required
OIL FILTER	<ul style="list-style-type: none"> ▲ Replace (at oil change)
ENGINE OIL	<ul style="list-style-type: none"> ▲ Replace with SAE 10W-30 or 10W-40 that meets or exceeds SF, SG, CC oil, DO NOT OVERFILL
DRIVE BELT	<ul style="list-style-type: none"> ✓ Check for cracks, fraying and excessive wear
ANNUAL - 250-300 HOURS (includes items listed in previous tables & the following)	
FRONT WHEEL BEARINGS	<ul style="list-style-type: none"> ✓ Check and adjust as required, see Technician's Repair and Service Manual
REAR AXLE	<ul style="list-style-type: none"> ✓ Check lubricant, add lubricant (Ref. Fig. 32 on page -23) as required
SERVICE BRAKES	<ul style="list-style-type: none"> ◆ Clean and adjust, see Technician's Repair and Service Manual ✓ Check brake shoe linings, see Technician's Repair and Service Manual
FUEL FILTER	<ul style="list-style-type: none"> ▲ Replace
SPARK PLUG	<ul style="list-style-type: none"> ▲ Replace, gap new plug (Ref. Fig. 32 on page -23)
MUFFLER/EXHAUST	<ul style="list-style-type: none"> ✓ Check mounting hardware; check for leaks at head and muffler gaskets
VALVES	<ul style="list-style-type: none"> ✓ Check cold (intake/exhaust) per Technician's Repair and Service Manual
500 HOURS (includes items listed in previous tables & the following)	
CARBURETOR	<ul style="list-style-type: none"> ◆ Clean
CYLINDER HEAD AND PISTON	<ul style="list-style-type: none"> ◆ Remove carbon from cylinder head and piston ✓ Check valve seats for carbon buildup and clean as required

Read all of this manual to become thoroughly familiar with this vehicle. Pay particular attention to all Notices, Cautions, Warnings, and Dangers.

APPENDIX A

DECLARATION OF CONFORMITY

APPENDIX A


Read all of this manual to become thoroughly familiar with this vehicle. Pay particular attention to all Notices, Cautions, Warnings, and Dangers.

**DECLARATION OF CONFORMITY • ДЕКЛАРАЦИЯ ЗА СЪОТВЕТСТВИЕ • PROHLÁŠENÍ O SHODĚ •
 OVERENSSTEMMELSESERKLÆRING • CONFORMITEITSVERKLARING • VASTAVUSDEKLARATSIOON •
 VAATIMUSTENMUKAISUUSVAKUUTUS • DECLARATION DE CONFORMITE • KONFORMITÄTSEKTLÄRUNG • ΔΗΛΩΣΗ
 ΣΥΜΜΟΡΦΩΣΗΣ • MEGFELELŐSÉGI NYILATKOZAT • DICHIARAZIONE DI CONFORMITÀ • ATBILSTĪBAS DEKLARĀCIJA •
 ΑΤΙΤΙΚΤΙΕΣ ΔΕΚΛΑΡΑΚΙΑ • DIKJARAZZJONI TAL-KONFORMITĀ • DEKLARACJA ZGODNOŚCI • DECLARAÇÃO DE
 CONFORMIDADE • DECLARAȚIE DE CONFORMITATE • VYHLÁSENIE O ZHODE • IZJAVA O SKLADNOSTI • DECLARACIÓN DE
 CONFORMIDAD • DEKLARATION OM ÖVERENSSTÄMMELSE • SAMRÆMISYFIRLÝSING • KONFORMITETSERKLÆRING •
 符合性声明 • SAMRÆMISYFIRLÝSING • 適合宣言 • 적합성 선언서 • UYGUNLUK BEYANI • ДЕКЛАРАЦІЯ ПРО ВІДПОВІДНІСТЬ**

<p>Business name and full address of the manufacturer • Търговско име и пълен адрес на производителя • Obchodní jméno a plná adresa výrobce • Producentens firmanavn og fulde adresse • Bedrijfsnaam en volledig adres van de fabrikant • Tootja ärinimi ja täielik aadress • Valmistajan toiminimi ja täydellinen osoite • Nom commercial et adresse complète du fabricant • Firmennamen und vollständige Adresse des Herstellers • Εταιρεία και ταχυδρομική διεύθυνση κατασκευαστή • A gyártó üzleti neve és teljes címe • Ragione sociale e indirizzo completo del fabbricante • Uzņēmuma nosaukums un pilna ražotāja adrese • Verslo pavadinimas ir pilnas gamintojo adresas • Isem kummerčialni u indirizz shih tal-fabbrikant • Nazwa firmy i pełny adres producenta • Nome da empresa e endereço completo do fabricante • Denumirea comercială și adresa completă a producătorului • Obchodný názov a úplná adresa výrobcu • Naziv podjetja in polni naslov proizvajalca • Nombre de la empresa y dirección completa del fabricante • Tillverkarens företagsnamn och kompletta adress • Fyrirtækisheiti og fullt heimilisfang framleiðanda • Firmanavn og full adresse for produsenten • 製造商の商業名称和完整地址 • Nafn fyrirtækis og fullt heimilisfang framleiðanda • 商号およびメーカーの正式住所 • 제조자의 상호명 및 주소 • Imalatçının ticari ünvanı ve açık adresi • Фірмове найменування і повна адреса виробника</p>	<p>E-Z-GO Division of Textron Inc. 1451 Marvin Griffin Road Augusta, GA 30906 USA</p>
<p>Product Code • Код на продукта • Kód výrobku • Produktkode • Toote kood • Tuotekoodi • Code produit • Produktcode • Кодικός προϊόντος • Termékkód • Codice prodotto • Produkta kods • Produkto kodas • Kodič tal-Prodott • Kod produktu • Código do Produto • Cod produs • Kód výrobku • Oznaka proizvoda • Código de producto • Produktkod • Vörunúmer • Produktkode • 产品代码 • Framleiðslunúmer • 製品コード • 제품 코드 • Ürün Kodu • Код виробу</p>	<p>614164,614374,612946,614173 and 614439 when fitted with CE Kit 614168. 625111, 625113 and 625115 when fitted with CE Kit 634296.</p>
<p>Machine Name • Наименование на машината • Název stroje • Maskinnavn • Machinenaam • Masina nimi • Laitteen nimi • Nom de la machine • Maschinenbezeichnung • Ονομασία μηχανήματος • Gérvn • Denominazione della macchina • Iekārtas nosaukums • Mašinos pavadinimas • Isem tal-Magna • Nazwa urządzenia • Nome da Máquina • Numele echipamentului • Název stroja • Naziv stroja • Nombre de la máquina • Maskinens namn • Heiti tækis • Maskinnavn • 机器名称 • Nafn vélar • 機械名 • 기기 명칭 • Makine Adı • Назва машини</p>	<p>TXT Fleet, Freedom and 2+2 personal transport vehicles (gas)</p>
<p>Designation • Предназначение • Označení • Betegnelse • Benaming • Nimetus • Tyypimerkintä • Pažymėjimas • Bezeichnung • Χαρακτηρισμός • Megnevezés • Funzione • Apzīmējums • Lithuanian • Denominazzjoni • Oznaczenie • Designação • Specificație • Označenie • Namen stroja • Descripción • Beteckning • Merking • Konstruksjon • 名称 • Útnefning • 用途 • 지정 • Tanım • Позначення</p>	<p>Golf Car and Personal Transport vehicles; E-Z-GO brand</p>
<p>Serial Number • Серийн номер • Sériové číslo • Seriennummer • Seriennummer • Seerianumber • Valmistusnumero • Numéro de série • Seriennummer • Σειριακός αριθμός • Sorozatszám • Numero di serie • Sérijas numurs • Serijos numeris • Numru Serjali • Numer serjyny • Número de Série • Număr de serie • Sériové číslo • Serijska številka • Número de serie • Seriennummer • Raðnúmer • Seriennummer • 序列号 • Raðnúmer • シリアル番号 • 일련 번호 • Seri Numarası • Серійний номер</p>	<p>2839700 - 3400000</p>
<p>Conforms to Directives • В съответствие с директивите • Spiluje podminky směrníc • Er i overensstemmelse med direktiver • Voldoet aan de richtlijnen • Vastab direktiividele • Direktiivien mukainen • Conforme aux directives • Entspricht Richtlinien • Ακολουθώ τις Οδηγίες • Megfelel az irányelveknek • Conforme alle Direttive • Atbilst direktīvām • Atitinka direktyvų reikalavimus • Valutazzjoni tal-Konformità • Dyrektywy związane • Cumpre as Directivas • Respectă Directivele • Je v súlade so smernicami • Skladnost z direktivami • Cumpre con las Directivas • Uppfyller direktiv • Samræmist tilskipunum • I samsvær med direktiv • 符合指令 • Í samræmi við reglugerðir • 適合指令 • 규정 준수 • Şu Yönelgelere Uymaktadır • Відповідає директиві</p>	<p>2006/42/EC 2004/108/EC</p>
<p>Conformity Assessment • Оценка за съответствие • Hodnocení plnění podmínek • Overensstemmelsesvurdering • Conformiteitsbeoordeling • Vastavushindamine • Vaatimustenmukaisuuden arviointi • Evaluation de conformité • Konformitätsbeurteilung • Διαπιστωση Συμμόρφωσης • Megfelelőség-értékelés • Valutazione della conformità • Atbilstības novērtējums • Atitikties įvertinimas • Livell tal-Qawwa tal-Fios Imkejjel • Ocena zgodności • Avaliação de Conformidade • Evaluarea conformității • Vyhodnotenie zhodnosti • Ocena skladnosti • Evaluación de conformidad • Bedöming av överensstämmelse • Samræmistat • Konformitetsvurdering • 符合性评估 • Samræmistat • 適合性評価 • 적합성 평가 • Konformitätsbeurteilung • Διαπιστωση Συμμόρφωσης • Megfelelőség-értékelés • Valutazione della conformità • Atbilstības novērtējums • Atitikties įvertinimas • Livell tal-Qawwa tal-Fios Imkejjel • Ocena zgodności • Avaliação de Conformidade • Evaluarea conformității • Vyhodnotenie zhodnosti • Ocena skladnosti • Evaluación de conformidad • Bedöming av överensstämmelse • Samræmistat • Konformitetsvurdering • 符合性评估 • Samræmistat • 適合性評価 • 적합성 평가 •</p>	<p>2006/42/EC Annex II</p>
<p>Harmonised standards used • Използвани хармонизирани стандарти • Použité harmonizované normy • Brugte harmoniserede standarder • Gebruikte geharmoniseerde standaards • Kasutatud ühitatud standardid • Käytetyt yhdenmukaistetut standardit • Normes harmonisées utilisées • Angewandte harmonisierte Normen • Ευρωπαϊκά πρότυπα που χρησιμοποιήθηκαν • Harmonizált szabványok • Standard armonizzati applicati • Izmantotie saskaņotie standarti • Panaudoti suderinti standartai • Standards armonizzati usati • Normy spóejne powiązane • Normas harmonizadas usadas • Standardele armonizate utilizate • Použité harmonizované normy • Uporabljeni usklajeni standardi • Estándares armonizados utilizados • Harmoniserade standarder som används • 所采用的协调标准 • Samstilltir staðlar notaðir • 整合規格 • 적용되는 조화 표준 • Kullilanil uyumlu standartlar • Використані гармонізовані стандарти</p>	<p>EN 61000-6-2: 2005 EN 61000-6-4: 2007 EN ISO 5349: 2001 EN ISO 11202: 2010</p>
<p>Technical standards and specifications used • Използвани технически стандарти и спецификации • Použité technické normy a specifikace • Brugte tekniske standarder og specifikationer • Gebruikte technische standaards en specificaties • Kasutatud tehnilised standardid ja spetsifikatsioonid • Käytetyt tekniset standardit ja eritelmät • Specifications et normes techniques utilisées • Angewandte technische Normen und Spezifikationen • Τεχνικά πρότυπα και προδιαγραφές που χρησιμοποιήθηκαν • Műszaki szabványok és specifikációk • Standard tecnici e specifiche applicati • Izmantotie tehniskie standarti un specifikācijas • Panaudoti techniniai standartai ir techninė informacija • Standards u specifikazzjonijiet tehnici uzati • Normy i specyfikacje techniczne powiązane • Normas técnicas e especificações usadas • Standardele tehnice și specificațiile utilizate • Použité technické normy a specifikácie • Uporabljeni tehnični standardi in specifikacije • Estándares y especificaciones técnicas utilizadas • Tekniska standarder och specifikationer som används • Samræmdir staðlar sem notaðir eru • Benyttede harmoniserete standarder • 所采用的技术标准和规范 • Teknistaðlar og -kröfur notaðar • 技術規格および仕様書 • 적용되는 기술 표준 및 규정 • Kullilanil teknik standartlar ve sarfnameler •</p>	<p>ISO 2631-1: 1997</p>
<p>The place and date of the declaration • Место и дата на декларацията • Místo a datum prohlášení • Sted og dato for erklæringen • Plaats en datum van de verklaring • Deklaratsiooni väljastamise koht ja kuupäev • Vakuutuksen paikka ja päiväys • Lieu et date de la déclaration • Ort und Datum der Erklärung • Τόπος και ημερομηνία δήλωσης • A nyilatkozat kelte (hely és idő) • Luogo e data della dichiarazione • Deklarācijas vieta un datums • Deklaracijos vieta ir data • Il-post u d-data tad-dikjarazzjoni • Miejsce i data wystawienia deklaracji • Local e data da declaração • Locul și data declarției • Miesto a dátum vyhlášení • Kraj in datum izjave • Lugar y fecha de la declaración • Plats och datum för deklarationen • Teknistaðlar og tæknifýsingar sem notaðar eru • Benyttede tekniske standarder og spesifikasjoner • Staður og dagsetning yfirlýsingar • Sted og dato for erklæringen • 声明的地点与日期 • Staður og dagsetning yfirlýsingarinnar • 宣言場所および日付 • 선언 장소 및 일자 • Beyan yeri ve tarihi • Місце і дата укладення декларації</p>	<p>E-Z-GO Division of Textron Inc. 1451 Marvin Griffin Road Augusta, GA 30906 USA</p>

APPENDIX A

Read all of this manual to become thoroughly familiar with this vehicle. Pay particular attention to all Notices, Cautions, Warnings, and Dangers.

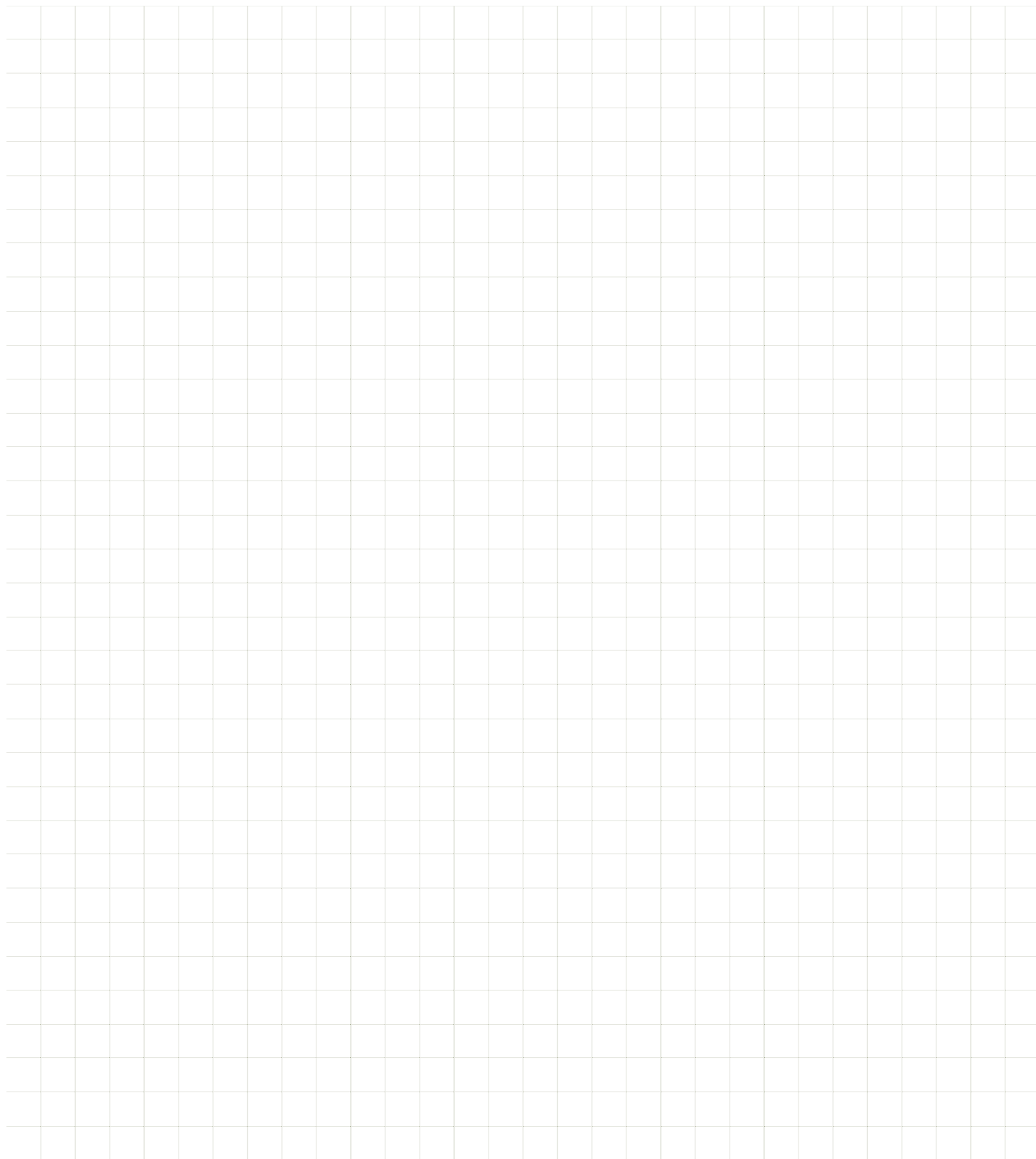
<p>Signature of the person empowered to draw up the declaration on behalf of the manufacturer, holds the technical documentation and is authorised to compile the technical file, and who is established in the Community.</p> <p>Подпис на човека, упълномощен да състави декларацията от името на производителя, който поддържа техническата документация и е сториизиран да изготви техническия файл и е регистриран в общността.</p> <p>Podpis osoby oprávněné sestavit prohlášení jménem výrobce, držet technickou dokumentaci a osoby oprávněné sestavit technické soubory a založené v rámci Evropského společenství.</p> <p>Underskrift af personen, der har fuldmagt til at udarbejde erklæringen på vegne af producenten, der er indehaver af dokumentationen og er bemyndiget til at udarbejde den tekniske journal, og som er baseret i nærområdet.</p> <p>Handtekening van de persoon die bevoegd is de verklaring namens de fabrikant te tekenen, de technische documentatie bewaart en bevoegd is om het technische bestand samen te stellen, en die is gevestigd in het Woongebied.</p> <p>Ühenduse registreeris kantud isiku allkirj, kes on volitatud tootja nimel deklaratsiooni koostama, kes omab tehnilist dokumentatsiooni ja kellel on õigus koostada tehnilise toimik.</p> <p>Sen henkiön allekirjoitus, jolla on valmistajan valtuutus vakuutuksen laadintaan, jolla on hallussaan tekniset asiakirjat, joka on valtuutettu laatimaan tekniset asiakirjat ja joka on sijoitautunut yhteisöön.</p> <p>A gyártó nevében meghatalmazott személy, akinek jogában áll módosítani a nyilatkozatot, a műszaki dokumentációt őzi, engedéllyel rendelkezik a műszaki fájll összefoglalásához, és aki a közösségen letelepedett személy.</p> <p>Firma della persona autorizzata a redigere la dichiarazione a nome del fabbricante, in possesso Della documentazione tecnica ed autorizzata a costituire il fascicolo tecnico, che deve essere stabilita nella Comunità.</p> <p>Tās personas paraksts, kura ir pilnvarota deklarācijas sastādīšanai ražotāja vārdā, kurai ir tehniskā dokumentācija, kura ir pilnvarota sagatavot tehnisko reģistru un kura ir apstiprināta Kopienā.</p> <p>Asmuo, kuris yra gane žinomas, kuriam gamintojas suteikė įgaliojimus sudaryti šią deklaraciją, ir kuris ją pasirašė, turi visą techninę informaciją ir yra įgaliotas sudaryti techninės informacijos dokumentą.</p> <p>Il-firma tal-persuna awtorizzata li ffassal id-dikjarazzjoni f'isem il-fabbrikant, għandha d-dokumentazzjoni teknika u hija awtorizzata li tikkompila l-fajj tekniku u li hija stabbilita fil-Komunità.</p> <p>Podpis osoby upowaznionej do sporządzenia deklaracji w imieniu producenta, przechowującej dokumentację techniczną, upowaznioną do stworzenia dokumentacji technicznej oraz wyznaczonej ds. wspólnotowych.</p> <p>Assinatura da pessoa com poderes para emitir a declaração em nome do fabricante, que possui a documentação técnica, que está autorizada a compilar o processo técnico e que está estabelecida na Comunidade.</p> <p>Semnáčura persoanei împuternicite să elaboreze declarația în numele producătorului, care deține documentația tehnică, este autorizată să compileze dosarul tehnic și este stabilită în Comunitate.</p> <p>Podpis osoby poverenej vystavením vyhlásenia v mene výrobu, ktorá má technickú dokumentáciu a je oprávnená spracovať technické podklady a ktorá je umiestnená v Spoločenstve.</p> <p>Podpis osebe, pooblašene za izdelavo izjave v imenu proizvajalca, ki ima tehnično dokumentacijo in lahko sestavlja spis tehnične dokumentacije, ter ima sedež v Skupnosti.</p> <p>Firma de la persona responsable de la declaración en nombre del fabricante, que posee la documentación técnica y está autorizada para recopilar el archivo técnico y que está establecido en la Comunidad.</p> <p>Undertecknas av den som bemyndigad att upprätta deklarationen å tillverkarens vägnar, innehar den tekniska dokumentationen och är bemyndigad att sammanställa den tekniska informationen och som är etablerad i gemenskapen. Underskrift aðilans sem hefur umboð til að gera yfirlýsinguna fyrir hönd framleiðandans, hefur undir höndum tæknigögnin og hefur leyfi til að taka saman tækniskýrsluna, og er viðurkenndur innan evrópska efnahagssvæðisins.</p> <p>Signaturen til personen som har fullmakt til å utferdige erklæringen på vegne av produsenten, er i besittelse av den tekniske dokumentasjonen, har autorisasjon til å utarbeide den tekniske filen og som har tilhold i EU.</p> <p>Идирскрифт старшмáнаса сем хефур хеймилд тил ад рита yfirlýsinguna fyrir hendi framleiðandans, hefur umsjón með tæknigögnum og hefur heimild til að setja saman tæknilega skýrslu og sem er tengdur inn í samfélagið.</p> <p>メーカーを代表して宣言書を起草し、技術文書を保有し技術ファイルを編集する権限を有し、地域において確固たる地位を築いている人物の署名。</p>	<p>2006/42/EC Annex II 1A: 2 Tim Lansdell Technical Director 24th July 2013 Ransomes Jacobsen Limited West Road, Ransomes Europark, Ipswich, England, IP3 9TT</p>  <p>2006/42/EC Annex II 1A: 10 Christopher W Spencer Vice President of Engineering E-Z-GO Division of Textron Inc. 1451 Marvin Griffin Road Augusta, GA 30906 USA 24th July 2013 Signator</p>
<p>Certificate Number • Номер на сертификат • Číslo osvědčení • Certifikatnummer • Certificaatnummer • Sertifikaadi number • Hyväksyntänumero • Numéro de certificat • Bescheinigungsnummer • Αριθμός Πιστοποιητικού • Hitelesítési szám • Numero del certificato • Serifikáta numurs • Serifikato numeris • Numru tač-Certifikat • Numer certyfikatu • Número do Certificado • Număr certificat • Číslo osvedčenia • Številka certifikata • Número de certificado • Certifikatsnummer • Númer skirteinis • Serifikatnummer • 证书编号 • Skirteinisnúmer • 認證番号 • 인증 번호 • Serifika Numarasi • Номер сертификата</p>	<p>E0000200</p>



APPENDIX A

Read all of this manual to become thoroughly familiar with this vehicle. Pay particular attention to all Notices, Cautions, Warnings, and Dangers.

Notes:

A large grid of graph paper for taking notes, consisting of 20 columns and 30 rows of small squares.



A Textron Company

E-Z-GO Division of Textron Inc.

1451 Marvin Griffin Road, Augusta, Georgia 30906-3852 USA

CONTACT US:

North America:

**Technical Assistance & Warranty
Service Parts**

Phone: 1-800-774-3946, FAX: 1-800-448-8124

Phone: 1-888-GETEZGO (1-888-438-3946, FAX: 1-800-752-6175

International:

Phone: 001-706-798-4311, FAX: 001-706-771-4609

Service Parts Manuals, as well as Repair and Service Manuals
are available from a local Distributor, an authorized Branch,
Genuine E-Z-GO Parts & Accessories Department or at www.shopezgo.com.

Copyrighted Material

This manual may not be reproduced in whole
or in part without the express permission of
E-Z-GO Division of Textron Inc.,
Technical Communications Department