

FORD COMMERCIAL RANGE

TRANSIT • TRANSIT CUSTOM (VAN) • TOURNEO CUSTOM (BUS)

Ford



www.ford.co.za

TRANSIT CUSTOM VAN



SMART FEATURES

EXTERIOR FEATURES

- Door mirrors with blind spot eliminator and integrated side indicator
- Daytime running lights
- Remote central door locking
- Passenger side sliding load door
- Halogen headlights with courtesy delay
- Front and rear mudflaps
- Multi-piece rear bumper
- 15" steel wheels with half caps

INTERIOR FEATURES

- 8-way adjustable driver's seat with armrest
- Two 2-litre bottle holders
- Glovebox capable of A4 file storage
- Two 12-volt power points
- Dual front passenger seat with lift-up cushion and underseat storage
- Loadspace compartment lights
- Stowage box over instrument cluster with 12-volt power point



AMBIENTE



SPORT

EXTERIOR FEATURES

- Sport styling kit – includes front lower bumper skirt with unique fog light bezel, body colour side skirts, rear bumper skirt, sports style bonnet and rear door/liftgate stripes, side stripes with Transit branding, and front and rear wheel arch extensions with unique mudflaps
- 17" alloy wheels with bright/machined black finish
- Rear-view camera with Trailer Hitch Assist
- Tyre Pressure Monitoring System

INTERIOR FEATURES

- Partial leather seat trim
- Dual front passenger's seat with fold out table
- Lane-Keeping Alert with Driver Alert
- High series instrument cluster
- Cruise Control
- Heated Driver and Passenger seats

PARKING DISTANCE SENSORS

Front and rear parking distance sensors provide an audible warning to help you judge parking distances. *(Standard on Sport Van)*



INTEGRATED TIE-DOWN POINTS

Transit Custom Van features side-mounted DIN/ISO compliant cargo tie-down points. *(Standard)*

International model shown. Local specs may vary.



LOAD-THROUGH BULKHEAD

A flip-up panel in the bulkhead provides load-through access to the underseat storage area, allowing items such as pipes and ladders of up to 3-metres in length to be transported securely. *(3.4-metres in LWB)*

SIDE CURTAIN AIRBAGS

Designed to provide additional protection to the driver and front seat passengers. *(Standard on Sport Van, Optional on Ambiente)*



LINE UP | OPTIONS | FEATURES

VAN SHORT WHEELBASE



VAN LONG WHEELBASE



Short Wheelbase:
Max. gross payload up to 1 530kg
Gross vehicle mass from 2 600kg



Long Wheelbase:
Max. gross payload up to 1 447kg
Gross vehicle mass from 3 000kg



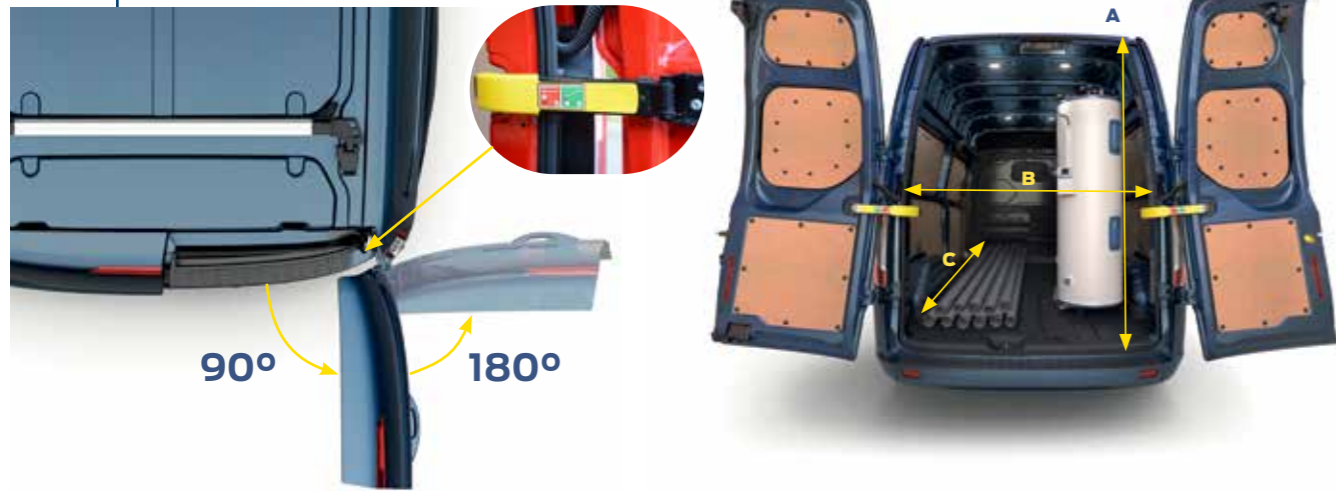
TRANSIT CUSTOM PANEL VAN

Vehicle	Vehicle Description	Manual	Automatic
AMBIENTE	TRANSIT CUSTOM 2.2 AMBIENTE LWB	X	
SPORT	TRANSIT CUSTOM 2.2 SPORT SWB	X	

Short Wheelbase (SWB)
Long Wheelbase (LWB)

FEATURES	AMBIENTE	SPORT
	LWB	SWB
Powertrain		
2.2L TDCi Duratorq	X	X
Power & Torque		
92kW & 350Nm	X	
114kW & 385Nm		X
Wheels		
16" Steel - 215/65 R15	X	
17" Alloy - 215/60 R17		X
Tyre Pressure Monitor System		X
Convenience		
Cruise Control		X
Park Distance Sensors – Front and Rear		X
Rear view camera with Mirror Display		X
Load Area Protection Kit including sealed easy clean load floor		X
Electric Windshield Defroster		X
Exterior Lighting		
Halogen headlamps	X	X
Daytime running lamps	X	X
Front fog lights		X
Styling		
Passenger's sliding side load door	X	X
Standard cloth seats	X	
Partial leather seats		X
Sport Van Styling kit – Front lower bumper skirt with unique fog light bezel, body colour side skirts, rear bumper skirt, exhaust trim, front and rear wheel arch extensions		X
Safety		
Driver Airbag	X	X
Passenger Airbag		X
Electronic Stability Programme (ESP)	X	X
OPTIONS		
Cruise Control	X	
Dual Side Load Doors	X	X
Electric Windshield Defroster	X	
Front fog lights	X	
Load Area Protection Kit including sealed easy clean load floor	X	
Manual Aircon	X	X
Passenger Airbag	X	
Power point socket front & rear – 12V	X	X
Privacy Glass	X	X
Rear view camera with Mirror Display	X	
Roof Rack	X	
Trailer Tow Attachments with Trailer Sway Control	X	X
Tyre Pressure Monitor System	X	

SMART DESIGN



UNRESTRICTED ACCESS

Transit Custom's rear cargo doors can be locked open at 90°, or opened fully to 180° for unrestricted access

A: 1 778mm
B: 1 755mm
C: 3 400mm

1 922 - 2 020mm



SWB 4 973mm

LWB 5 339mm

COLOURS & WHEELS



Frozen White
(Solid)



Moondust Silver
(Metallic*)



Diffused Silver
(Metallic*)



Magnetic
(Metallic*)



Blue Metallic
(Metallic*)



Orange Glow
(Metallic*)



Race Red
(Solid)



Blazer Blue
(Solid)

**Metallic body colours are options at extra cost.*

Note: The images are used to illustrate body colours only, and may not reflect the vehicle described. Colours and trims reproduced within this brochure may vary from the actual colours, due to the limitations of the printing processes used.



6.5 x 15" Steel road wheels



7.5 x 17" Alloy Style
(Available on Sport Van)

Ambiente wheels might vary depending on derivative, please refer to spec sheet for info.

TOURNEO CUSTOM BUS



SMART FEATURES

EXTERIOR FEATURES

- 16" Steel wheels
- Dual side load door
- Daytime running lights
- Front fog lamps
- Front & rear parking aid

INTERIOR FEATURES

- Heated driver & passenger seats
- Leather-wrapped steering wheel
- 12V power points
- Bluetooth®
- Driver & passenger airbag
- Cruise control
- ISOFIX



EXTERIOR FEATURES

- Dual Side Load Doors
- Halogen headlamps
- Daytime running lamps
- Front fog lights
- Front fog lights with adaptive cornering wheels (Automatic Models only)
- 16" Alloy wheels
- Heated mirrors
- 17" Alloys wheels (Automatic Models only)

INTERIOR FEATURES

- Leather gearknob
- Lockable glovebox
- Rear seat recline
- Tyre Pressure Monitoring System (TPMS) (Automatic Models only)
- Driver & passenger airbag
- Cruise control
- ISOFIX

AMBIENTE

TREND

SLIDING DOORS AND RUNNING BOARDS

Running boards fitted below the two sliding side doors make getting in and out even easier, while enhancing TOURNEO CUSTOM's luxurious style. (Standard)



REAR-VIEW CAMERA WITH TRAILER HITCH ASSIST

Select reverse gear and the image from the rear-view camera displays automatically. Marker lines overlaid on the camera image indicate where the vehicle is heading.

LIMITED

INNOVATION STOWAGE SOLUTIONS

Functional storage options include cupholders and a stowage area concealed beneath a neat roller cover (only available with single front-passenger seat). Large front door pockets and a lockable globebox. (Standard)



EXTERIOR FEATURES

- Roof racks (standard on manual, optional on automatic)
- Towbar (standard on manual, optional on automatic)
- 17" alloys (Automatic Models only)
- Privacy Glass

INTERIOR FEATURES

- Manual A/C
- Rear-view camera with mirror display
- Electrochromatic mirror
- Privacy glass
- SYNC®3 with Voice control and Bluetooth® (Automatic Models only)
- 8" touchscreen (Automatic Models only)
- Tyre Pressure Monitoring System (TPMS) (Automatic Models only)
- Partial Leather seats (standard on LTD manual and optional on automatic)

LINE UP | OPTIONS | FEATURES

SHORT WHEELBASE

8 seats (4 972mm)



LONG WHEELBASE

8 seats (5 339mm)



SWB Bus – Available in Limited spec only.

TOURNEO CUSTOM BUS

Vehicle	Vehicle Description	Manual	Automatic
AMBIENTE	TOURNEO CUSTOM 2.2 AMBIENTE LWB	X	
TREND	TOURNEO CUSTOM 2.2 TREND LWB	X	
	TOURNEO CUSTOM 2.0 TREND LWB		X
LIMITED	TOURNEO CUSTOM 2.2 LIMITED SWB	X	
	TOURNEO CUSTOM 2.0 LIMITED SWB		X

Short Wheelbase (SWB)

Long Wheelbase (LWB)

FEATURES	AMBIENTE		TREND		LIMITED	
	SWB 2.2 MANUAL	LWB 2.2 MANUAL	LWB 2.0 AUTO	SWB 2.2 MANUAL	SWB 2.0 AUTO	
Powertrain						
2.2L TDCi Duratorq	X	X		X		
2.0L Diesel Engine			X		X	
Power & Torque						
74kW & 310Nm	X					
92kW & 350Nm		X				
114kW & 385Nm				X		
95kW & 385Nm			X			
125kW & 390Nm					X	
Wheels						
16" Steel - 215/65 R15	X					
16" Alloy - 215/65 R16		X		X		
17" Alloy - 215/60 R17			X		X	
Tyre Pressure Monitor System			X		X	
Infotainment						
SYNC 3 Lite with 10 speakers; 6,5" screen			X			
SYNC 3 with 10 speakers; 8" touch screen					X	
Convenience						
Cruise Control	X	X	X	X	X	
Manual Aircon				X	X	
Park Distance Sensors – Front and Rear	X	X		X		
Rear view camera with Mirror Display				X		
Trailer Tow Attachments with Trailer Sway Control				X		
Exterior Lighting						
Halogen headlamps	X	X	X	X	X	
Front fog lights	X	X		X		
Front fog lights with adaptive cornering			X		X	
Daytime running lamps	X	X	X	X	X	
Styling						
Dual Side Load Doors	X	X	X	X	X	
Running Boards	X	X	X	X	X	
Roof Rack				X		
Privacy Glass		X	X	X	X	
Standard cloth seats	X	X	X		X	
Partial Leather seats				X		
Number of Seats	8	8	8	8	8	
Safety						
Driver Airbag	X	X	X	X	X	
Passenger Airbag	X	X	X	X	X	
Curtain Airbags	X	X	X	X	X	
Side Airbags	X	X	X	X	X	
ISOFIX child seat – 3 attachments – Centre (2nd and 3rd row) and drivers side (2nd row) seat	X	X	X	X	X	
Electronic Stability Programme (ESP)	X	X	X	X	X	
OPTIONS						
16" Alloy - 215/65 R16	X					
Adaptive Cruise Control with Collision Mitigation			X		X	
Blind Spot Detection System (BLIS); Lane-departure Warning (LDW) with Lane-keeping Aid (LKA)			X		X	
High Intensity Discharge (HID) Lamps with static bending and LED Day Time Running Lights			X		X	
Manual Aircon & Rear Seat Climate Control	X	X	X			
Partial Leather seats				X	Opt	
Power point socket - 230V			X		X	
Privacy Glass	X					
Rear view camera (Including Park Distance Sensors – Front and Rear)			X		X	
Roof Rack	X	X				
Roof Rack with Full Length Running Boards			X		X	
SYNC 3 with 8" Touch Screen			X			
Trailer Tow Attachments with Trailer Sway Control	X	X	X		X	
Tyre Pressure Monitor System	X	X		X		

Ford reserves the right, subject to all applicable laws, to discontinue or change features and other specification either temporarily or permanently without incurring any liability to any prospective purchaser or purchasers.

SMART DESIGN



FLEXIBLE REAR SEATS WITH TILT FUNCTION

Each seatback can fold forward to create a flat workspace. The whole seat can fold forward again to take up minimal space. For more room, each seat can be removed. The flexibility of this new seating system can create over 30 different seating and loadspace configurations to suit any occasion.



AS FLEXIBLE AS YOU NEED IT TO BE

Whatever you're carrying, from passengers and luggage to unexpected loads, the Tourneo Custom is versatile enough to find space for them all. Use all seven or eight seats to accommodate occupants in luxurious comfort. Or fold, tumble or stow the second- and third-row seats in more than 30 different ways to create limousine-like space or to maximise the luggage area.

COLOURS & WHEELS



Frozen White
(Solid)



Moondust Silver
(Metallic*)



Diffused Silver
(Metallic*)



Magnetic
(Metallic*)



Blue Metallic
(Metallic*)



Orange Glow
(Metallic*)



Race Red
(Solid)



Blazer Blue
(Solid)

**Metallic body colours are options at extra cost.*

Note: The images are used to illustrate body colours only, and may not reflect the vehicle described. Colours and trims reproduced within this brochure may vary from the actual colours, due to the limitations of the printing processes used.



7.5 x 17" Alloy Style
(Available on Sport Van)



6.5 x 16" Alloy Style A
(Available on Trend Bus and Limited Bus)

Ambiente wheels might vary depending on derivative, please refer to spec sheet for info.

PANEL VAN & CHASSIS CAB



SMART FEATURES

EXTERIOR FEATURES

- 16" Steel Wheels
- Halogen head lights
- Follow-me-home lighting
- Rear door edge reflector strip
- Load compartment floor tie down hoops

INTERIOR FEATURES

- Easy-clean rubber floor covering in cab
- Driver's seat – 4-way adjustable
- Rake- and reach-adjustable steering column
- Dual passenger seats with fold-out table and under seat stowage compartment
- Electronically-operated front windows
- Remote central locking
- Full steel bulkhead



PANEL VAN



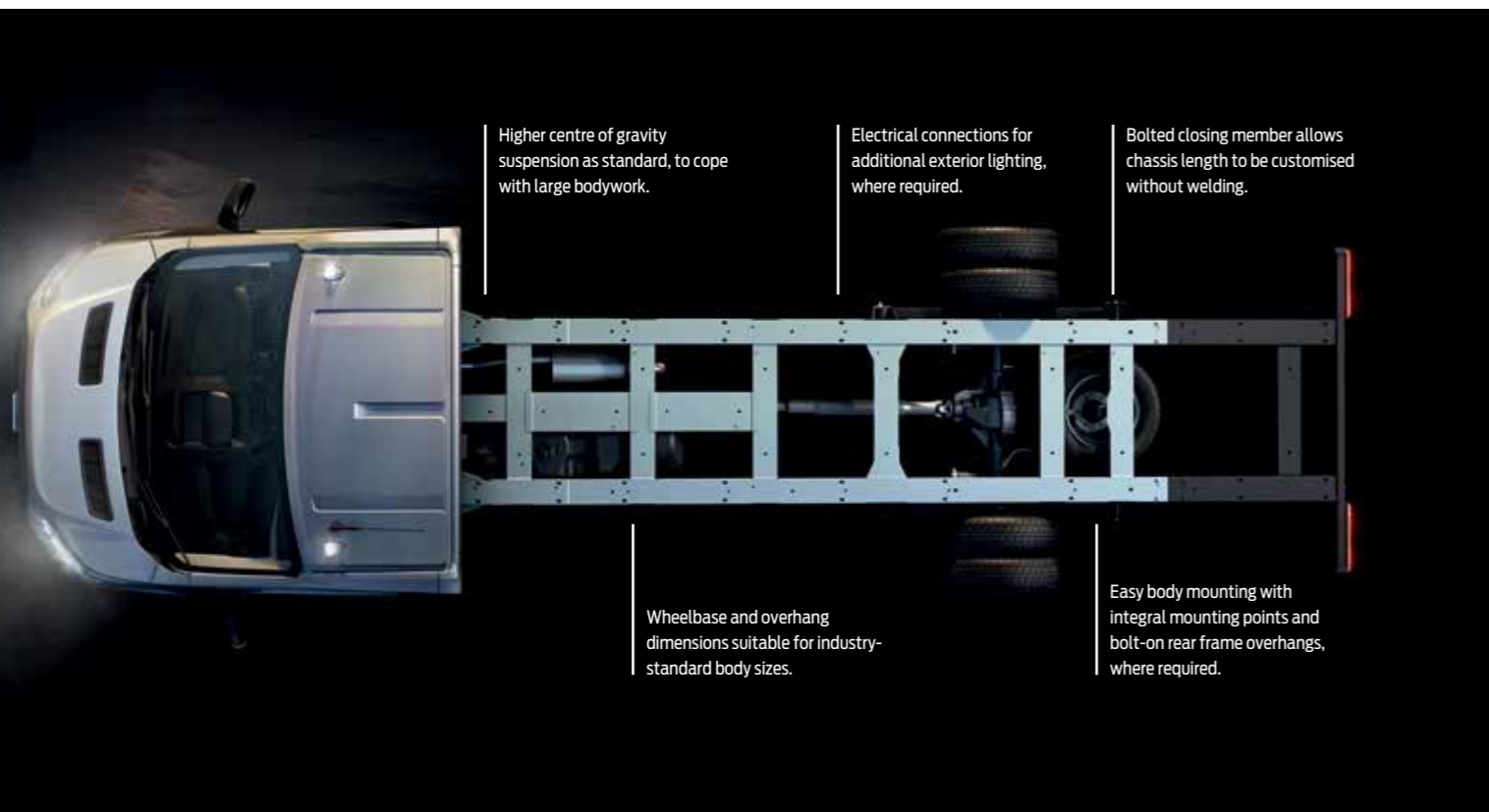
CHASSIS CAB

EXTERIOR FEATURES

- 16" Steel Wheels
- Halogen head lights
- Follow-me-home lighting
- Optional Aluminium wide float

INTERIOR FEATURES

- Easy-clean rubber floor covering in cab
- Driver's seat – 4-way adjustable
- Rake- and reach-adjustable steering column
- Dual passenger seats with lift-up seat stowage
- Electronically-operated windows
- Remote central locking



CHASSIS DESIGN

Throughout the design process, Ford has worked closely with the body-building industry to ensure that all standard body types, and most specialist conversions, can be fitted with little or no modification required.



SMART FEATURES

EVEN BETTER RIDE AND HANDLING

The Transit's renowned driving qualities have been fine-tuned with stiffer suspension mounting bushes and brackets, and a newly-designed anti-roll bar.



FOLD-OUT TABLE AND UNDERSEAT STORAGE COMPARTMENT

The front dual passenger seat features a fold-out table, dual cup holders and an underseat storage compartment large enough to hold a toolbox.



HEAVY-DUTY HEADBOARD

Substantial all-steel powder-coated headboard provides protection to the cab and its occupants. Strong construction allows ladders and heavy items to be secured with ease. Part of option float on TRANSIT Single Chassis Cab.



LARGE BODY DOOR MIRRORS

Standard-width door mirrors accommodate body sizes up to 2170mm. Large blind-spot mirrors are incorporated for excellent visibility.

LOADSPACE LIGHTING

New interior loadspace lights provide greater visibility when working inside the vehicle.



LOAD TIE-DOWNS

Pull-up load retention rings sit flush with the load platform when not in use.

LINE UP | OPTIONS | FEATURES



OPTIMISED LOADSPACE AND PAYLOAD

The Transit delivers exceptional load capacity. You'll find up to 13.8m³ of cargo space to fill. The flat load floor and near vertical side walls help you make the most of all that space, with room to carry loads of up to 4 374mm in length and up to 2 070mm in height. Access to the load area is quick and easy too, thanks to a wide-opening sliding side door, full-height rear doors that can be opened to a full 270° (standard on Long Wheelbase and Extended Body) and a built-in rear bumper step.



TRANSIT PANEL VAN & CHASSIS CAB

Vehicle	Vehicle Description	MWB	LWB-Extended (Jumbo)
PANEL VAN	TRANSIT 2.2 DIESEL PANEL VAN (330M)	X	
	TRANSIT 2.2 DIESEL PANEL VAN (470E)		X
CHASSIS CAB	TRANSIT 2.2 DIESEL CHASSIS CAB (330M)	X	
	TRANSIT 2.2 DIESEL CHASSIS CAB (470E)		X

Medium Wheelbase (MWB) Long Wheelbase (LWB)

FEATURES	PANEL VAN		CHASSIS CAB	
	MWB	LWB	MWB	LWB
Powertrain				
2.2L TDCi Duratorq	X	X	X	X
Power & Torque				
92kW & 350Nm	X		X	
114kW & 385Nm		X		X
Transmission				
6-Speed Manual	X	X	X	X
Wheels				
Front Wheel Drive	X		X	
Rear Wheel Drive		X		X
16" Steel - 235/65R16	X		X	
16" Steel - 195/75R16C		X		X
Convenience				
Heater – Recirculation	X	X	X	X
Driver and Passenger sunvisor	X	X	X	X
Tinted Glass	X	X	X	X
Electrically-operated front windows with one-touch lowering on driver's side	X	X	X	X
Rear view mirror	X	X	X	X
Rear cargo doors: 180° opening	X			
Rear cargo doors: 270° opening (Inc magnetic door retainers)		X		
2 x 12V Power connections	X	X	X	X
Exterior Lighting				
Headlights – Projector-style halogen reflector lights (Quad Beam)	X	X	X	X
Daytime running lamps	X	X		
Follow-me-home lighting	X	X	X	X
Styling				
Passenger's sliding side load door	X	X		
Partial Floor Cover - Rubber Insulated Easy-Clean	X	X	X	X
Standard cloth seats	X	X	X	X
Roof mounted light	X	X		X
Rear door edge reflector strip	X	X		
Safety				
Driver Airbag	X	X	X	X
Traction Control	X	X	X	X
Electronic Stability Programme (ESP)	X	X	X	X
Perimeter Anti-Theft Alarm	X	X	X	X
Load Compartment				
Bulkhead – full width steel, fixed and unglazed	X	X		
Load compartment floor tie down hoops	10	12		
OPTIONS				
Comfort Pack - includes Front Manual Airconditioner & Front Passenger Airbag	X	X	X	X
Rear view camera with Front & Rear Parking Distance sensors	X	X		
Standard Aluminium wide float			X	X
Trailer Tow Attachments with Trailer Sway Control	X	X		

Ford reserves the right, subject to all applicable laws, to discontinue or change features and other specification either temporarily or permanently without incurring any liability to any prospective purchaser or purchasers.

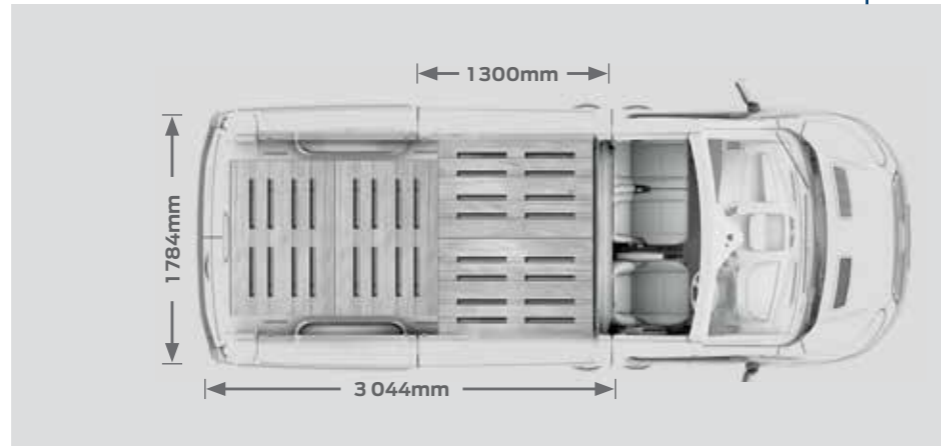
SMART DESIGN

VAN MEDIUM WHEELBASE

Europallet (1 000mm load)
Capacity: 4 Pallets

Medium Roof (H2) FWD

10.1/9.6m³



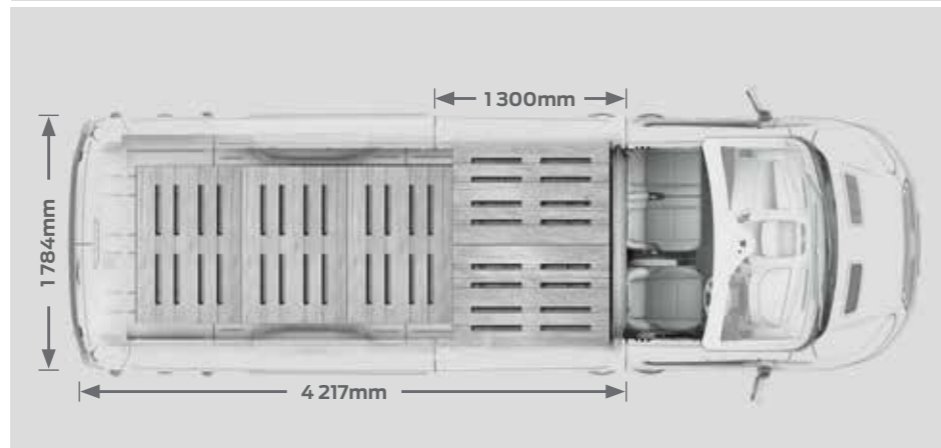
VAN EXTRA LONG WHEELBASE

Europallet (1 000mm load)
Capacity: 5 Pallets

High Roof (H3)RWD

15.1m³

Measured in cubic metres and with a full bulkhead fitted.



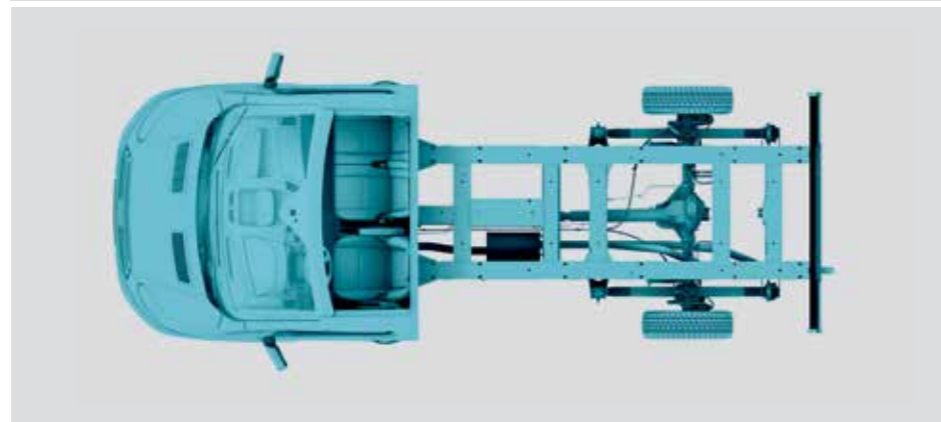
CHASSIS CAB MEDIUM WHEELBASE

Single rear wheel | FWD
Max load length @ floor
(with Bulkhead): 3 044mm

1 325(kg) Gross Payload

Chassis frame length: 3 144mm

3 300(kg) GVM



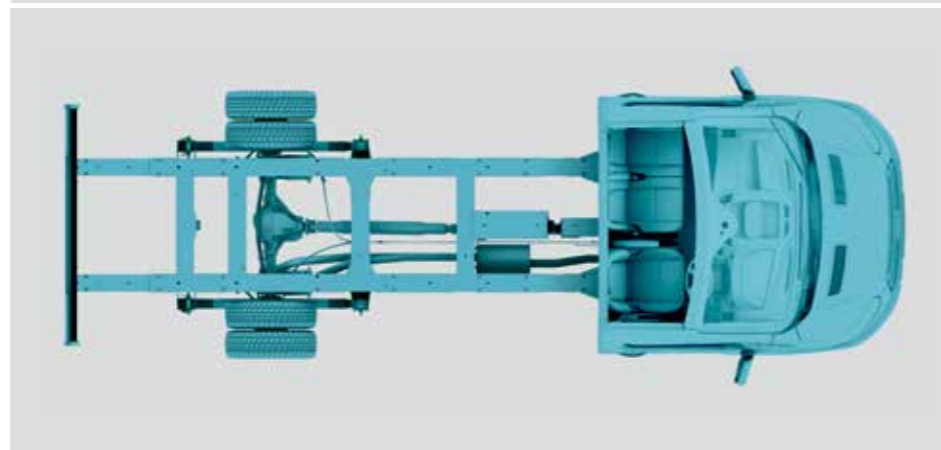
CHASSIS CAB EXTRA LONG WHEELBASE

Dual rear wheel | RWD
Max load length @ floor
(with Bulkhead): 4 217mm

2 270(kg) Gross Payload

Chassis frame length: 4 151mm

4 700(kg) GVM



COLOURS & WHEELS



Blazer Blue
(Solid)



Deep Impact Blue
(Metallic*)



Frozen White
(Solid)



Magnetic
(Metallic*)



Race Red
(Solid)



Moondust Silver
(Metallic*)

**Metallic body colours are options at extra cost. Colours applicable to TRANSIT VAN, and TRANSIT SINGLE CHASSIS CAB.*

Note: The images are used to illustrate body colours only, and may not reflect the vehicle described. Colours and trims reproduced within this brochure may vary from the actual colours, due to the limitations of the printing processes used.



Blazer Blue
(Solid)



Deep Impact Blue
(Metallic*)



Frozen White
(Solid)



Magnetic
(Metallic*)



Race Red
(Solid)



Moondust Silver
(Metallic*)



Ambiente
16" Steel wheel – 205/60 R16

Aftermarket styled wheel cover shown - South African specs will vary - see specification sheets.



FORD PROTECT

Ford **PROTECT** offers a holistic suite of service, maintenance, warranty and roadside-assistance products aimed at keeping your new TRANSIT or TOURNEO in perfect working condition.



New Vehicle Limited Warranty – Every new Ford product comes with a 4-yr/120 000km New Vehicle Limited Warranty (NVLW).

Corrosion Warranty – Cover lasts for 5-yr/unlimited km.

Roadside Assistance – Cover lasts for 4-yr/unlimited km cover for mechanical, electrical, flat tyres, batteries, medical emergencies and towing, if needed, to the nearest Ford dealership.

Extended cover options are available

All **TRANSIT** and **TOURNEO** derivatives retailed on or after 01 November 2021 will not have a service plan included in the vehicle in line with the Competition Commission's Guidelines for the Automotive Aftermarket Industry. Service and maintenance plans can be purchased directly from the Finance and Insurance Manager at any Ford Authorised dealership. Please ensure you follow your service booklet for your service intervals. Service Plan covers all scheduled servicing except friction materials and wear items, i.e. brake pads and wiper blades.

Extended Warranty: An extended Mechanical Warranty may be purchased prior to the expiry of the 4-yr / 120 000km New Vehicle Limited Warranty (NVLW). Extension are available for up to 7 years or 200 000kms from the original warranty start date.

Extended Service Plan: Extended Service plans are available for up to 8 years or 165 000kms from the original vehicle warranty start date.

Maintenance Plans: Ford Protect has a variety of maintenance plan options for up to 7 years or 150 000kms.

Extended Roadside Assistance: Available option for an additional 1 or 2 years Roadside Assistance.

**Consult a Ford Franchise Dealer or www.ford.co.za for more information regarding Ford PROTECT plans. Terms & Conditions apply.*

The declared fuel consumption and CO₂ emissions figures were achieved during technical laboratory testing in accordance with the legislated technical specifications (SANS 20101: 2006/ECE R101: 2005 as last amended) and validated and approved by the UK Vehicle Certification Authority (VCA). Fuel consumption and CO₂ emissions figures are used to compare different vehicle types under uniform conditions, and are not necessarily indicative of real-life driving conditions. Note that the actual fuel consumption and emissions levels will depend on many factors and are directly affected by the length of the journey; number of passengers and the amount of luggage carried; individual driving style; road conditions; weather conditions; vehicle age, mileage, condition and standard of maintenance; use of vehicle features such as air conditioning; and any modifications to the vehicle. Your fuel economy will vary based on these and other factors and, for these reasons, many drivers may not achieve the EU fuel economy figures in day-to-day driving, although the vehicle is technically capable of doing so.

Ford reserves the right, subject to all applicable laws, to discontinue or change features and other specifications either temporarily or permanently, which will be communicated to the Ford Dealer Network. E and OE.

Printed April 2022.



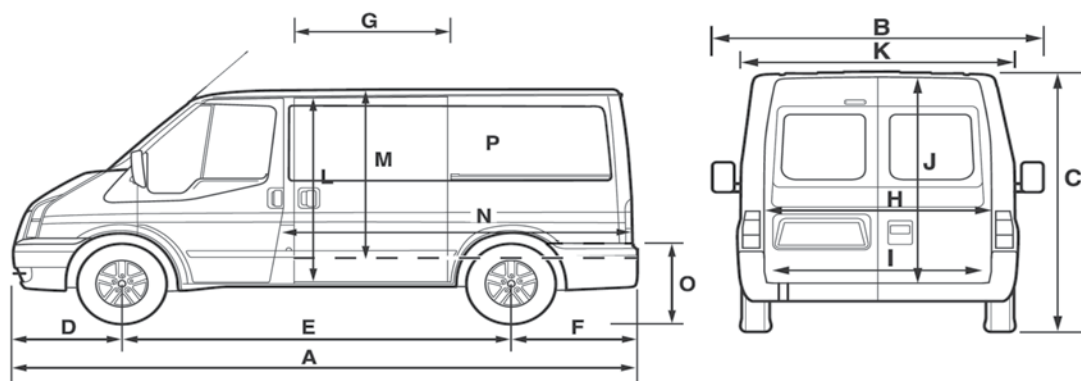
TRANSIT CUSTOM (VAN)	VAN	
	2.2 Ambiente LWB MP	2.2 Sport SWB HP
ENGINE		
Type	Duratorq TDCi 2.2	Duratorq TDCi 2.2
Cylinders	4 in line	4 in line
Displacement (cm³)	2 198	2 198
Power (kW @ rpm)	92 @ 3 500	114 @ 3 500
Torque (Nm @ rpm)	350 @ 1 450	385 @ 1 600
Bore and stroke (mm)	86 x 94.6	86 x 94.6
Fuel injection	Common-rail direct fuel injection	Common-rail direct fuel injection
Fuel requirement	Diesel	Diesel
Smart regenerative charging	-	Std
Emission level	Euro Stage IV	Euro Stage V
TRANSMISSION		
Type	6-speed manual	6-speed manual
PERFORMANCE		
Fuel economy – NEDC L/100km (combined cycle)*	7.3	6.6
CO ₂ emission – combined (g/km)*	192	174
Top speed km/h	157	157
STEERING		
Hydraulic Power-Assisted Steering (HPAS)	Std	Std
Steering wheel adjustment – tilt and telescopic	Std	Std
Turning circle (kerb-to-kerb) (m)	12.8	12.2
Turning circle (wall-to-wall) (m)	13.4	12.65
SUSPENSION		
Front suspension: independent MacPherson struts, variable-rate coil springs, stabiliser bar and gas-pressurised shock absorbers	Std	Std
Rear suspension: single leaf springs, gas-pressurised shock absorbers	Std	Std
Torque Vectoring Control (TVC)	Std	Std
BRAKES		
Front ventilated discs	308mm x 33mm	288mm x 33mm
Rear solid discs	308mm x 16mm	288mm x 16mm
WHEELS AND TYRES		
Wheels	16" Steel – 215/65 R16	17" Alloy – 215/60 R17
Tyre Pressure Monitoring System	Opt	Std
Spare wheel	Std	Std
SAFETY AND SECURITY		
Driver airbag	Std	Std
Passenger airbag	Opt	Std
Electronic Stability Programme (ESP) Includes: - Anti-lock Braking System (ABS) - Electronic Brakeforce Distribution (EBD) - Hill Launch Assist (HLA) - Adaptive Load Control - Emergency Brake Warning - Rollover Mitigation (ROM) - Emergency Brake Assist (EBA)	Std	Std
Trailer Sway Control (TSC) (activated when towbar fitted at Ford Dealer)	Opt	Opt
Centre high-mounted rear stop lamp	Std	Std
Remote power central double locking	Std	Std
Drive-away locking with crash unlocking	Std	Std
Perimeter anti-theft alarm	Std	Std
Electrochromatic mirror	Opt	Std
Parking distance sensors – front and rear	Opt	Std
Rear-view camera with mirror display	Opt	Std
INTERIOR		
Seats		
Standard cloth seats	3	-
Sport seats (partial leather)*	-	3
Driver seat armrest	Std	Std
Tray table front seat	-	Std
Driver and passenger seat with lumbar support	Std	Std
Driver and passenger heated seat	-	Std
Driver seat – 4-way manually adjustable with cushion tilt	Std	Std
Passenger's seat – 2-way manually adjustable	Std	Std
Front 2-way head restraints	Std	Std
Seatbelt – black	Std	Std
Occupant Restraints		
Front 3-point seatbelts with pre-tensioners and load limiter	Std	Std
Beltminder – driver and passenger seats	Std	Std
Windows		
Power windows with driver's one-touch down	Std	Std
Electric windshield defroster	Opt	Std
Interior Floor		
Partial load-floor cover – rubber-insulated, easy-clean	Std	Std

*Fuel economy and emission figures obtained from controlled tests on a combined cycle. Note that the actual fuel consumption and emission will depend on many factors including your driving habits, prevailing conditions and your vehicles equipment, condition and use.

TRANSIT CUSTOM (VAN)	VAN	
	2.2 Ambiente LWB MP	2.2 Sport SWB HP
INTERIOR (CONT.)		
Interior Roof		
Driver and passenger sun visor	Std	-
Driver and passenger sun visor with illuminated vanity mirror	-	Std
Passenger folding grab handles	-	Std
Sunglass holder (driver) and overhead console	-	Std
Load Compartment		
Bulkhead with load-through hatch	Std	Std
Complete rear trim board (included in load area protection kit)	Opt	Std
Sealed easy-clean load floor (included in load area protection kit)	Opt	Std
Load area protection kit (including 8 tie-down loops)	Opt	Std
Stowage		
Bottle holder – twin 2-litre bottle capacity, fascia-mounted	Std	Std
Glovebox storage capacity with lid – A4 file	Std	-
Locking glovebox	-	Std
Map pockets – front door storage	Std	Std
Storage compartment – driver's side on fascia top with lift-up lid	Std	Std
Environmental Control		
Air conditioning – front, filter-air pollen purifier	Opt	Opt
Heater – recirculation	Std	Std
Gearshift		
Leather gearknob ^a	-	Std
Moulded gearknob	Std	-
Steering Wheel		
Steering wheel – 4-spoke, polyurethane	Std	-
Steering wheel – 4-spoke, leather ^a (included with cruise control)	Opt	Std
Dual note electric horn	Std	Std
INSTRUMENTS AND CONTROLS		
Trip computer (distance to empty, instantaneous and average fuel consumption, average speed, outside temperature)	Std	Std
12V power point – located on instrument panel	Opt	Opt
In-Car Entertainment (ICE)		
Radio; 2 speakers; steering-wheel-mounted audio controls; USB connector; Aux input; Bluetooth ^a	Std	Std
Cruise Control		
Cruise control	Opt	Std
Steering-wheel-mounted controls	Opt	Std
INTERIOR LIGHTING		
Courtesy lights – header-mounted, front with theatre-dimming	Std	-
Courtesy lights – header-mounted, front with theatre-dimming + map lights	-	Std
Load space compartment lights – LED	Opt	Opt
Battery saver – 30 minutes	Std	Std
EXTERIOR		
Passenger's sliding side load door	Std	Std
Dual side sliding load doors	Opt	Opt
Unglazed hinged rear doors, 180° opening, positive stop at 90° and click-lock functionality	Std	Std
Door handles and cargo door handles – black	Std	-
Door handles and cargo door handles – body colour	-	Std
Door mirrors – blind spot eliminator and integrated side indicator	Std	Std
Door mirrors – power-adjustable, power folding – black	Std	-
Door mirrors – power-adjustable, power folding – body colour	-	Std
Bodyside mouldings – grey	Std	-
Bodyside mouldings – body colour	-	Std
Front bumper – partial body colour	Std	-
Front bumper – full body colour	-	Std
Rear bumper – self colour	Std	-
Rear bumper – full body colour	-	Std
Front mudflaps	Std	Std
Rear mudflaps	Std	-
Sport van styling kit – front lower bumper skirt with unique fog lamp bezel, body-colour side skirts, rear bumper skirt, exhaust trim, front and rear wheel-arch extensions	-	Std
Halogen headlamps	Std	Std
Manual headlamp levelling	Std	Std
Daytime running lights	Std	Std
Follow-me-home headlamps (courtesy delay, 30 second duration)	Std	Std
Front fog lamps	Opt	Std
Variable windshield wipers	Std	Std
Trailer tow attachments	Opt	Opt
Roof rack	Opt	-
Privacy glass	Opt	Opt

^aLeather is a combination of leather and high-quality, durable materials.

TRANSIT CUSTOM (VAN)	VAN	
	2.2 Ambiente LWB MP	2.2 Sport SWB HP
DIMENSIONS (MM) – EXTERIOR		
Overall length – A	5 339	4 972
Overall width with mirrors – B	2 272	2 272
Overall width with folded back mirrors	2 080	2 080
Overall width without mirrors – K	1 986	1 986
Overall height (height dimensions show the range from minimum to maximum of a fully laden vehicle to unladen vehicle) – C	1 909 – 2 022	1 900 – 2 020
Wheelbase – E	3 300	2 933
Front of vehicle to front wheel centre – D	1 011	1 011
Rear of vehicle to rear wheel centre – F	1 028	1 028
Side door entry width – G	1 030	1 030
Side load door entry height – L	1 324	1 324
Rear door/tailgate entry width – H	1 404	1 404
Rear door/tailgate entry height – J	1 347	1 347
Front track	1 736	1 736
Rear track	1 720	1 720
Ground clearance at centre	227 – 273	231 – 277
Ground clearance at front axle	159 – 176	160 – 175
Ground clearance at rear axle	119 – 137	118 – 137
DIMENSIONS (MM) – INTERIOR		
Maximum load space length (with bulkhead) – N	2 922	2 555
Maximum load space length (with load-through bulkhead) – N	3 452	3 085
Maximum load space width – K	1 775	1 775
Load space between wheel arches – I	1 390	1 390
Load floor to roof – M	1 406	1 406
Loading height (height dimensions show the range from minimum to maximum of a fully laden vehicle to unladen vehicle) – O	457 – 589	450 – 583
Load space (with bulkhead) – P	6.83/6.23 (m ²)	5.95/5.36 (m ²)
DIMENSIONS – OTHER		
Gross vehicle mass (kg)	3 325	2 900
Ground clearance (mm)	241 – 275	242 – 282
Gross combined mass (kg)	5 125	4 600
Wading depth	600	600
Fuel tank (L)	80	80
Kerb weight (kg)	1 820	1 745
Gross payload (kg)	1 505	1 155
Towing mass (braked) (kg)	1 800	1 700
Towing mass (unbraked) (kg)	750	750
FORD PROTECT		
Service Intervals	15 000km	15 000km
Roadside Assistance	4-yr/unlimited km	4-yr/unlimited km
Warranty (NVLW)	4-yr/120 000km	4-yr/120 000km
Corrosion Warranty	5-yr/unlimited km	5-yr/unlimited km
Service Plan	Opt	Opt



All Transit and Tourneo derivatives retailed on or after 01 November 2021 will not have a service plan included in the vehicle in line with the Competition Commission's Guidelines for the Automotive Aftermarket Industry. Service and maintenance plans can be purchased directly from the Finance and Insurance Manager at any Ford Authorised dealership.

Ford reserves the right, subject to all applicable laws, to discontinue or change features and other specification either temporarily or permanently without incurring any liability to any prospective purchaser or purchasers. Consult the vehicle handbook, www.ford.co.za or your nearest Ford Dealer for more information regarding Ford PROTECT plans and products. E and OE. **Printed April 2022.**

TOURNEO CUSTOM (BUS)	MT			AT	
	2.2 Ambiente LWB LP	2.2 Trend LWB MP	2.2 Limited SWB HP	2.0 Trend LWB MP	2.0 Limited SWB HP
ENGINE					
Type	Duratorq TDCi 2.2	Duratorq TDCi 2.2	Duratorq TDCi 2.2	2.0L CR TC DSL	2.0L CR TC DSL
Cylinders	4 in line	4 in line	4 in line	4	4
Displacement (cm ³)	2 198	2 198	2 198	1995	1995
Power (kW @ rpm)	74 @ 3 500	92 @ 3 500	114 @ 3 500	95kW	125kW
Torque (Nm @ rpm)	310 @ 1 300	350 @ 1 450	385 @ 1 600	385Nm	390Nm
Bore and stroke (mm)	86 x 94.6	86 x 94.6	86 x 94.6	84,0 / 90,0	84,0 / 90,0
Fuel injection	Common-rail direct fuel injection	Common-rail direct fuel injection	Common-rail direct fuel injection	Common rail direct fuel injection	Common rail direct fuel injection
Fuel requirement (All Diesel vehicles require low-sulphur grade diesel of 50ppm or lower)	Diesel	Diesel	Diesel	Diesel	Diesel
Emission level	Euro Stage IV	Euro Stage IV	Euro Stage IV	Euro 6.2 Emissions	Euro 6.2 Emissions
TRANSMISSION					
Type	6-speed manual	6-speed manual	6-speed manual	6-speed Auto	6-speed Auto
PERFORMANCE					
Fuel economy – NEDC L/100km (combined cycle)*	6.5	6.5	6.5	6.7	6.7
CO ₂ emission – combined (g/km)*	172	172	172	174	174
Top speed km/h	157	157	157	165	180
Adblue® Injector	-	-	-	Std	Std
STEERING					
Type: rack-and-pinion steering with rack-mounted power assisted	Std	Std	Std	Std	Std
Hydraulic Power-Assisted Steering (HPAS)	Std	Std	Std	Std	Std
Turning circle (kerb-to-kerb) (m)	12.2	12.8	11.6	13	11,8
Turning circle (wall-to-wall) (m)	12.8	13.4	12.8	13,5	12,3
SUSPENSION					
Front suspension: independent MacPherson struts, variable-rate coil springs, stabiliser bar and gas-pressurised shock absorbers	Std	Std	Std	Std	Std
Rear suspension: single leaf springs, gas-pressurised shock absorbers	Std	Std	Std	Std	Std
Torque Vectoring Control (TVC)	Std	Std	Std	Std	Std
BRAKES					
Front ventilated discs	288mm x 33mm	308mm x 33mm	288mm x 33mm	288mmx33mm	288mmx33mm
Rear solid discs	288mm x 16mm	308mm x 16mm	288mm x 16mm	288mmx16mm	288mmx16mm
WHEELS AND TYRES					
16" Steel – 215/65 R16	Std	-	-	-	-
16" Alloy – 215/65 R16	Opt	Std	Std	-	-
17" Alloy – 215/60 R17C	-	-	-	Std	Std
Tyre Pressure Monitoring System	Opt	Opt	Opt	Std	Std
Spare wheel	Std	Std	Std	Std	Std
SAFETY AND SECURITY					
Driver airbag	Std	Std	Std	Std	Std
Passenger airbag	Std	Std	Std	Std	Std
Curtain airbags	Std	Std	Std	Std	Std
Side airbags	Std	Std	Std	Std	Std
ISOFIX child seat – 3 attachments – centre (second and third row) and driver's side (second row) seat	Std	Std	Std	Std	Std
Electronic Stability Programme (ESP) – Includes: - Anti-lock Braking System (ABS) - Electronic Brakeforce Distribution (EBD) - Hill Launch Assist (HLA) - Adaptive Load Control - Emergency Brake Warning - Rollover Mitigation (ROM) - Emergency Brake Assist (EBA)	Std	Std	Std	Std	Std
Trailer Sway Control (TSC) (activated when towbar fitted at Ford Dealer)	Opt	Opt	Std	Opt	Opt
Centre high-mounted rear stop lamp	Std	Std	Std	Std	Std
Remote power central double locking	Std	Std	Std	Std	Std
Key-release Boot open	-	-	-	Std	Std
Perimeter anti-theft alarm	Std	Std	Std	Std	Std
Drive-away locking with crash unlocking	Opt	Opt	Opt	Opt	Opt
Key-release bonnet	Std	Std	Std	Std	Std
Parking distance sensors – front and rear	Std	Std	Std	Opt	Opt
Electrochromatic rear-view with camera display	-	Opt	Std	-	-
Rear view camera	-	-	-	Opt	Opt
Rear-view camera with mirror display	-	Opt	Std	-	-

*Fuel economy and emission figures obtained from controlled tests on a combined cycle. Note that the actual fuel consumption and emission will depend on many factors including your driving habits, prevailing conditions and your vehicles equipment, condition and use.

TOURNEO CUSTOM (BUS)	MT			AT	
	2.2 Ambiente LWB LP	2.2 Trend LWB MP	2.2 Limited SWB HP	2.0 Trend LWB MP	2.0 Limited SWB HP
INTERIOR					
Seats					
Standard front and rear cloth seats	Std	Std	-	Std	Std
Leather* – front and rear seats	-	-	Std	-	-
Driver seat armrest	Std	Std	Std	Std	Std
Passenger seat armrest	-	Std	Std	Std	Std
Driver seat with lumbar support	Std	Std	Std	Std	Std
Passenger seat with lumbar support	-	-	Std	-	Std
Driver and passenger heated seat	Std	Std	Std	Std	Std
Driver seat – 4-way manually adjustable with cushion tilt	Std	Std	-	Std	-
Driver seat – 10-way adjustable	-	-	Std	-	Std
Passengers seat – 4-way manually adjustable with cushion tilt	Std	Std	Std	Std	Std
Front 2-way head restraints	Std	Std	Std	Std	Std
Rear seats – second row, triple wide seats (2+1), foldable and detachable	Std	Std	Std	-	-
Rear seats – second row, single seats (3), foldable and detachable	-	-	-	Std	Std
Rear seats – third row, triple wide seats (2+1), foldable and detachable	Std	Std	Std	Std	-
Rear seats – Third row, single seats (3), foldable and detachable	-	-	-	-	Std
Rear seat recline with second row armrests	-	Std	Std	Std	Std
Rear Center Table - Second Row	-	-	-	Std	Std
Rear Center Table - Third Row	-	-	-	-	Std
Seatbelt – black	Std	Std	Std	Std	Std
Occupant Restraints					
Front and rear 3-point seatbelts with pre-tensioners and load limiter	Std	Std	Std	-	-
Beltminder – driver and passenger seats	Std	Std	Std	Std	Std
Windows					
Power Front Window - 1 Touch Up/Down - Driver only	Std	Std	Std	Std	Std
Power Front Window - 1 Touch Up/Down - Passenger	-	-	-	Std	Std
Electric windshield defroster	Opt	Std	Std	Std	Std
Interior Floor					
Complete floor cover – rubber-insulated, easy-clean	Std	-	-	-	-
Complete floor cover – carpet	-	Std	Std	Std	Std
Interior Roof					
Driver and passenger sun visor with illuminated vanity mirror	Std	Std	Std	Std	Std
Front driver and passenger folding grab handles	Std	Std	Std	-	-
Front passenger folding grab handle	-	-	-	Std	Std
Overhead console	Std	Std	Std	Std	Std
Driver sunglass holder	Std	Std	Std	Std	Std
Rear coat hooks	Std	Std	Std	Std	Std
Window blinds – rear sides	-	-	Std	-	Std
Stowage					
Storage compartment – driver's side on fascia top with lift-up lid	Std	Std	Std	Std	Std
Bottle holder – twin 2-litre bottle capacity, fascia-mounted	Std	Std	Std	Std	Std
Load compartment – x2 tie-down loops	-	-	Std	-	-
Load compartment – x4 tie-down loops	Std	Std	-	Std	Std
Glovebox	Std	-	-	-	-
Locking glovebox	-	Std	Std	Std	Std
Environmental Control					
Manual air conditioning – front, filter-air pollen purifier	Opt	Opt	Std	Opt	Std
Rear seat climate control	Opt	Opt	Std	Opt	Std
Gearshift					
Leather gearknob*	-	Std	Std	Std	Std
Moulded gearknob	Std	-	-	-	-
Steering Wheel					
Steering wheel – 4-spoke, leather*	Std	Std	Std	Std	Std
Dual note electric horn	Std	Std	Std	Std	Std
INSTRUMENTS AND CONTROLS					
Trip computer (distance to empty, instantaneous and average fuel consumption, average speed, outside temperature)	Std	Std	Std	Std	Std
12V power point – front	Opt	Opt	Opt	Std	Std
12V power point – rear	Std	Std	Std	Std	Std
Power point socket – 12V Driver Storage	-	-	-	Std	Std
Power point socket - 230V	-	-	-	Opt	Opt
In-Car Entertainment (ICE)					
Radio; 6 speakers; steering-wheel-mounted audio controls; USB connector; Aux input; Bluetooth*	Std	Std	Std	-	-
SYNC*3 with; 10 radio speakers; 8" touch screen; steering wheel mounted audio controls; 8 USB connectors; DAB	-	-	-	Opt	Std
SYNC 3 Lite; 10 radio speakers; 4" screen; steering wheel mounted audio controls; 8 USB connectors	-	-	-	Std	-
Cruise Control					
Cruise control	Std	Std	Std	Std	Std
Adaptive Cruise Control with Lane Keeping Aid, Lane Departure Warning and Collision Mitigation	-	-	-	Opt	Opt
Blind Spot Detection (BLIS) with Cross Traffic Alert and Trailer Coverage	-	-	-	Opt	Opt
Adjustable speed limiter device (ASLD)	Std	Std	Std	Std	Std
Steering-wheel-mounted controls	Std	Std	Std	Std	Std
INTERIOR LIGHTING					
Courtesy lights – header-mounted, front with theatre-dimming + map lights	Std	Std	Std	Std	Std
Rear seats courtesy lights with theatre-dimming + map lights	Std	Std	Std	Std	Std
Load space compartment lights	Std	Std	Std	Std	Std
Battery saver – 30 minutes	Std	Std	Std	Std	Std
Standard rear-view mirror	Std	Std	Std	Std	Std
Rear-view camera (appears in rear-view mirror)	-	Opt	Std	-	-
EXTERIOR					
Dual side load doors	Std	Std	Std	Std	Std
Running-boards	Std	Std	Std	Std	Std

*Leather is a combination of leather and high-quality, durable materials.

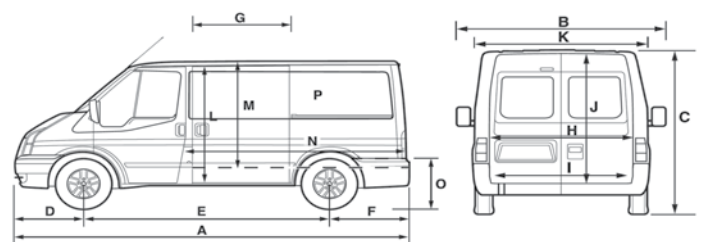
TOURNEO CUSTOM (BUS)	MT			AT	
	2.2 Ambiente LWB LP	2.2 Trend LWB MP	2.2 Limited SWB HP	2.0 Trend LWB MP	2.0 Limited SWB HP
EXTERIOR (CONT.)					
Running Boards Full Length*	-	-	-	Opt	Opt
Doors – rear tailgate with wash/wipe	Std	Std	Std	Std	Std
Door mirrors – blind spot eliminator and integrated side indicator	Std	Std	Std	Std	Std
Door mirrors – power-adjustable, power folding – black	Std	-	-	-	-
Door mirrors – power-adjustable, power folding – body colour	-	Std	Std	Std	Std
Bodyside mouldings – grey	Std	Std	-	Std	-
Bodyside mouldings – body colour	-	-	Std	-	Std
Front bumper – body colour	Std	Std	Std	Std	Std
Front mudflaps	Std	Std	Std	Std	Std
Rear mudflaps	Opt	Std	Std	Std	Std
Halogen headlamps	Std	Std	Std	Std	Std
High Intensity Discharge (HID) Lamps with static bending and LED Day Time Running Lights	-	-	-	Opt	Opt
Auto headlamp control off	-	Opt	Std	Opt	Opt
Power windows with driver's one-touch down functionality	Std	Std	Std	Std	Std
Liftgate handle, door handles – body colour	Std	Std	Std	Std	Std
Windows – second row, passenger's side and driver's side flip open	Std	Std	Std	Std	Std
Windows – third row, passenger's side and driver's side fixed	Std	Std	Std	Std	Std
Manual headlamp levelling	Std	Std	Std	Std	Std
Daytime running lights	Std	Std	Std	Std	Std
Follow-me-home headlamps (courtesy delay, 30 seconds duration)	Std	Std	Std	Std	Std
Front fog lamps	Std	Std	Std	-	-
Front fog lights with adaptive cornering	-	-	-	Std	Std
Variable windshield wipers	Std	Std	Std	Std	Std
Trailer tow attachments	Opt	Opt	Std	Opt	Opt
Roof rack*	Opt	Opt	Std	Opt	Opt
Privacy glass	Opt	Std	Std	Std	Std
DIMENSIONS (MM) – EXTERIOR					
Overall length – A	5 339	5 339	4 972	5 340	4 973
Overall width with mirrors – B	2 272	2 272	2 272	2 272	2 272
Overall width with folded back mirrors	2 080	2 080	2 080	2 080	2 080
Overall width without mirrors – K	1 986	1 986	1 986	1 986	1 986
Overall height (height dimensions show the range from minimum to maximum of a fully laden vehicle to unladen vehicle) – C	1 909 – 2 022	1 909 – 2 022	1 900 – 2 020	1 954-1 977	1 995-1 997
Wheelbase – E	3 300	3 300	2 933	3 300	2 933
Front of vehicle to front wheel centre – D	1 011	1 011	1 011	1 011	1 011
Rear of vehicle to rear wheel centre – F	1 028	1 028	1 028	1 028	1 028
Side door entry width – G	1 030	1 030	1 030	930	930
Side load door entry height – L	1 292	1 292	1 292	1 292	1 292
Rear tailgate entry width – H	1 225	1 225	1 225	1 225	1 225
Rear tailgate entry height – J	1 297	1 297	1 297	1 297	1 297
Front track	1 736	1 736	1 736	1 736	1 736
Rear track	1 720	1 720	1 720	1 720	1 720
Ground clearance at centre	227 – 273	227 – 273	231 – 277	227 – 273	231-277
Ground clearance at front axle	159 – 176	159 – 176	160 – 175	159 – 176	160 – 175
Ground clearance at rear axle	119 – 137	119 – 137	118 – 137	119 – 137	118 – 137
DIMENSIONS (MM) – INTERIOR					
Luggage space between wheel arches – I	1 390	1 390	1 390	1 351	1 351
Load floor to roof – M	1 406	1 406	1 406	1 294	1 294
Loading height (height dimensions show the range from minimum to maximum of a fully laden vehicle to unladen vehicle) – O	457 – 589	457 – 589	450 – 583	457-589	450-583
DIMENSIONS – OTHER					
Gross vehicle mass (kg)	3 000	3 000	3 000	3 240	3 240
Ground clearance	238	238	245	238	245
Wading depth	600	600	600	600	600
Gross combined mass (kg)	4 400	4 600	4 600	4 240	4 240
Fuel tank capacity (L)	80	80	80	80	80
Kerb weight (kg)	2 085	2 085	2 061	2 408	2 420
Gross payload (kg)	915	915	939	786	820
Towing mass (braked) (kg)	1 400	1 600	1 600	1 000	950
Towing mass (unbraked) (kg)	750	750	750	750	750
FORD PROTECT					
Service Intervals	15 000km	15 000km	15 000km	15 000km	15 000km
Roadside Assistance	4-yr/unlimited km	4-yr/unlimited km	4-yr/unlimited km	4-yr/unlimited km	4-yr/unlimited km
Warranty (NVLW)	4-yr/120 000km	4-yr/120 000km	4-yr/120 000km	4-yr/120 000km	4-yr/120 000km
Corrosion Warranty	5-yr/unlimited km	5-yr/unlimited km	5-yr/unlimited km	5-yr/unlimited km	5-yr/unlimited km
Service Plan	Opt	Opt	Opt	Opt	Opt

All Transit and Tourneo derivatives retailed on or after 01 November 2021 will not have a service plan included in the vehicle in line with the Competition Commission's Guidelines for the Automotive Aftermarket Industry. Service and maintenance plans can be purchased directly from the Finance and Insurance Manager at any Ford Authorised dealership.

Ford reserves the right, subject to all applicable laws, to discontinue or change features and other specification either temporarily or permanently without incurring any liability to any prospective purchaser or purchasers.

*Roof Rack and extended running boards are included in as one option pack for automatic models.

Consult the vehicle handbook, www.ford.co.za or your nearest Ford Dealer for more information regarding Ford PROTECT plans and products. E and OE. **Printed April 2022.**



TRANSIT VAN	VAN	
	2.2 TDCi (MWB)	2.2L TDCi (ELWB)
ENGINE		
Type	2.2 Duratorq TDCi	2.2 Duratorq TDCi
Cylinders	Inline 4-cylinders	Inline 4-cylinders
Displacement (cm³)	2 198	2 198
Power (kW)	92	114
Torque (Nm)	350	385
Fuel requirement	Diesel	Diesel
Diesel particulate filter	Std	Std
TRANSMISSION		
Type	6-speed manual	6-speed manual
Final drive	4.71	4.10
WHEELS AND TYRES		
235/65 R16 – Steel wheel	Std	-
195/75 R16 – Steel wheel – (Dual rear wheel)	-	Std
Styled wheel covers	Std	Std
Spare wheel – Steel wheel	Std	Std
STEERING		
Type: rack and pinion with rack-mounted power-assisted	Std	Std
Turning circle (kerb-to-kerb) (m)	11.9	13.3
PERFORMANCE AND ECONOMY		
Fuel economy – combined cycle (NEDC L/100km)**	7.6	9.3
CO ₂ emission – (combined [g/km])**	201	244
SUSPENSION		
Front: Independent MacPherson struts, variable-rate coil springs, stabiliser bar and gas pressurised shock absorbers	Std	Std
Rear suspension: single leaf springs, gas pressurised shock absorbers	Std	Std
BRAKES		
Front ventilated discs	Std	Std
Rear solid discs	Std	Std
Emergency brake warning	Std	Std
Anti-lock Bracking System (ABS) with Electronic Brakeforce Distribution (EBD)	Std	Std
Emergency Brake Assist (EBA)	Std	Std
SAFETY AND SECURITY		
Driver airbag	Std	Std
Electronic Stability Programme (ESP)	Std	Std
Hill Launch Assist (HLA)	Std	Std
Traction control	Std	Std
Rollover Mitigation (ROM)	Std	Std
Centre high-mounted rear stop lamp	Std	Std
Power door deadlocks – shielded	Std	Std
Door entry remote – multi-channel – (rechargeable – 1 key fob and 1 plain key)	Std	Std
Rear doors mounted with lock/unlock switch	Std	Std
Drive-away locking with crash unlocking	Std	Std
Door auto-relocking enabled – (45 seconds conditional)	Std	Std
Two-stage unlocking with configurable unlocking config	Std	Std
Perimeter anti-theft alarm	Std	Std
COMFORT AND CONVENIENCE		
Radio with single AM/FM antenna, 2 front speakers, 2 tweeters	Std	Std
USB port, Bluetooth® and Voice Control	Std	Std
Steering-wheel-mounted audio controls	Std	Std
Auxiliary input	Std	Std
Manual Aircon	Opt	Opt
EXTERIOR		
180° opening rear doors	Std	-
270° opening rear doors (including magnetic door retainers)	-	Std
Headlamps – projector-style halogen reflector lights (quad-beam)	Std	Std
Manual headlamp levelling	Std	Std
Follow-me-home lighting	Std	Std
INTERIOR AND LOAD SPACE		
2 x 12V power points	Std	Std
Standard cloth seats	Std	Std
Front driver 3-point seatbelt with pre-tensioners	Std	Std
Front passenger 3-point seatbelts with load limiter	Std	Std
Front power windows with driver one-touch up/down functionality	Std	Std
Partial floor cover – rubber insulated easy-clean (or similar)	Std	Std
Load space lighting	Std	Std
Load compartment floor tie-down hooks	10	12

**The declared fuel consumption and CO₂ emissions figures were achieved during technical laboratory testing in accordance with the legislated technical specifications (SANS 20101: 2006/ECE R101: 2005 as last amended) and validated and approved by the UK Vehicle Certification Authority (VCA). Fuel consumption and CO₂ emissions figures are used to compare different vehicle types under uniform conditions, and are not necessarily indicative of real-life driving conditions. Note that the actual fuel consumption and emissions levels will depend on many factors and are directly affected by the length of the journey; number of passengers and the amount of luggage carried; individual driving style; road conditions; weather conditions; vehicle age, mileage, condition and standard of maintenance; use of vehicle features such as air conditioning; and any modifications to the vehicle. Your fuel economy will vary based on these and other factors and, for these reasons, many drivers may not achieve the EU fuel economy figures in day-to-day driving, although the vehicle is technically capable of doing so.

TRANSIT VAN	VAN	
	2.2L TDCi (MWB)	2.2L TDCi (ELWB)
DIMENSIONS – EXTERIOR		
Overall length (mm)	5 530	6 704
Overall width – with mirrors (mm)	2 474	2 474
Wheel base (mm)	3 300	3 750
Sliding door width (mm)	1 300	1 300
Sliding door aperture height (mm)	1 700	1 600
Rear door width (mm)	1 565	1 565
Rear door aperture height (mm)	1 748	1 887
Front track (mm)	1 732	1 740
Rear track (SRW) (mm)	1 743	-
Rear track (DRW) (mm)	-	1 670
DIMENSIONS – INTERIOR		
Max load length @ floor (no Bulkhead) (mm)	3 200	4 373
Max load length @ floor (with Bulkhead) (mm)	3 044	4 217
Max load length @ 1.2m high (with Bulkhead) (mm)	2 900	4 073
Max load width (mm)	1 784	1 784
Load space between wheel arches (mm)	1 390	1 154
Load floor to roof (mm)	1 886	2 025
Loadspace (max load) (m ³)	10	15.1
Loadspace (SAE method) (m ³)	9.1	13.5
Loadspace (VDA method) (m ³)	9.3	14.1
DIMENSIONS – OTHER		
Gross Vehicle Mass (GVM) (kg)	3 300	4 700
Gross Combined Mass (GCM) (kg)	5 325	7 000
Fuel tank capacity (L)	80	80
Kerb weight (kg)	1 900	2 355
Gross payload (kg)	1 325	2 270
Towing mass (braked) (kg)	2 800	3 500
Towing mass (unbraked) (kg)	750	750
FORD PROTECT		
Service Intervals	15 000km	15 000km
Service Plan	Opt	Opt
Roadside Assistance	4-yr/unlimited km	4-yr/unlimited km
Comprehensive Warranty	4-yr/120 000km	4-yr/120 000km
Corrosion Warranty	5-yr/unlimited km	5-yr/unlimited km
OPTIONS AVAILABLE AT EXTRA COST		
Trailer tow attachments (including trailer sway control and trailer brake controller)	Opt	Opt
Comfort Pack (front manual airconditioner and passenger airbag)	Opt	Opt
Rear-view camera with front and rear parking distance sensors	Opt	Opt

All Transit and Tourneo derivatives retailed on or after 01 November 2021 will not have a service plan included in the vehicle in line with the Competition Commission's Guidelines for the Automotive Aftermarket Industry. Service and maintenance plans can be purchased directly from the Finance and Insurance Manager at any Ford Authorised dealership.

Ford may, subject to all applicable laws, discontinue or change features and other specifications either temporarily or permanently, which changes will be communicated to the Ford Dealer Network. Consult the vehicle handbook, www.ford.co.za or your nearest Ford Dealer for more information regarding Ford PROTECT plans and products. E and OE. **Printed April 2022.**

TRANSIT CHASSIS CAB	CHASSIS CAB	
	2.2L TDCi (MWB)	2.2L TDCi (ELWB)
ENGINE		
Type	2.2 Duratorq TDCi	2.2 Duratorq TDCi
Cylinders	Inline 4-cylinders	Inline 4-cylinders
Displacement (cm ³)	2 198	2 198
Power (kW)	92	114
Torque (Nm)	350	385
Fuel requirement	Diesel	Diesel
Diesel particulate filter	Std	Std
TRANSMISSION		
Type	6-speed manual	6-speed manual
Final drive	4.71	4.10
WHEELS AND TYRES		
235/65 R16C – Steel wheel	Std	-
195/75 R16C – Steel wheel – dual rear wheel	-	Std
Styled wheel covers	-	Std
Spare wheel – Steel wheel	Std	Std
STEERING		
Type: rack and pinion with rack-mounted power-assisted	Std	Std
Turning circle (kerb-to-kerb) (m)	11.9	13.3
PERFORMANCE		
Fuel economy – combined cycle (NEDCL/100km)**	7.6	9.3
CO ₂ emission – (combined [g/km])**	201	244
SUSPENSION		
Front: Independent MacPherson struts, variable-rate coil springs, stabiliser bar and gas pressurised shock absorbers	Std	Std
Rear suspension: single leaf springs, gas pressurised shock absorbers	Std	Std
BRAKES		
Front ventilated discs	Std	Std
Rear solid discs	Std	Std
Emergency brake warning	Std	Std
Anti-lock Braking System with Electronic Brakeforce Distribution	Std	Std
Emergency Brake Assist (EBA)	Std	Std
SAFETY AND SECURITY		
Driver airbag	Std	Std
Electronic Stability Programme (ESP)	Std	Std
Hill Launch Assist (HLA)	Std	Std
Traction control	Std	Std
Rollover Mitigation (ROM)	Std	Std
Power door deadlocks – shielded	Std	Std
Door entry remote – multi-channel – (rechargeable – 1 key fob and plain key)	Std	Std
Drive-away locking with crash unlocking	Std	Std
Door auto-relocking enabled – 45 seconds conditional	Std	Std
Perimeter anti-theft alarm	Std	Std
COMFORT AND CONVENIENCE		
Radio with single AM/FM antenna, 2 front speakers, 2 tweeters	Std	Std
USB port, Bluetooth® and Voice Control	Std	Std
Steering-wheel-mounted audio controls	Std	Std
Auxiliary input	Std	Std
Manual Aircon	Opt	Opt
INTERIOR		
2 x 12V power points	Std	Std
Partial floor cover – rubber insulated easy-clean (or similar)	Std	Std
EXTERIOR		
Side marker lamps	Std	Std
Door handles – self colour	Std	Std
Front bumper – partial body colour	Std	Std
Rear bumper underrun bar	Std	Std
Grille – self colour	Std	Std
Rear mudflaps	Std	Std
Wipers – front, variable/intermittent with electric wash	Std	Std
Roof mounted light	-	Std
Headlamps – projector-style halogen reflector lights (quad-beam)	Std	Std
Manual headlamp levelling	Std	Std
Follow-me-home lighting	Std	Std

**The declared fuel consumption and CO₂ emissions figures were achieved during technical laboratory testing in accordance with the legislated technical specifications (SANS 20101: 2006/ECE R101: 2005 as last amended) and validated and approved by the UK Vehicle Certification Authority (VCA). Fuel consumption and CO₂ emissions figures are used to compare different vehicle types under uniform conditions, and are not necessarily indicative of real-life driving conditions. Note that the actual fuel consumption and emissions levels will depend on many factors and are directly affected by the length of the journey; number of passengers and the amount of luggage carried; individual driving style; road conditions; weather conditions; vehicle age, mileage, condition and standard of maintenance; use of vehicle features such as air conditioning; and any modifications to the vehicle. Your fuel economy will vary based on these and other factors and, for these reasons, many drivers may not achieve the EU fuel economy figures in day-to-day driving, although the vehicle is technically capable of doing so.

TRANSIT CHASSIS CAB	CHASSIS CAB	
	2.2L TDCi (MWB)	2.2L TDCi (ELWB)
DIMENSIONS (MM) – EXTERIOR		
Overall length (with float) (mm)	5 767	6 797
Overall width (without float) DRW with mirrors (mm)	2 474	2 474
Wheelbase (mm)	3 504	3 954
Front track (mm)	1 732	1 740
Rear track (SRW) (mm)	1 743	-
Rear track (DRW) (mm)	-	1 670
DIMENSIONS – OTHER		
Gross Vehicle Mass (GVM) (kg)	3 300	4 700
Gross Combined Mass (GCM) (kg)	5 000	7 000
Fuel tank capacity (L)	80	80
Kerb weight (kg)	1 628	1 934
Gross payload without float (kg)	1 597	2 691
Towing mass (braked) (kg)	2 800	3 500
Towing mass (unbraked) (kg)	750	750
FORD PROTECT		
Service Intervals	15 000km	15 000km
Service Plan	Opt	Opt
Roadside Assistance	4-yr/unlimited km	4-yr/unlimited km
Warranty (NVLW)	4-yr/120 000km	4-yr/120 000km
Corrosion Warranty	5-yr/unlimited km	5-yr/unlimited km
OPTIONS AVAILABLE AT EXTRA COST		
Standard aluminium wide float	Opt	Opt
Comfort Pack (front manual airconditioner and passenger airbag)	Opt	Opt

All Transit and Tourneo derivatives retailed on or after 01 November 2021 will not have a service plan included in the vehicle in line with the Competition Commission's Guidelines for the Automotive Aftermarket Industry. Service and maintenance plans can be purchased directly from the Finance and Insurance Manager at any Ford Authorised dealership.

Ford may, subject to all applicable laws, discontinue or change features and other specifications either temporarily or permanently, which changes will be communicated to the Ford Dealer Network. Consult the vehicle handbook, www.ford.co.za or your nearest Ford Dealer for more information regarding Ford PROTECT plans and products. E and OE. **Printed April 2022.**