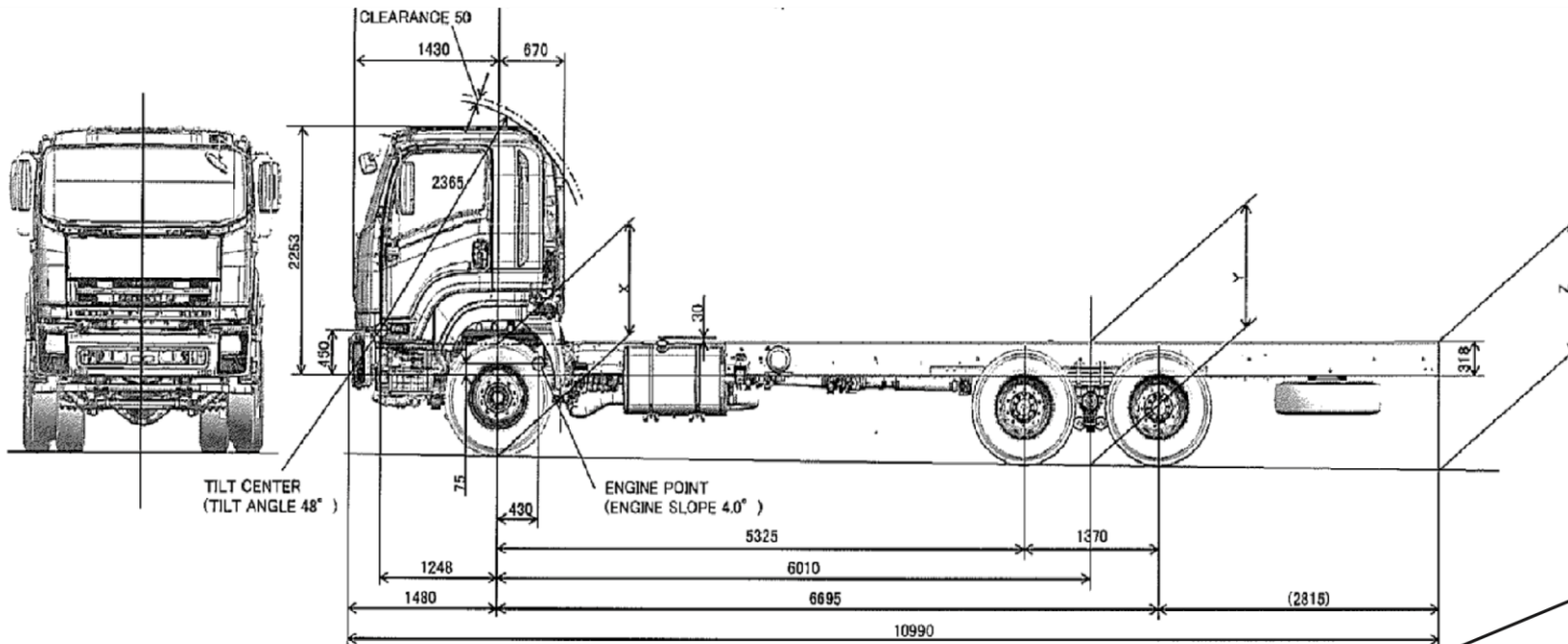
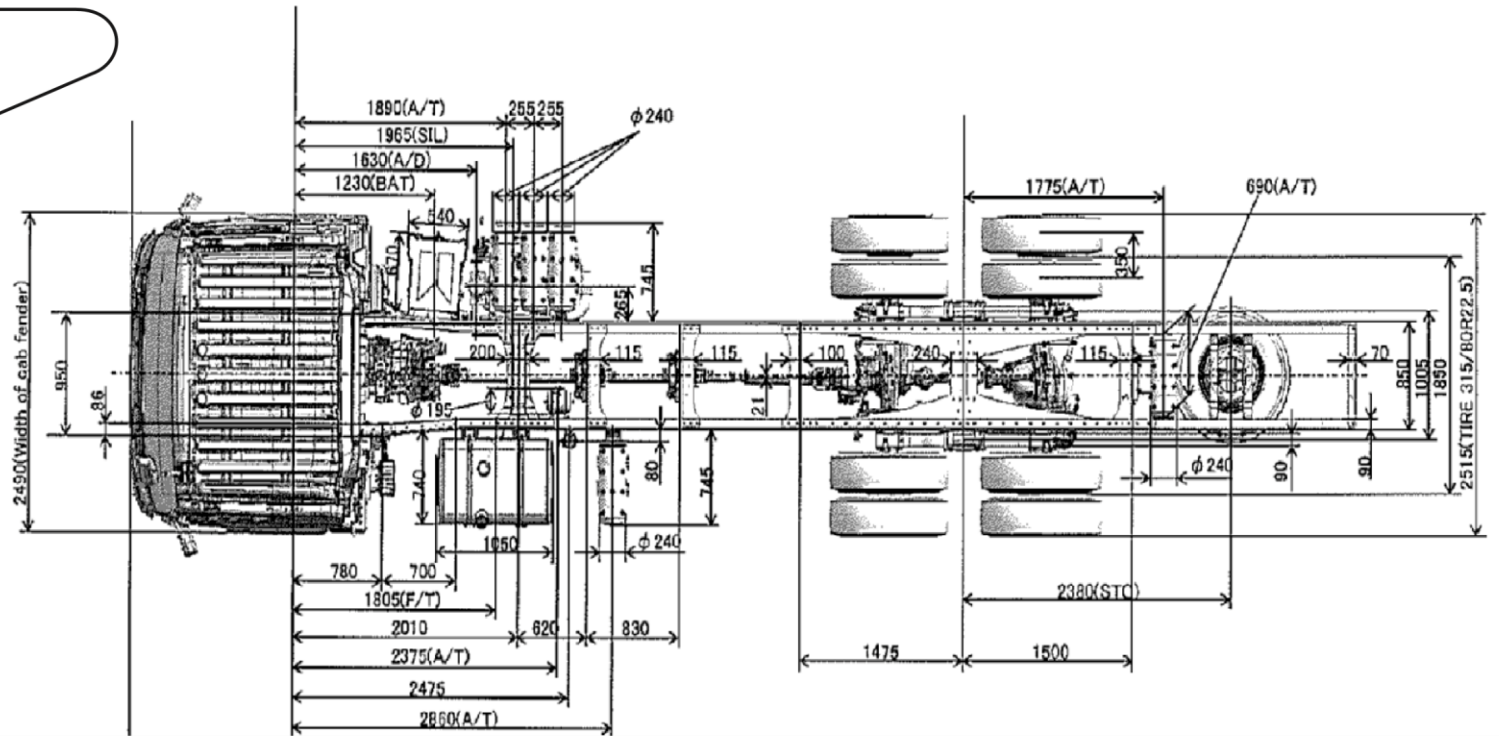


# FX2-26/360

## CHASSIS CAB DRAWINGS



**HH – REAR GROUND CLEARANCE**  
265mm

**EH – CHASSIS REAR END HEIGHT**  
1020 mm

www.isuzu.co.za  

**ISUZU**  
With you, for the long run