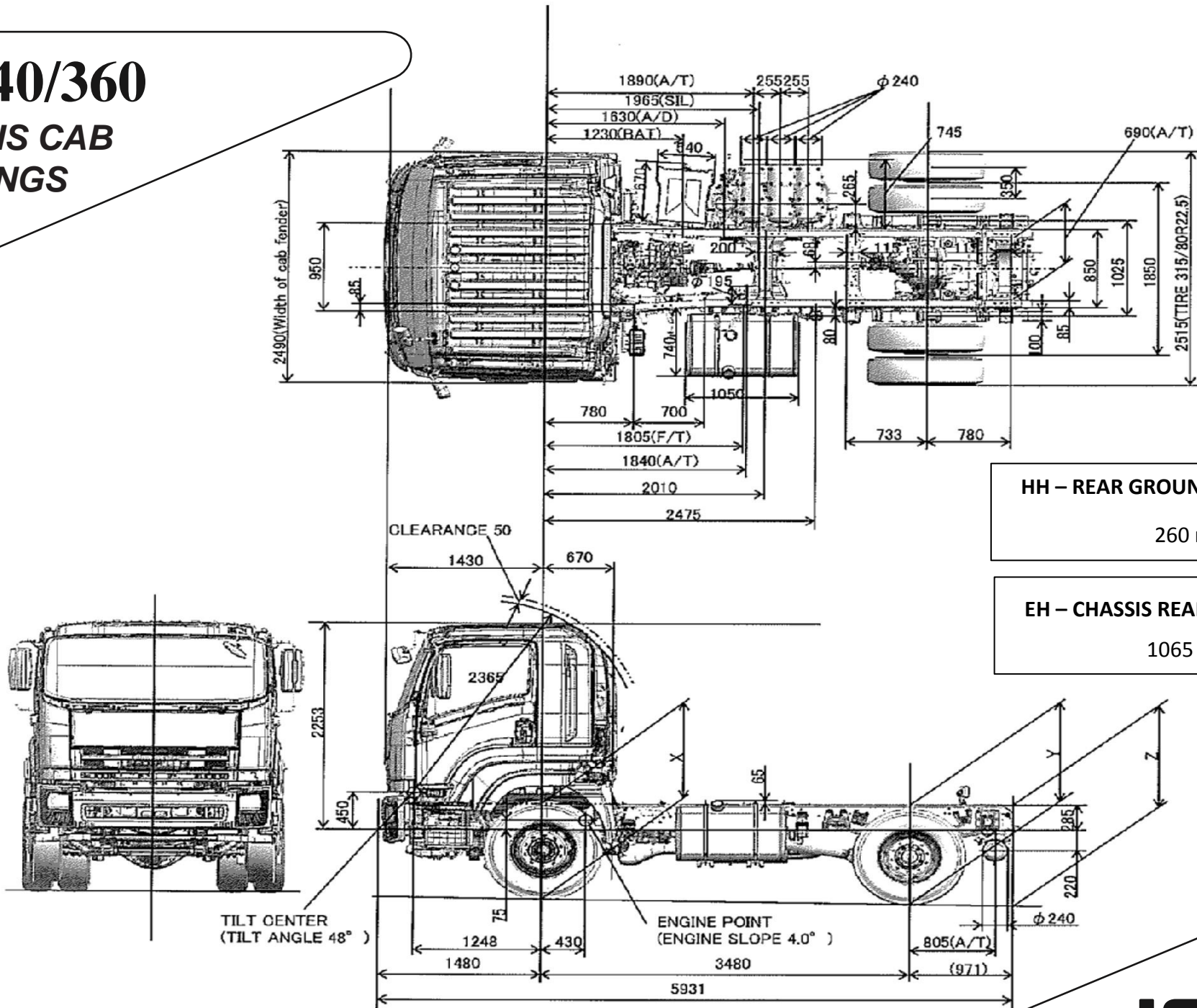


GX-40/360

CHASSIS CAB

DRAWINGS



HH – REAR GROUND CLEARANCE
260 mm

EH – CHASSIS REAR END HEIGHT
1065 mm

www.isuzu.co.za  

ISUZU
With you, for the long run