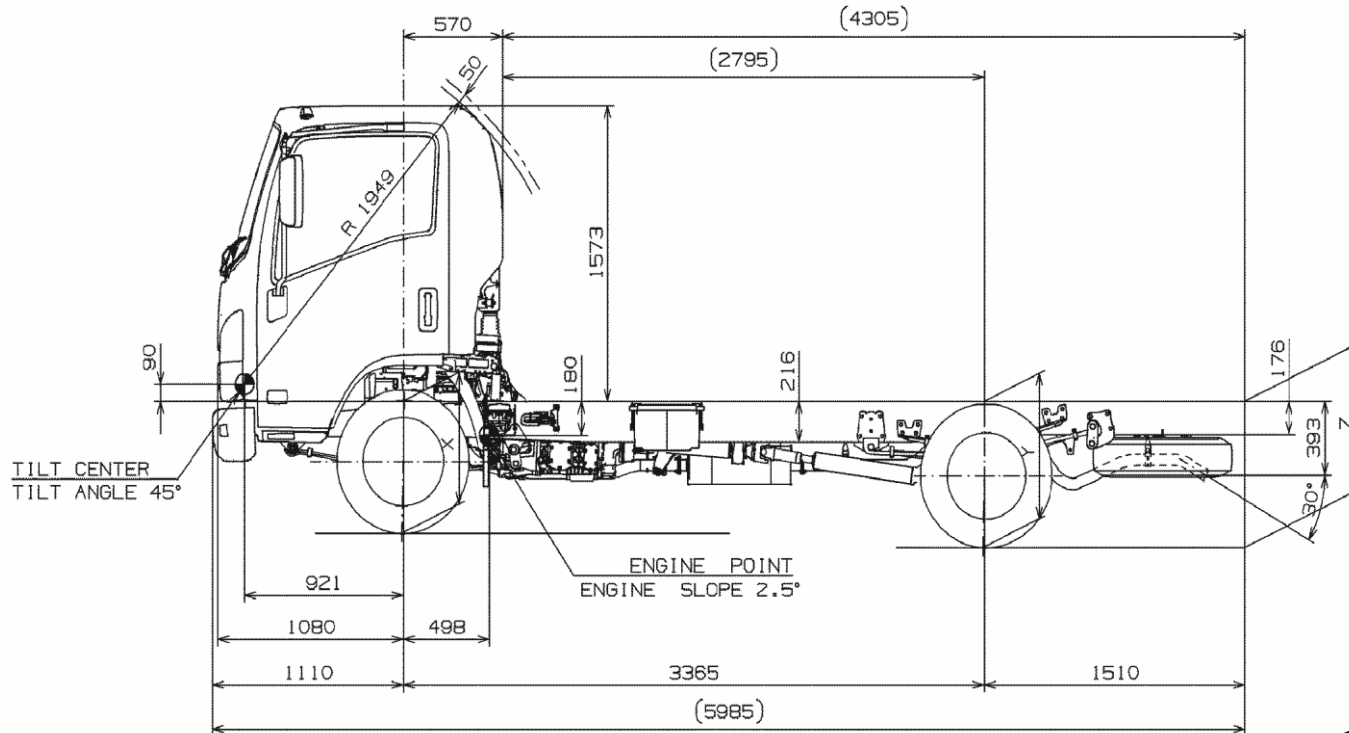
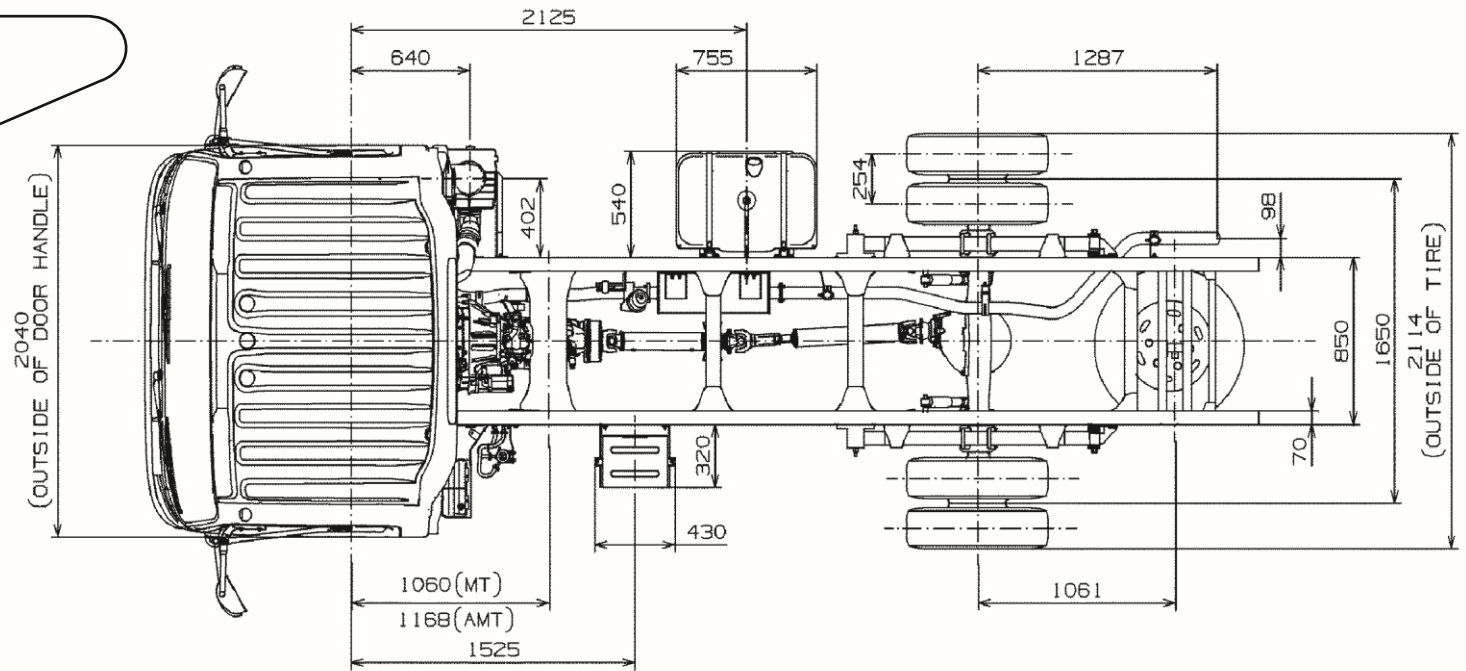


NPR-300 AMT

CHASSIS CAB

DRAWINGS



HH – REAR GROUND CLEARANCE

210 mm

EH – CHASSIS REAR END HEIGHT

770 mm

www.isuzu.co.za f t

ISUZU

With you, for the long run