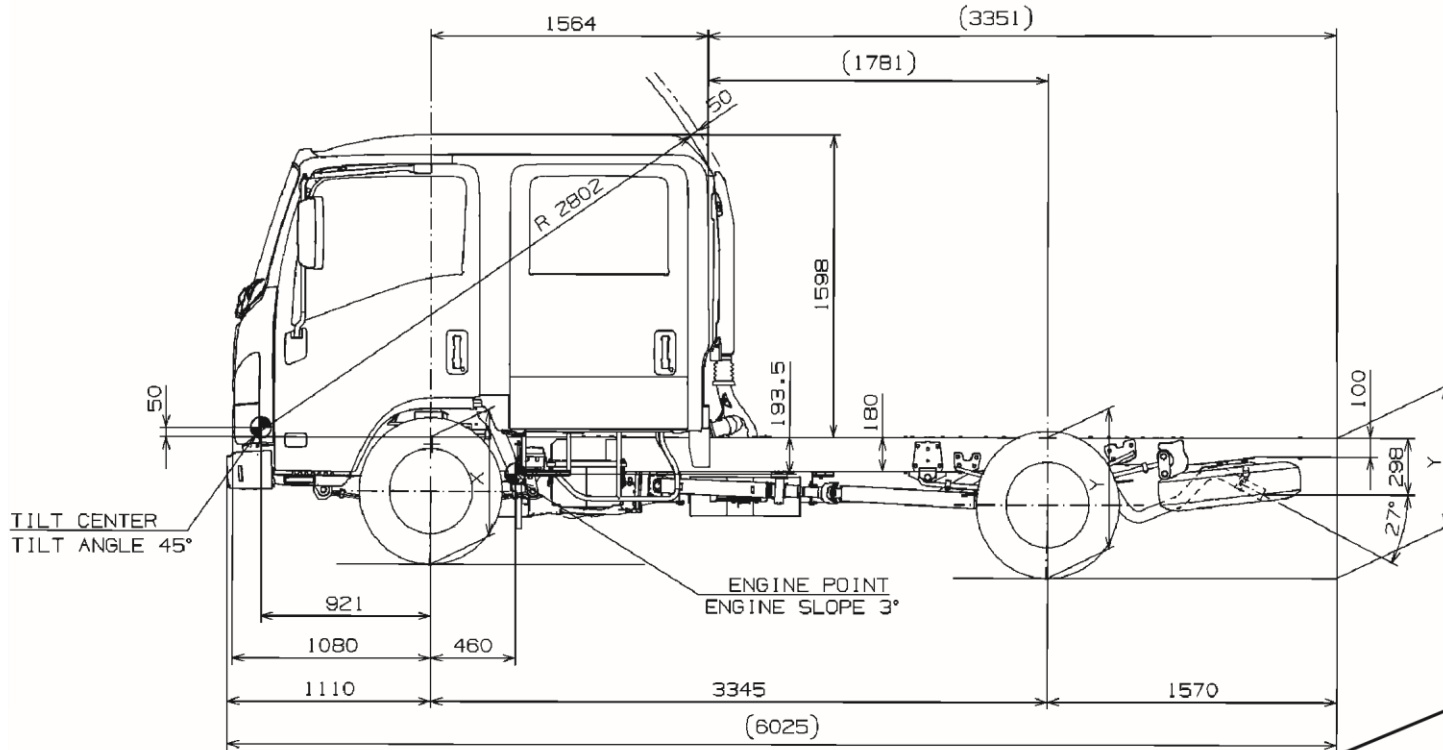
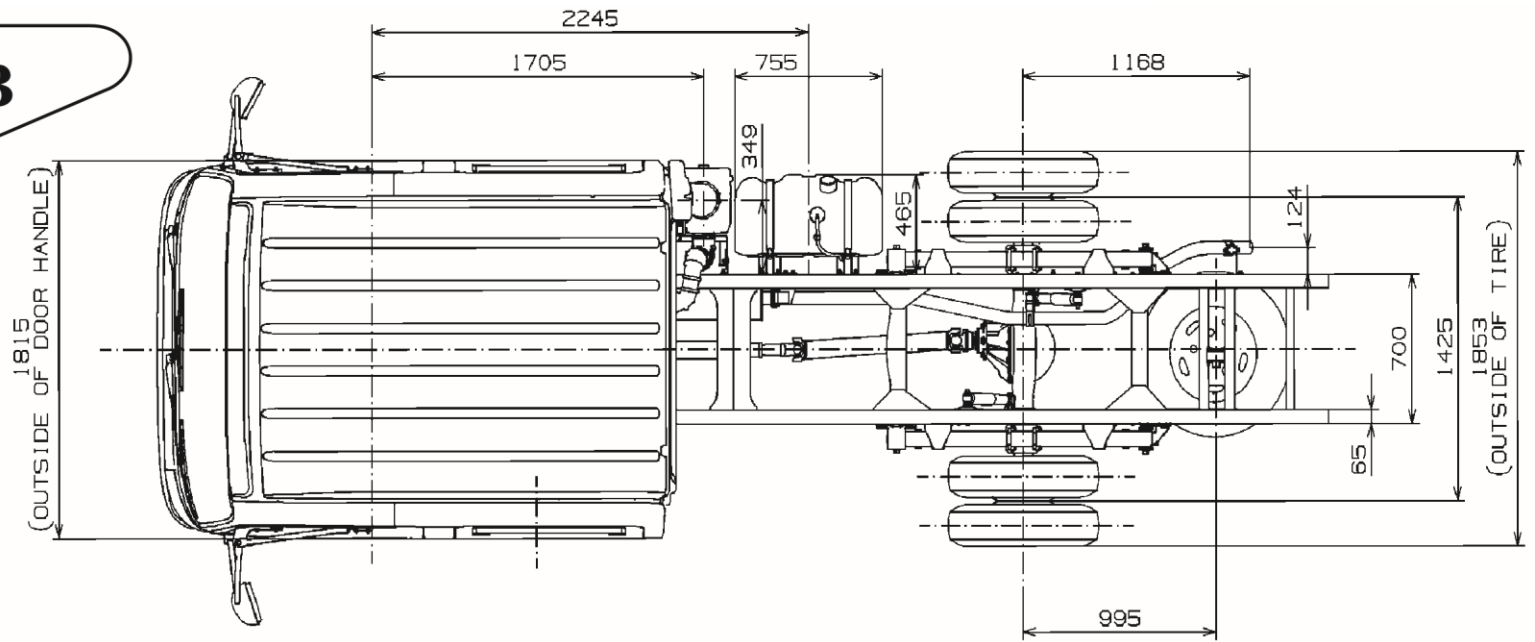


NMR-250 CREW CAB

CHASSIS CAB DRAWINGS



HH – REAR GROUND CLEARANCE
190mm

EH – CHASSIS REAR END HEIGHT
770mm

www.isuzu.co.za f t

ISUZU
With you, for the long run