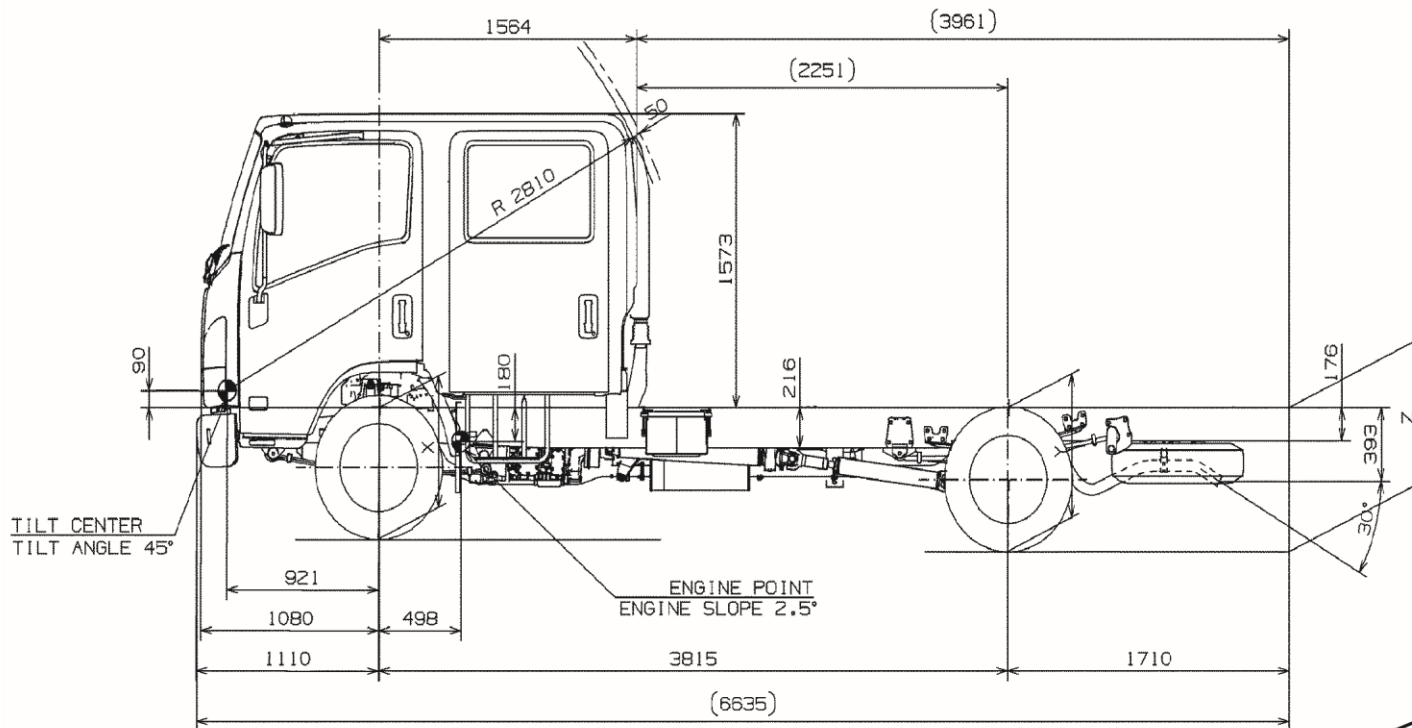
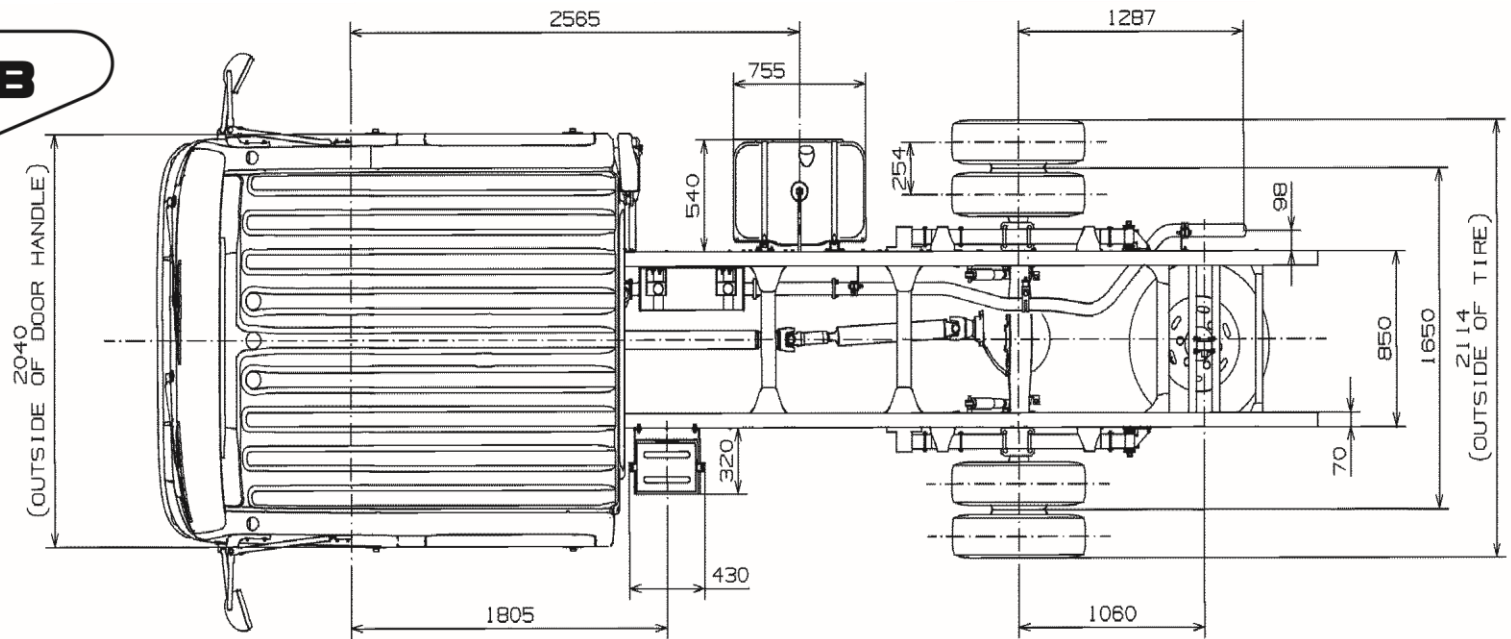


# NPR-400 CREW CAB

## CHASSIS CAB DRAWINGS



**HH – REAR GROUND CLEARANCE**  
210mm

**EH – CHASSIS REAR END HEIGHT**  
770mm

www.isuzu.co.za f t

# ISUZU

*With you, for the long run*