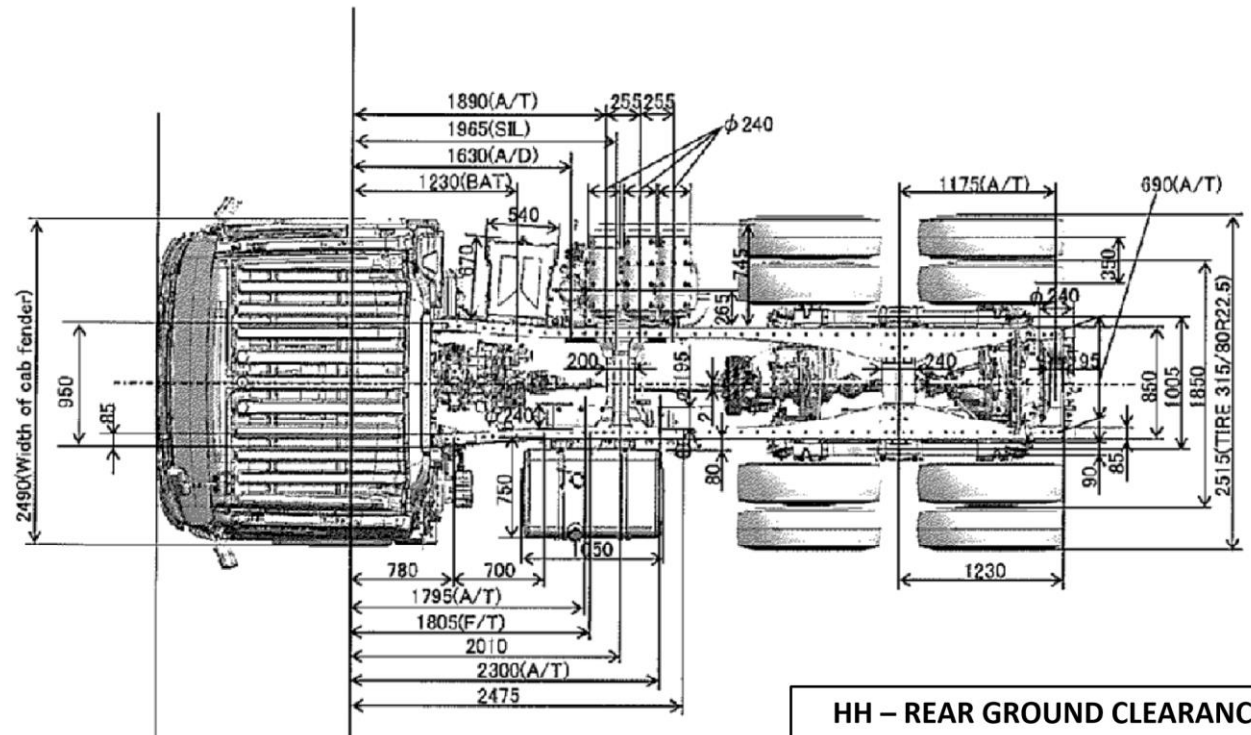


GX2-45/360

CHASSIS CAB DRAWINGS

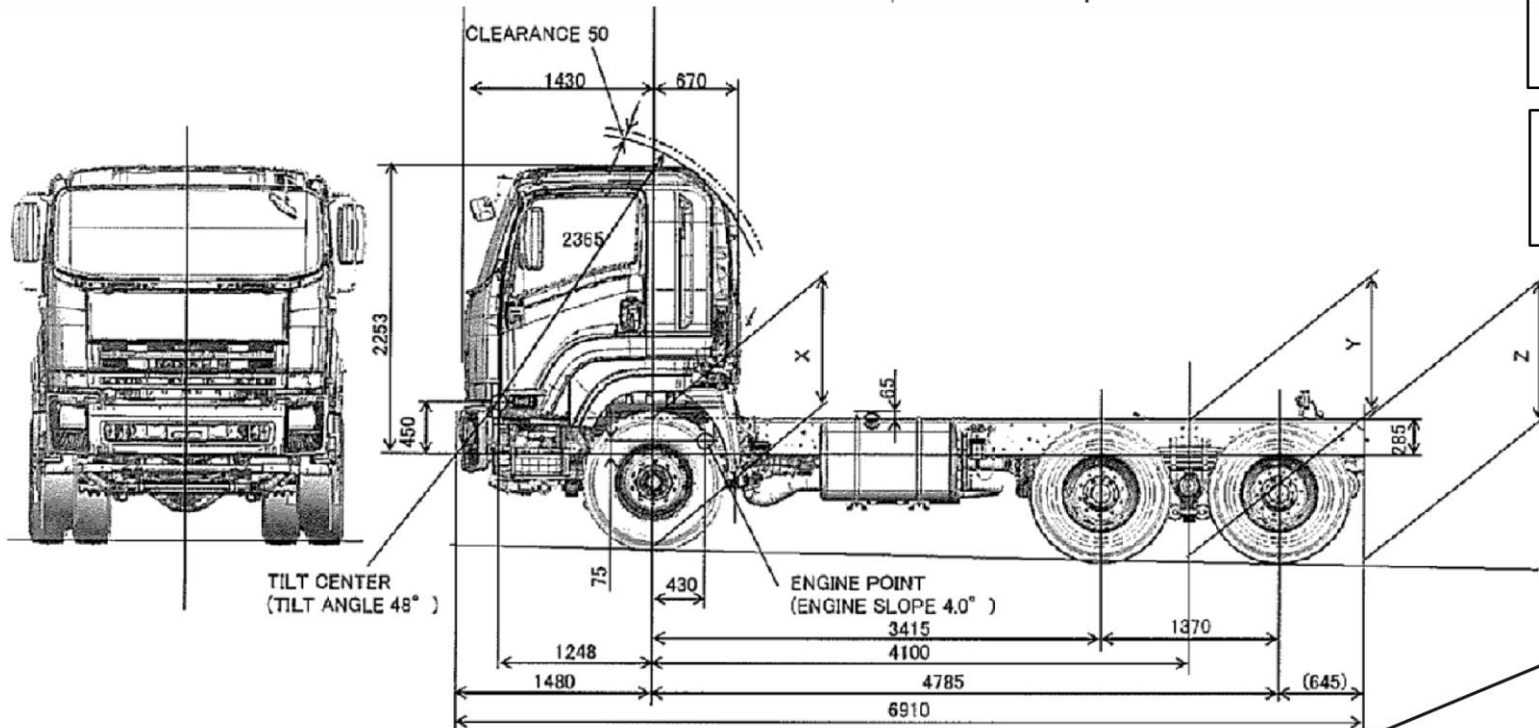


HH – REAR GROUND CLEARANCE

265mm

EH – CHASSIS REAR END HEIGHT

1125 mm



TILT CENTER
(TILT ANGLE 48°)

www.isuzu.co.za  

ISUZU

With you, for the long run