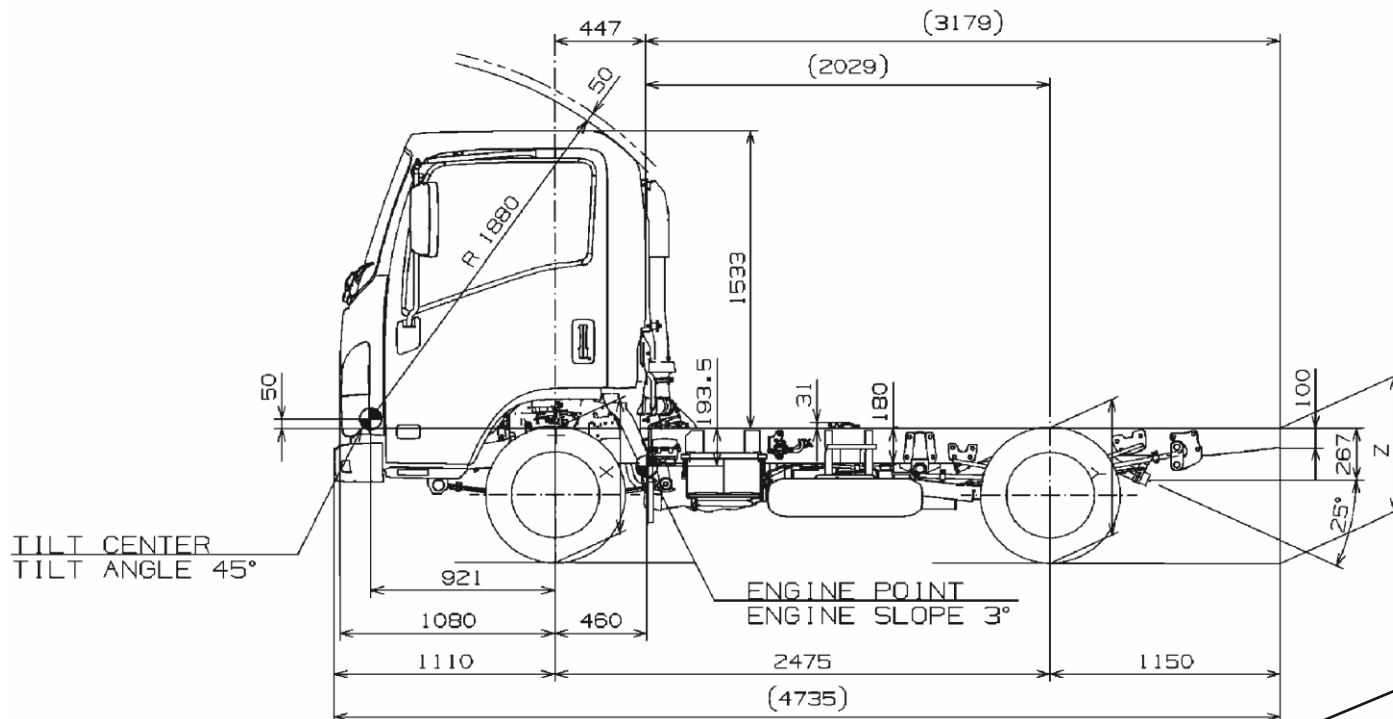
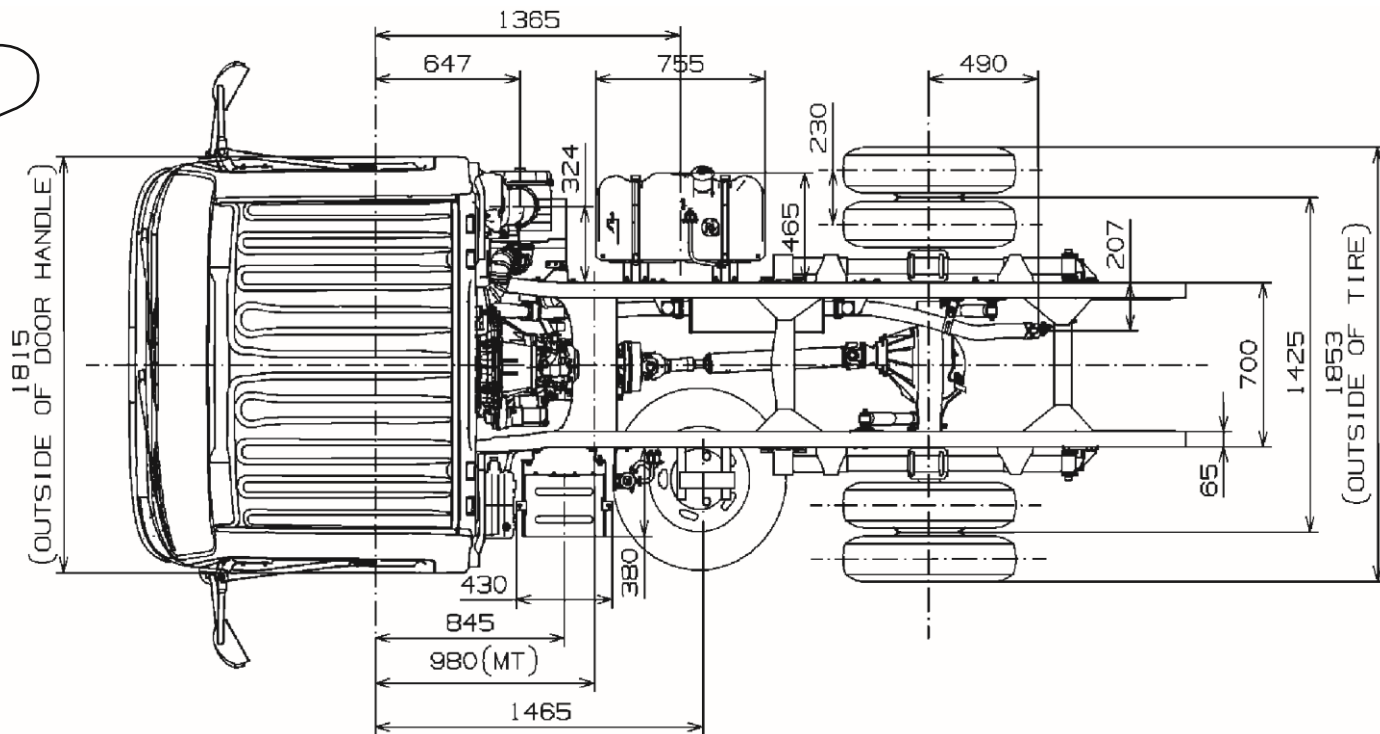


NMR-250 SWB

CHASSIS CAB DRAWINGS



HH – REAR GROUND CLEARANCE
190mm

EH – CHASSIS REAR END HEIGHT
770mm

TILT CENTER
TILT ANGLE 45°

www.isuzu.co.za  

ISUZU

With you, for the long run