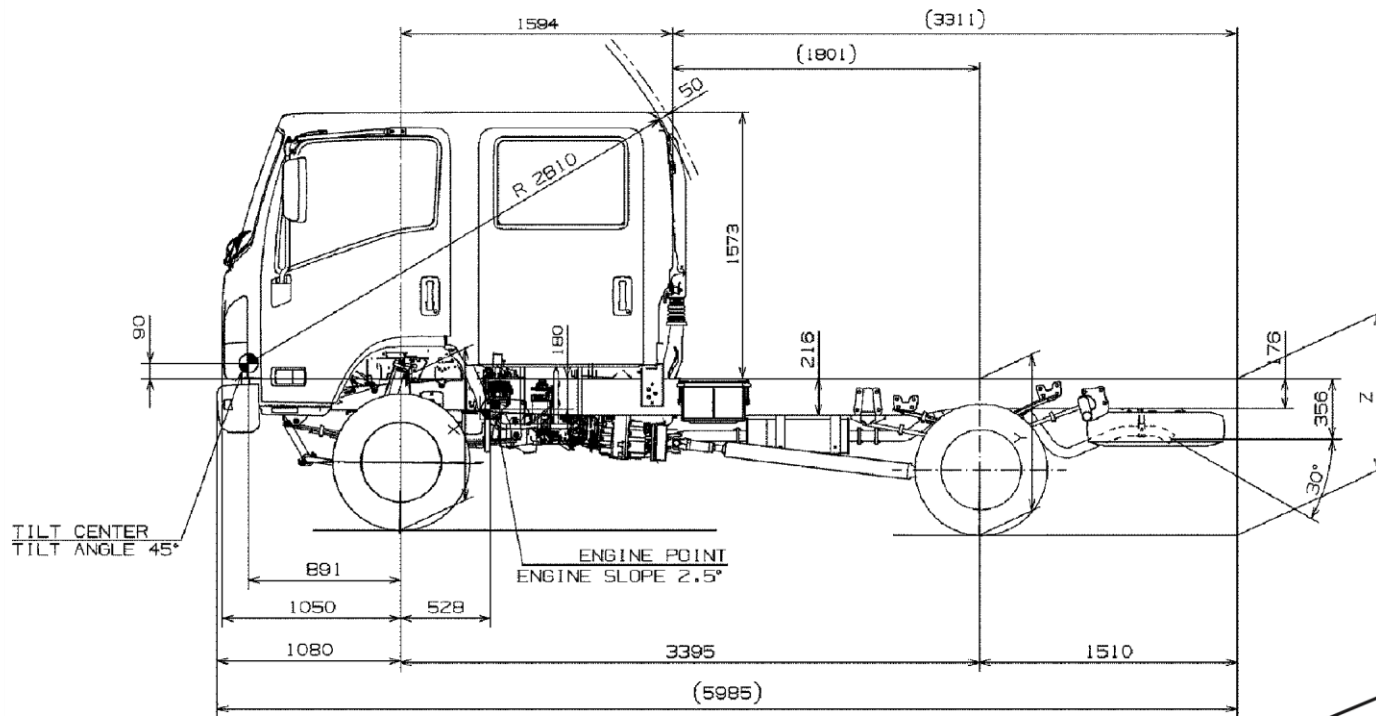
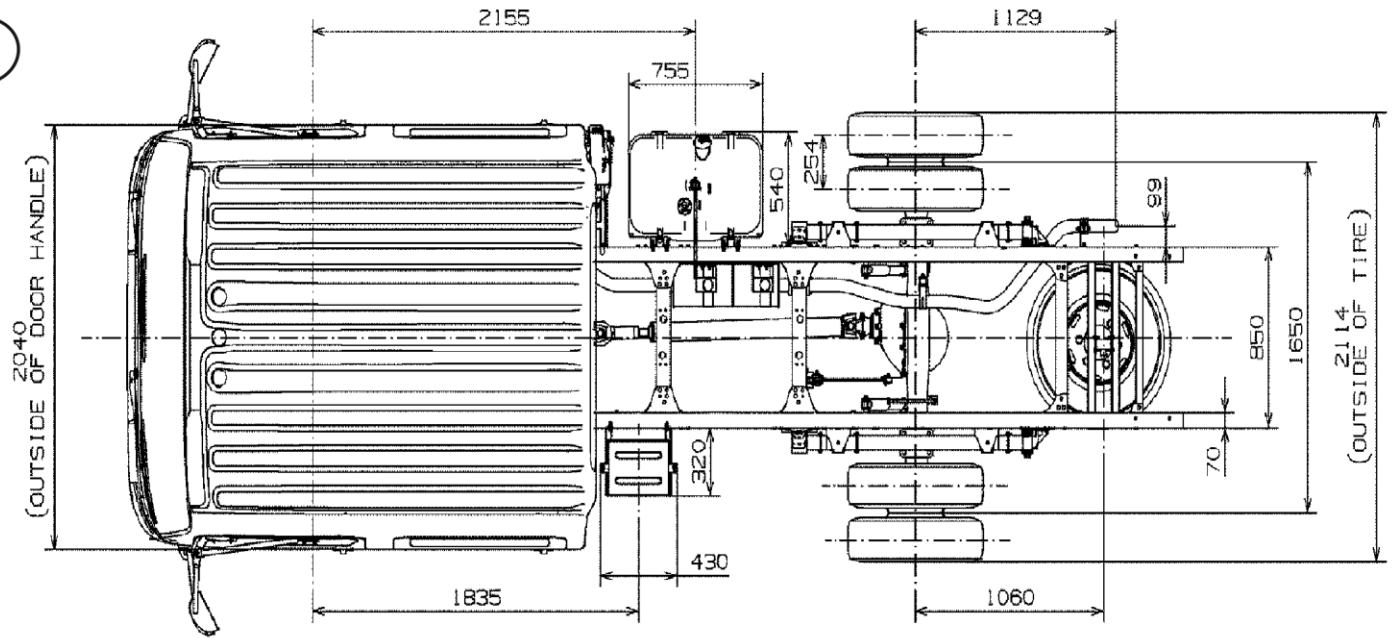


# NPS-300 CREW CAB

## CHASSIS CAB DRAWINGS

APPROACH ANGLE	23.7°
DEPARTURE ANGLE	32.9°
BREAK OVER ANGLE	32.1°



**HH – REAR GROUND CLEARANCE**  
210 mm

**EH – CHASSIS REAR END HEIGHT**  
770 mm

www.isuzu.co.za  

**ISUZU**  
*With you, for the long run*