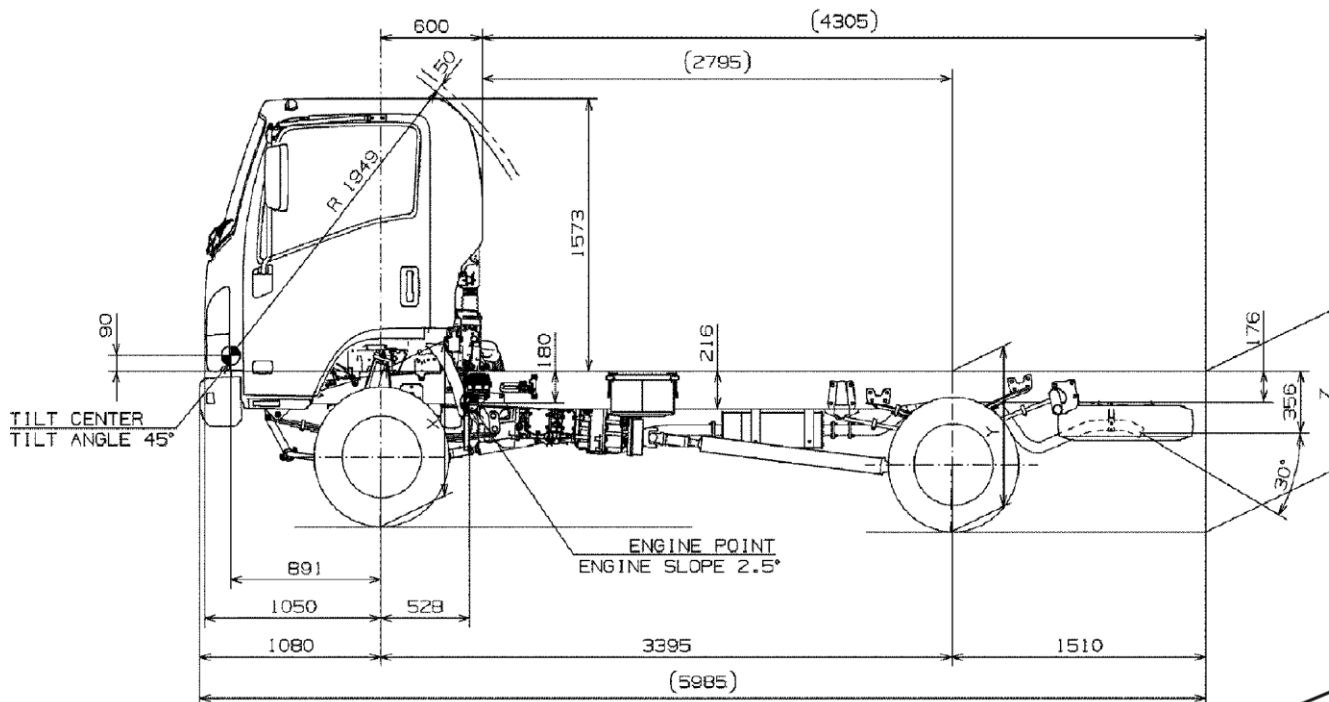
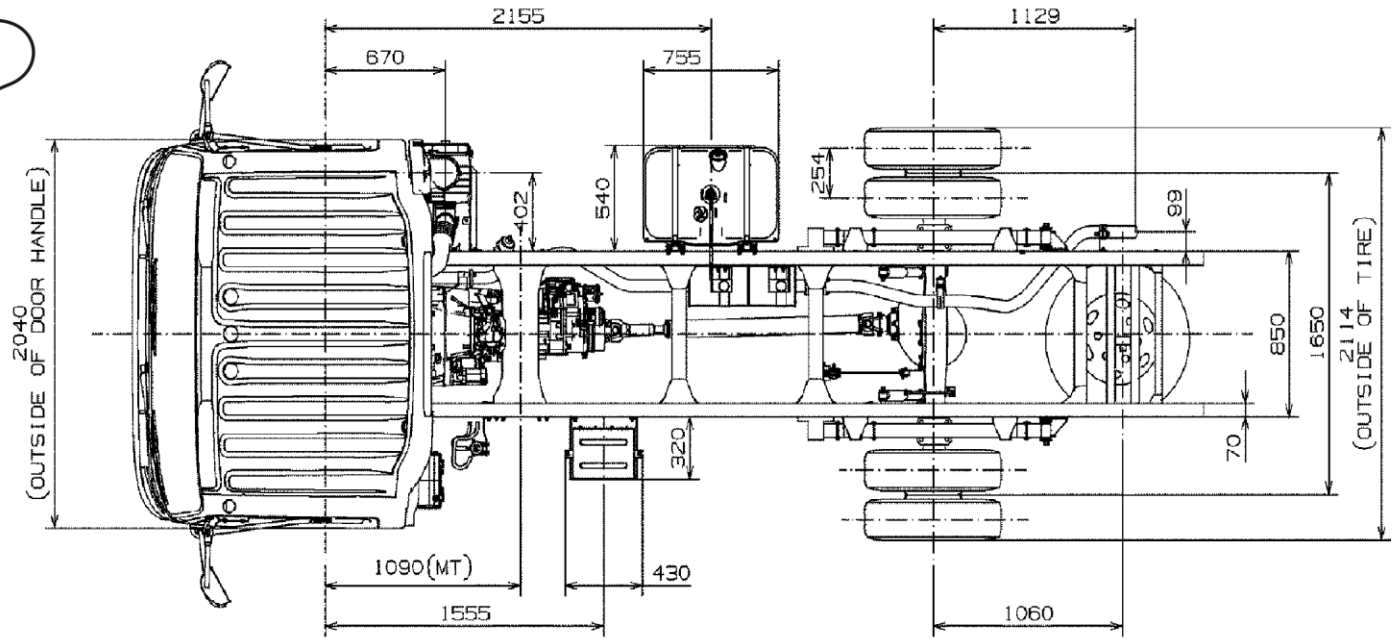


NPS-300

CHASSIS CAB DRAWINGS

APPROACH ANGLE	23.7°
DEPARTURE ANGLE	32.9°
BREAK OVER ANGLE	32.1°



HH – REAR GROUND CLEARANCE
210 mm

EH – CHASSIS REAR END HEIGHT
770 mm

www.isuzu.co.za  

ISUZU
With you, for the long run