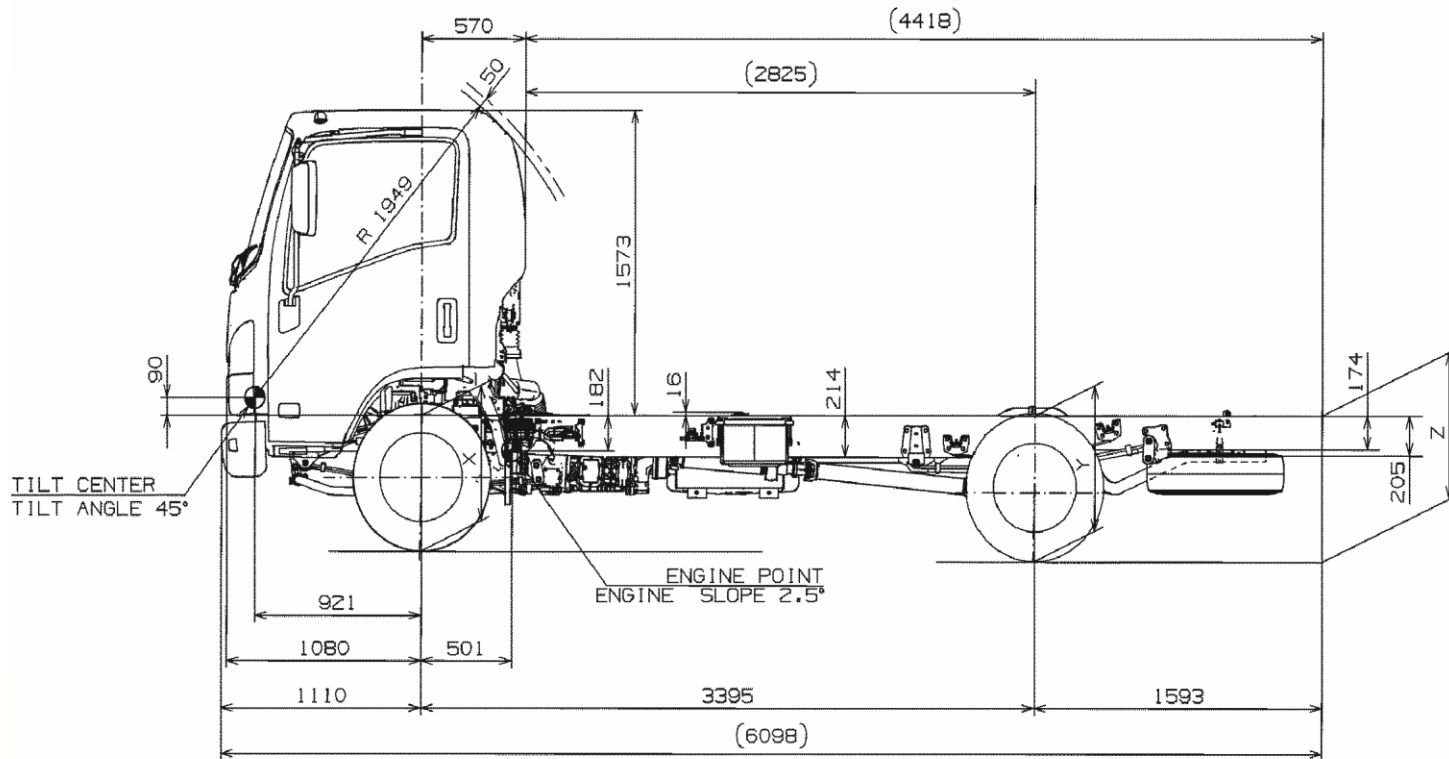
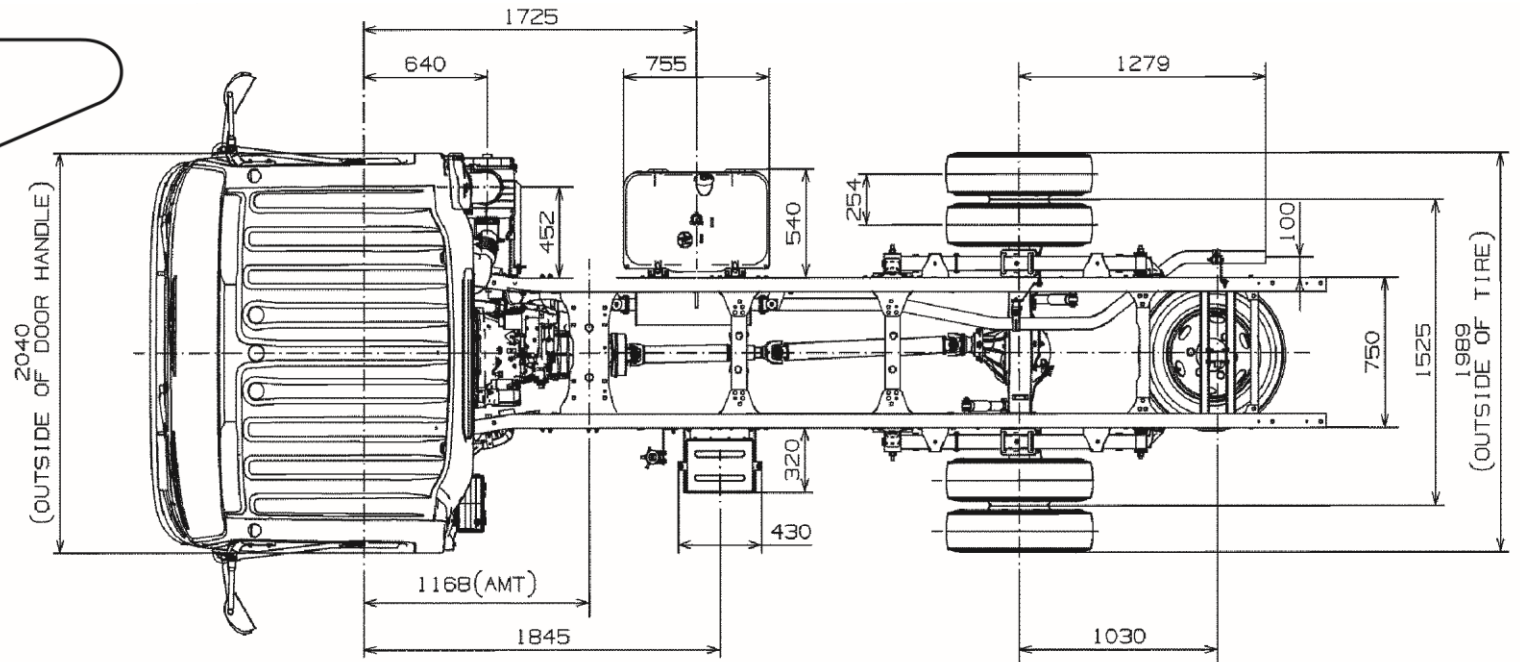


NPR-275

CHASSIS CAB DRAWINGS



HH – REAR GROUND CLEARANCE

210mm

EH – CHASSIS REAR END HEIGHT

770 mm

www.isuzu.co.za f t

ISUZU

With you, for the long run