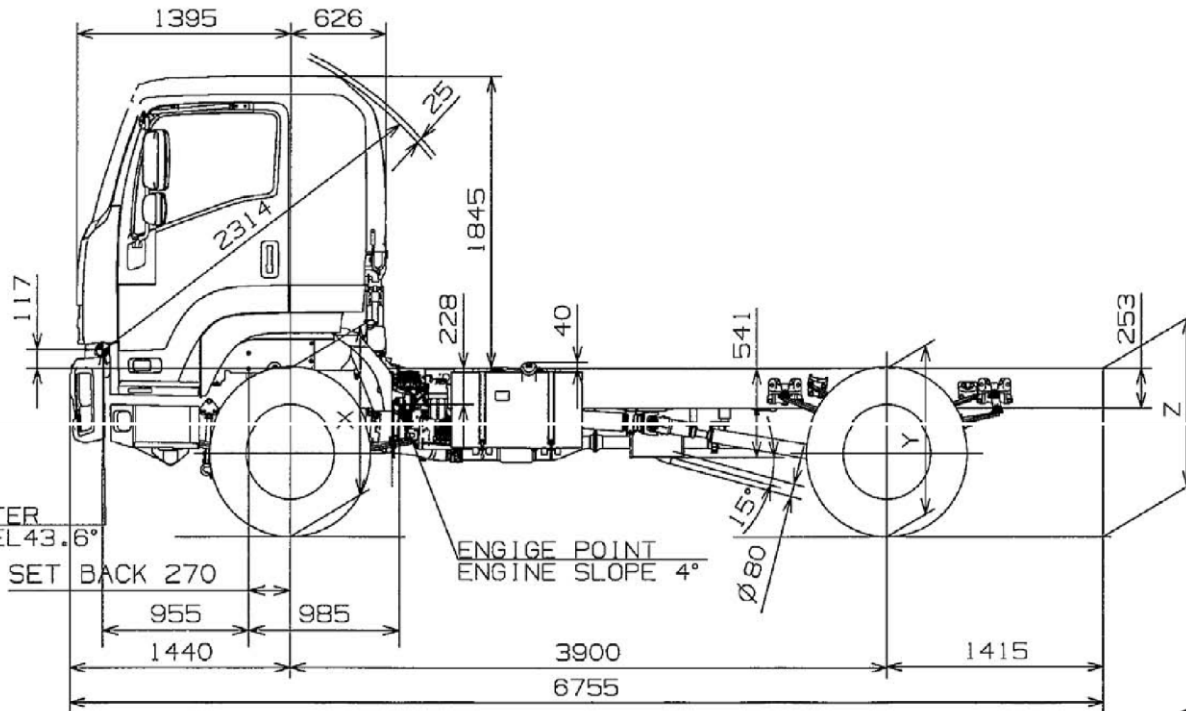
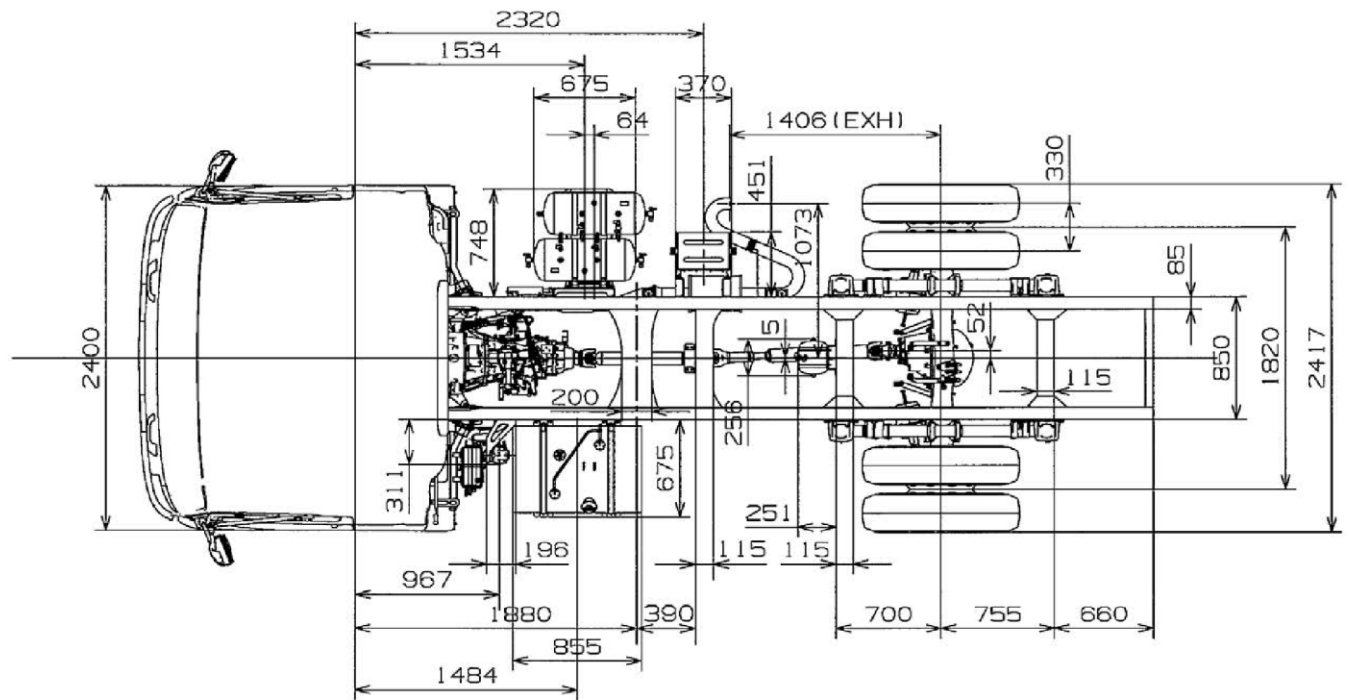


FTR-850 TIPPER

CHASSIS CAB DRAWINGS



HH – REAR GROUND CLEARANCE
260 mm

EH – CHASSIS REAR END HEIGHT
1050 mm

www.isuzu.co.za f t

ISUZU
With you, for the long run