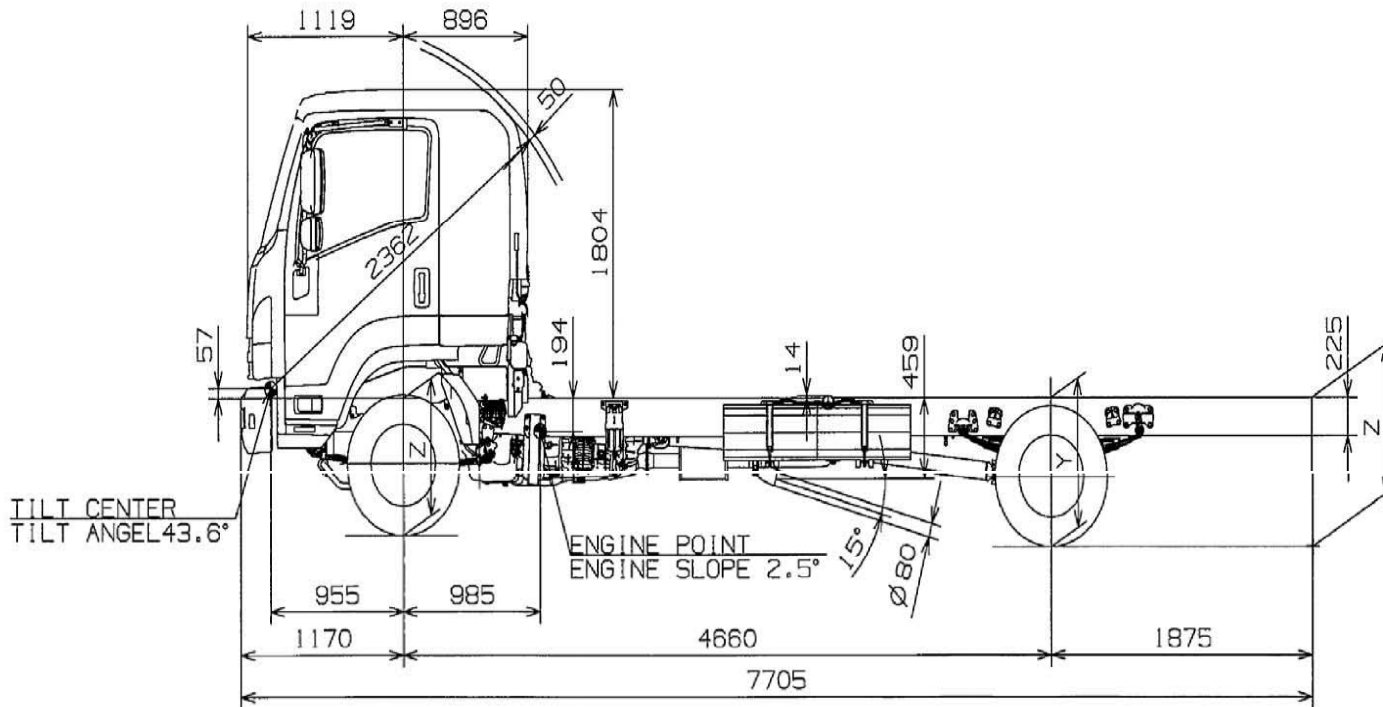
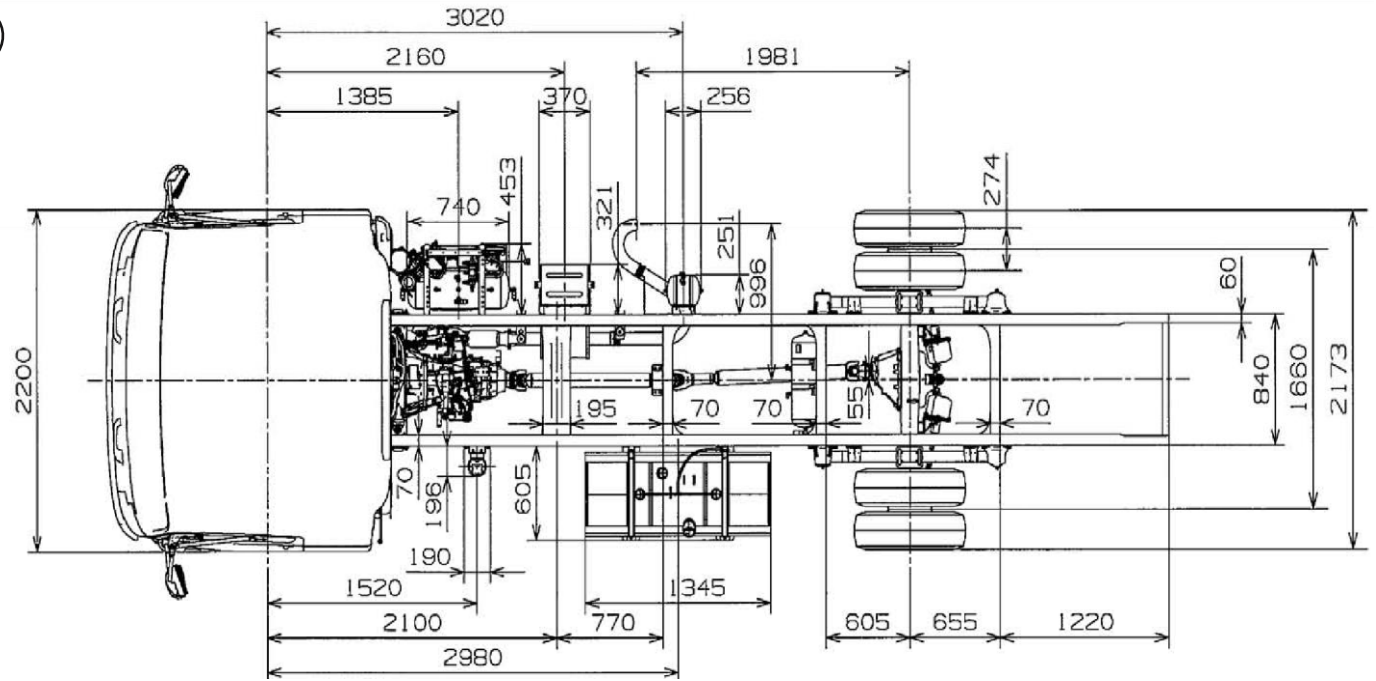


# FRR-550

## CHASSIS CAB

### DRAWINGS



**HH – REAR GROUND CLEARANCE**  
170 mm

**EH – CHASSIS REAR END HEIGHT**  
930 mm

www.isuzu.co.za  

**ISUZU**  
With you, for the long run