

---

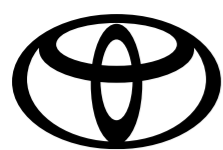
# TOYOTA VITZ



**MORE CAR. MORE  
STYLE. LESS CASH**



Issued on: 2025/02/24



# SPECIFICATIONS

Toyota Vitz 1.0 XR MT

Toyota Vitz 1.0 XR AMT

Toyota Vitz 1.0 MT

## Engine and Drivetrain

Bore x Stroke (mm)	73.0*79.5	73.0*79.5	73.0*79.5
Displacement (cm³)	998	998	998
Fuel System	Petrol	Petrol	Petrol
Maximum Power (kW @ r/min)	49 @ 5500	49 @ 5500	49 @ 5500
Maximum Torque (Nm @ r/min)	89 @ 3500	89 @ 3500	89 @ 3500
Number of Cylinders and Arrangement	Inline-3	Inline-3	Inline-3
Engine capacity (litre)	1.0	1.0	1.0
Fuel Consumption (Combined Cycle) (l/100km)	4.4	4.2	4.4
CO2 Emission (g/km)	101	97	101

## Transmission

Transmission	Manual-5-speed	Automated-Manual	Manual-5-speed
Driven Wheels	FWD	FWD	FWD
Starting System	Rotary (Mechanical)	Rotary (Mechanical)	Rotary (Mechanical)

## Suspension

Front	MacPherson Strut	MacPherson Strut	MacPherson Strut
Rear	Torsion-Beam	Torsion-Beam	Torsion-Beam

## Wheels and Tyres

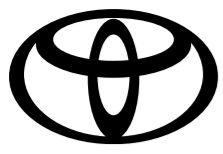
Spare Wheel	Full 165-70R14 Steel	Full 165-70R14 Steel	Full 165-70R14 Steel
Tyre Size	F:175-60R15 Alloy R:175-60R15 Alloy	F:175-60R15 Alloy R:175-60R15 Alloy	F:165-70R14 Steel R:165-70R14 Steel

## Body and Styling

Antenna	•	•	•
Body Colour	Monotone	Monotone	Monotone
Door Outside Handles	Colour - Coded	Colour - Coded	Black
Front Bumper	Colour Coded	Colour Coded	Colour Coded
Front Fog Lamps	•	•	
Headlights	Halogen	Halogen	Halogen
High-Mounted Brake Light	•	•	•
Luggage Boot / Rear Door	•	•	Standard Manual
Side Mirrors	Colour Coded Power	Colour Coded Power	Black
Front Grille	Black, Chrome	Black, Chrome	Black, Chrome
Rear Bumper	Colour Coded	Colour Coded	Colour Coded
Front Window Wiper	Intermittent	Intermittent	Intermittent
Rear Window Wiper	•	•	

## Interior, Comfort and Convenience

Cupholders	Standard 2	Standard 2	Standard 2
Floor Carpet Trim	Carpet	Carpet	Carpet



# SPECIFICATIONS

Toyota Vitz 1.0 XR MT

Toyota Vitz 1.0 XR AMT

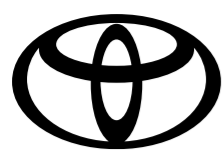
Toyota Vitz 1.0 MT

## Interior, Comfort and Convenience

Front Headrest	Integrated 2	Integrated 2	Integrated 2
Rear View Mirror	Day & Night	Day & Night	•
Key Reminder Warning	•	•	•
Speedometer	Analog Tachometer	Analog Tachometer	Analog
Steering Wheel	3 Spoke Urethane	3 Spoke Urethane	3 Spoke Urethane
Seat Back Pockets	Standard Passenger only	Standard Passenger only	Standard Passenger only
Shift Lever & Knob			Urethane
Airconditioner	Manual	Manual	Manual
Audio System	Toyota Display Audio	Toyota Display Audio	
Bluetooth	•	•	
Door Ajar Warning	•	•	•
Heater	Manual	Manual	Manual
Power Socket	Front - 12V	Front - 12V	Front - 12V
Power Steering			
Electric Windows	All One Touch Driver only	All One Touch Driver only	
Speakers	Standard 4	Standard 4	Standard 2
Steering Column Adjustments	Manual Tilt	Manual Tilt	Manual
USB	Standard 1	Standard 1	
Android Auto & Apple CarPlay	•	•	
Toyota Connect Enabled	•	•	•

## Safety and Security

Anti-Theft System	Immobiliser Alarm	Immobiliser Alarm	Immobiliser
Centre Rear Seatbelt	Standard Lap	Standard Lap	Standard Lap
Child Lock	Standard Rear door	Standard Rear door	Standard Rear door
Child Restraint System (ISOFIX)	Standard 2	Standard 2	Standard 2
Parking Brake	Lever	Lever	Lever
Front Brake	Ventilated Disc	Ventilated Disc	Ventilated Disc
Front Seat Belts	Pretensioner, Force Limiter	Pretensioner, Force Limiter	Pretensioner, Force Limiter
Rear Brake	Drum Leading and Trailing	Drum Leading and Trailing	Drum Leading and Trailing
Rear Seat Belts	Standard	Standard	Standard
Seat Belt Warning	Driver only Buzzer + Light	Driver only Buzzer + Light	Driver only Buzzer + Light
Wireless Door Lock	Standard Remote	Standard Remote	Standard Key



# SPECIFICATIONS

Toyota Vitz 1.0 XR MT

Toyota Vitz 1.0 XR AMT

Toyota Vitz 1.0 MT

## Safety and Security

Rear Window Demister	•	•	•
Airbags	Driver, Passenger	Driver, Passenger	Driver, Passenger

## Driver Support Systems

Park Distance Control	Standard Rear	Standard Rear	Standard Rear
Anti-Lock Braking System (ABS)	•	•	•
Brake Assist (BA)	•	•	•
Electronic Brake Force Distribution (EBD)	•	•	•
Vehicle Stability Control (VSC)	•	•	•
Hill Assist Control (HAC)		•	

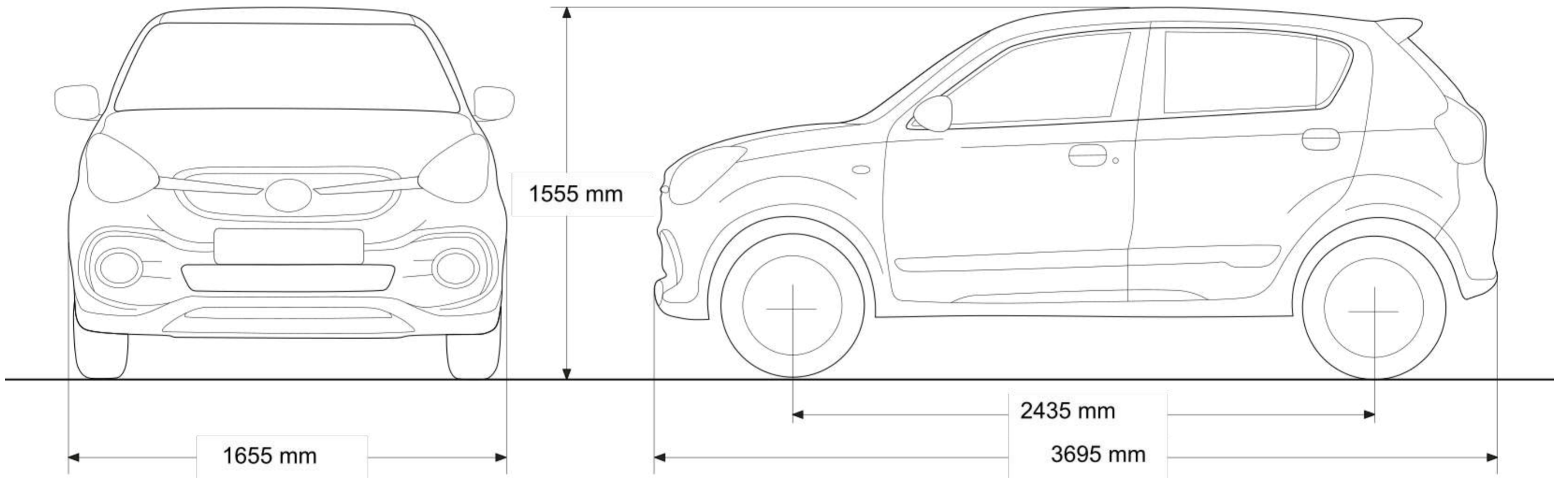
## Service and Warranty

Service Plan	2 Services / 30,000km	2 Services / 30,000km	2 Services / 30,000km
Warranty	3 years / 100,000km	3 years / 100,000km	3 years / 100,000km

## Dimensions and Capacities

Front Overhang (mm)	675	675	675
Front Tread (mm)	1440	1440	1430
Fuel Tank Size (L)	32	32	32
Ground Clearance (mm)	170	170	170
Gross Vehicle Mass (GVM)	1260	1260	1260
Height (mm)	1555	1555	1555
Kerb Weight (kg)	805-830	805-830	805-830
Length (mm)	3695	3695	3695
Luggage Capacity (L)	295	295	295
Rear Overhang (mm)	585	585	585
Rear Tread (mm)	1450	1450	1440
Turning circle (tyres, m)	4.7	4.7	4.7
Wheelbase (mm)	2435	2435	2435
Width (mm)	1655	1655	1655
Top Speed (km/h)	160	160	160

**LINE DRAWING**



**EXTERIOR COLOURS**

FOR ILLUSTRATIVE PURPOSES ONLY.

**MONOTONE**

ZHJ - Mystic Pearl White



Z2S - Urban Silver



ZNZ - Dusk Grey



Z4Q - Torch Red



WAJ - Jet Blue



WB3 - Sonic Black Pearl

**Disclaimer:**

The information contained within or made available on any Toyota platform or note including but not limited to, this website/brochure/specification sheet, is provided for information purposes only. While we make reasonable efforts to update the information on our platform/s, Toyota Motor Corporation of Japan, and Toyota South Africa Motors (Pty) Ltd makes no representations, warranties, or guarantees, whether express or implied, that the content is accurate, complete or up to date, and all information contained herein is subject to change without notice.

Vehicle specifications may vary depending on the model, trim level, and market. Colours depicted on print and web material may not match the actual vehicle colour. Fuel consumption figures are estimates based on standardised testing conditions and actual results may vary due to (but not limited to) driving style, vehicle loading, tyres, wind, traffic, and accessories. All dimensions, capacities, and performance figures are approximate. Some features/options may be optional or only available on certain models/trim levels. Images and illustrations are for illustrative purposes only and may not reflect the actual vehicle.

Your use of, or reliance on, any information or contents herein is entirely at your own risk. Toyota Motor Corporation of Japan and Toyota South Africa Motors (Pty) Ltd (including its owners, agents, consultants, employees, and any affiliated person(s)) are not responsible for any loss or damages related to your use of, reliance on, or understanding of any information or contents on this or any other Toyota platform. This includes, without limitation, any direct, indirect, special, incidental, consequential, or punitive damages in terms of any contract, delict (breach of a duty of care) or law.

Furthermore, Toyota Motor Corporation of Japan and Toyota South Africa Motors (Pty) Ltd do not guarantee the uninterrupted or error-free operation of any platform or the availability of content, and are not liable for any interruptions, errors, or damages caused by any technical issues or limitations of these platforms, including but not limited to, server downtime, software malfunctions, or internet connectivity issues.

