
TOYOTA RAV4



EXPECT INCREDIBLE



Issued on: 2025/02/25

	RAV4 2.5 VX HEV E-FOUR	RAV4 2.5 VX AT AWD	RAV4 2.0 VX CVT 2WD	RAV4 2.5 GX-R HEV E-FOUR	RAV4 2.5 GX-R HEV E-FOUR BT	RAV4 2.0 GX-R CVT AWD
Engine and Drivetrain						
Bore x Stroke (mm)	87.5x103.48	87.5x103.48	80.5x97.6	87.5x103.48	87.5x103.48	80.5x97.6
Fuel System	Petrol Hybrid SFI +D-4S	Petrol SFI +D-4S	Petrol SFI +D-4S	Petrol Hybrid SFI +D-4S	Petrol Hybrid SFI +D-4S	Petrol SFI +D-4S
Maximum Power (kW @ r/min)	131 @ 5700	152 @ 6600	127 @ 6600	131 @ 5700	131 @ 5700	127 @ 6600
Maximum Torque (Nm @ r/min)	221 @ 3600-5200	243 @ 4000-5000	203 @ 4400-4900	221 @ 3600-5200	221 @ 3600-5200	203 @ 4400-4900
Number of Cylinders and Arrangement	Inline-4	Inline-4	Inline-4	Inline-4	Inline-4	Inline-4
Total System Output (kW)	163			163	163	
Engine capacity (litre)	2.5	2.5	2.0	2.5	2.5	2.0
Fuel Consumption (Combined Cycle) (l/100km)	4.8	7.3	6.5	4.8	4.8	6.7
CO2 Emission (g/km)	109	166	147	110	110	153

Transmission						
Transmission	CVT	Automatic-8-speed	CVT	CVT	CVT	CVT
Driven Wheels	E-FOUR	AWD	FWD	E-FOUR	E-FOUR	AWD
Starting System	Push Start	Push Start	Push Start	Push Start	Push Start	Push Start

Suspension						
Front	MacPherson	MacPherson	MacPherson	MacPherson	MacPherson	MacPherson
Rear	Double-Wishbone	Double-Wishbone	Double-Wishbone	Double-Wishbone	Double-Wishbone	Double-Wishbone

Wheels and Tyres						
Spare Wheel	Full 225-60R18 Alloy	Space Saver 165-90D18	Space Saver 165-90D18	Full 225-60R18Alloy	Full 225-60R18Alloy	Full 225-60R18Alloy
Tyre Size	F:225-60R18 Alloy R:225-60R18 Alloy	F:235-55R19Alloy R:235-55R19Alloy	F:235-55R19Alloy R:235-55R19Alloy	F:225-60R18Alloy R:225-60R18Alloy	F:225-60R18Alloy R:225-60R18Alloy	F:225-60R18Alloy R:225-60R18Alloy

Body and Styling						
Body Colour	Monotone	Monotone	Monotone	Monotone	Two tone	Monotone
Daytime Running Light	Standard LED	Standard LED	Standard LED	Standard LED	Standard LED	Standard LED
Door Outside Handles	Chrome - Smart	Chrome - Smart	Chrome - Smart	Colour - Coded	Colour - Coded	Colour - Coded
Front Bumper	Colour Coded	Colour Coded	Colour Coded	Colour Coded	Colour Coded	Colour Coded
Front Fog Lamps	Standard LED	Standard LED	Standard LED	Standard LED	Standard LED	Standard LED
Headlights	LED + Projector Auto High Beam	LED Auto High Beam	LED Auto High Beam	LED + Projector	LED + Projector	LED
Headlamp Levelling	Standard Automatic	Standard Automatic	Standard Automatic	Standard Automatic	Standard Automatic	Standard Automatic
Light Control System	Follow me home	Follow me home	Follow me home	Follow me home	Follow me home	Follow me home
Luggage Boot / Rear Door	Standard Power	Standard Power	Standard Power	Standard Manual	Standard Manual	Standard Manual
Side Mirrors	Colour Coded Power / Auto-Retractable / With Indicator / Blind Spot Monitor (BSM) / Heated / Camera / Power Retractable	Colour Coded Power / Auto-Retractable / With Indicator / Blind Spot Monitor (BSM) / Heated / Camera / Power Retractable	Colour Coded Power / Auto-Retractable / With Indicator / Blind Spot Monitor (BSM) / Heated / Camera / Power Retractable	Colour Coded Power / With Indicator / Heated / Power Retractable	Black Power / With Indicator / Heated / Power Retractable	Colour Coded Power / With Indicator / Heated / Power Retractable
Rear Bumper	Colour Coded	Colour Coded	Colour Coded	Colour Coded	Colour Coded	Colour Coded
Rear Lights	LED	LED	LED	LED	LED	LED
Rear Fog Lamp
Front Window Wiper	Auto, Rainsensing	Auto, Rainsensing	Auto, Rainsensing	Auto, Rainsensing	Auto, Rainsensing	Auto, Rainsensing
Rear Spoiler	Standard	Standard	Standard	Standard	Standard	Standard

Engine and Drivetrain	
Bore x Stroke (mm)	80.5x97.6
Fuel System	Petrol SFI +D-4S
Maximum Power (kW @ r/min)	127 @ 6600
Maximum Torque (Nm @ r/min)	203 @ 4400-4900
Number of Cylinders and Arrangement	Inline-4
Total System Output (kW)	
Engine capacity (litre)	2.0
Fuel Consumption (Combined Cycle) (l/100km)	6.7
CO2 Emission (g/km)	153

Transmission	
Transmission	CVT
Driven Wheels	AWD
Starting System	Push Start

Suspension	
Front	MacPherson
Rear	Double-Wishbone

Wheels and Tyres	
Spare Wheel	Full 225-60R18Alloy
Tyre Size	F:225-60R18Alloy R:225-60R18Alloy

Body and Styling	
Body Colour	Two tone
Daytime Running Light	Standard LED
Door Outside Handles	Colour - Coded
Front Bumper	Colour Coded
Front Fog Lamps	Standard LED
Headlights	LED
Headlamp Levelling	Standard Automatic
Light Control System	Follow me home
Luggage Boot / Rear Door	Standard Manual
Side Mirrors	Black Power / With Indicator / Heated / Power Retractable
Rear Bumper	Colour Coded
Rear Lights	LED
Rear Fog Lamp	.
Front Window Wiper	Auto, Rainsensing
Rear Spoiler	Standard

	RAV4 2.5 VX HEV E-FOUR	RAV4 2.5 VX AT AWD	RAV4 2.0 VX CVT 2WD	RAV4 2.5 GX-R HEV E-FOUR	RAV4 2.5 GX-R HEV E-FOUR BT	RAV4 2.0 GX-R CVT AWD
Body and Styling						
Roof Rails	•	•	•	•	•	•
Interior, Comfort and Convenience						
Package trim and Tonneau cover	•	•	•	•	•	•
4WD Indicator		•				•
Cupholders	Standard 4	Standard 4	Standard 4	Standard 4	Standard 4	Standard 4
Floor Carpet Trim	Carpet With Heel Pad	Carpet With Heel Pad	Carpet With Heel Pad	Carpet With Heel Pad	Carpet With Heel Pad	Carpet With Heel Pad
Rear View Mirror	Digital	Digital	Digital	Electrochromatic (EC)	Electrochromatic (EC)	Electrochromatic (EC)
Luggage Room Lamp	Standard LED	Standard LED	Standard LED	Standard LED	Standard LED	Standard LED
Meter Illumination Control	•	•	•	•	•	•
Overhead Console	Standard, Sunglass Holder	Standard, Sunglass Holder	Standard, Sunglass Holder	Standard, Sunglass Holder	Standard, Sunglass Holder	Standard, Sunglass Holder
2nd Row Seats	60:40	60:40	60:40	60:40	60:40	60:40
Room Lamp	Standard LED	Standard LED	Standard LED	Standard LED	Standard LED	Standard LED
Seat Trim	Leather	Leather	Leather	Partial Leather	Partial Leather	Partial Leather
Shift Lever & Knob	Leather	Leather	Leather	Leather	Leather	Leather
Steering Wheel	3 Spoke Leather	3 Spoke Leather	3 Spoke Leather	3 Spoke Leather	3 Spoke Leather	3 Spoke Leather
Front Personal Lamp	Standard LED	Standard LED	Standard LED	Standard LED	Standard LED	Standard LED
Centre Console	Standard Box	Standard Box	Standard Box	Standard Box	Standard Box	Standard Box
Cruise Control	Standard Adaptive, All Speed	Standard Adaptive, All Speed	Standard Adaptive, All Speed	•	•	•
Airconditioner	Auto Dual zone	Auto Dual zone	Auto Dual zone	Auto Dual zone	Auto Dual zone	Auto Dual zone
Audio System	Toyota Display Audio, Touch screen	Toyota Display Audio, Touch screen	Toyota Display Audio, Touch screen	Toyota Display Audio, Touch screen	Toyota Display Audio, Touch screen	Toyota Display Audio, Touch screen
Reverse Camera	Display Audio Panoramic View Monitor	Display Audio Panoramic View Monitor	Display Audio Panoramic View Monitor	Display Audio With guidelines	Display Audio With guidelines	Display Audio With guidelines
Bluetooth	•	•	•	•	•	•
Front Seat Adjustment	Driver & Passenger Power Driver Memory	Driver & Passenger Power Driver Memory	Driver & Passenger Power Driver Memory	Driver Power	Driver Power	Driver Power
Light Remind Warning	•	•	•	•	•	•
Multi-Information Display	•	•	•	•	•	•
Navigation System	Standard	Standard	Standard	Standard	Standard	Standard
Power Socket	Front - 12V / Rear - 12V	Front - 12V / Rear - 12V	Front - 12V / Rear - 12V	Front - 12V / Rear - 12V	Front - 12V / Rear - 12V	Front - 12V / Rear - 12V
Power Steering	Electric / (EPS)	Electric / (EPS)	Electric / (EPS)	Electric / (EPS)	Electric / (EPS)	Electric / (EPS)
Electric Windows	All All One Touch	All All One Touch	All All One Touch	All All One Touch	All All One Touch	All All One Touch
Rear Armrest	Standard	Standard	Standard	Standard	Standard	Standard
Seat Heater	Standard Driver and Passenger only	Standard Driver and Passenger only	Standard Driver and Passenger only	Standard Driver and Passenger only	Standard Driver and Passenger only	Standard Driver and Passenger only
Seat Lumbar Support	Power, Driver	Power, Driver	Power, Driver	Power, Driver	Power, Driver	Power, Driver

	RAV4 2.0 GX-R CVT AWD BT
Body and Styling	
Roof Rails	•
Interior, Comfort and Convenience	
Package trim and Tonneau cover	•
4WD Indicator	•
Cupholders	Standard 4
Floor Carpet Trim	Carpet With Heel Pad
Rear View Mirror	Electrochromatic (EC)
Luggage Room Lamp	Standard LED
Meter Illumination Control	•
Overhead Console	Standard, Sunglass Holder
2nd Row Seats	60:40
Room Lamp	Standard LED
Seat Trim	Partial Leather
Shift Lever & Knob	Leather
Steering Wheel	3 Spoke Leather
Front Personal Lamp	Standard LED
Centre Console	Standard Box
Cruise Control	•
Airconditioner	Auto Dual zone
Audio System	Toyota Display Audio, Touch screen
Reverse Camera	Display Audio With guidelines
Bluetooth	•
Front Seat Adjustment	Driver Power
Light Remind Warning	•
Multi-Information Display	•
Navigation System	Standard
Power Socket	Front - 12V / Rear - 12V
Power Steering	Electric / (EPS)
Electric Windows	All All One Touch
Rear Armrest	Standard
Seat Heater	Standard Driver and Passenger only
Seat Lumbar Support	Power, Driver

RAV4 2.5 VX HEV E-FOUR RAV4 2.5 VX AT AWD RAV4 2.0 VX CVT 2WD RAV4 2.5 GX-R HEV E-FOUR RAV4 2.5 GX-R HEV E-FOUR BT RAV4 2.0 GX-R CVT AWD

Interior, Comfort and Convenience						
Seat Ventilation				Standard Driver + Passenger	Standard Driver + Passenger	Standard Driver + Passenger
Speakers	Standard 6	Standard 6	Standard 6	Standard 6	Standard 6	Standard 6
Steering Switches	Standard Audio, Telephone, Info Display, Voice Command, Lane Departure Alert, Adaptive Cruise Control	Standard Audio, Telephone, Info Display, Voice Command, Lane Departure Alert, Adaptive Cruise Control	Standard Audio, Telephone, Info Display, Voice Command, Lane Departure Alert, Adaptive Cruise Control	Standard Audio, Telephone, Cruise Control, Info Display, Voice Command	Standard Audio, Telephone, Cruise Control, Info Display, Voice Command	Standard Audio, Telephone, Cruise Control, Info Display, Voice Command
USB	Standard 5	Standard 5	Standard 5	Standard 5	Standard 5	Standard 5
Wireless Charger	•	•	•	•	•	•
Android Auto & Apple CarPlay	•	•	•	•	•	•
Toyota Connect Enabled	•	•	•	•	•	•

Safety and Security						
Airbag On-Off Switch	•	•	•	•	•	•
Anti-Theft System	Immobiliser Alarm / Double lock	Immobiliser Alarm / Double lock	Immobiliser Alarm / Double lock	Immobiliser Alarm / Double lock	Immobiliser Alarm / Double lock	Immobiliser Alarm / Double lock
Auto Door Lock	Standard Speed Dependent	Standard Speed Dependent	Standard Speed Dependent	Standard Speed Dependent	Standard Speed Dependent	Standard Speed Dependent
Child Lock	•	•	•	•	•	•
Child Restraint System (ISOFIX)	Standard 2	Standard 2	Standard 2	Standard 2	Standard 2	Standard 2
Emergency Brake Signal	•	•	•	•	•	•
Parking Brake	Electric	Electric	Electric	Electric	Electric	Electric
Front Brake	Ventilated Disc	Ventilated Disc	Ventilated Disc	Ventilated Disc	Ventilated Disc	Ventilated Disc
Front Seat Belts	Pretensioner, Force Limiter	Pretensioner, Force Limiter	Pretensioner, Force Limiter	Pretensioner, Force Limiter	Pretensioner, Force Limiter	Pretensioner, Force Limiter
Pre-Crash System (Brake Synchronised)	•	•	•	•	•	•
Rear Brake	Disc	Disc	Disc	Disc	Disc	Disc
Rear Seat Belts	Standard ELR	Standard ELR	Standard ELR	Standard ELR	Standard ELR	Standard ELR
Seat Belt Warning	Front + Rear Buzzer	Front + Rear Buzzer	Front + Rear Buzzer	Front + Rear Buzzer	Front + Rear Buzzer	Front + Rear Buzzer
Wireless Door Lock	Standard Smart Entry	Standard Smart Entry	Standard Smart Entry	Standard Smart Entry	Standard Smart Entry	Standard Smart Entry
Airbags	Side, Curtain, Driver, Passenger, Driver Knee	Side, Curtain, Driver, Passenger, Driver Knee	Side, Curtain, Driver, Passenger, Driver Knee	Side, Curtain, Driver, Passenger, Driver Knee	Side, Curtain, Driver, Passenger, Driver Knee	Side, Curtain, Driver, Passenger, Driver Knee
Over-Run and Speed Limiter			•	•	•	•

Driver Support Systems						
Park Distance Control	Standard Front + Rear	Standard Front + Rear	Standard Front + Rear	Standard Rear	Standard Rear	Standard Rear
Anti-Lock Braking System (ABS)	•	•	•	•	•	•
Blind Spot Monitor (BSM)	Standard With Rear Cross Traffic Alert	Standard With Rear Cross Traffic Alert	Standard With Rear Cross Traffic Alert			
Brake Assist (BA)	•	•	•	•	•	•
Electronic Brake Force Distribution (EBD)	•	•	•	•	•	•
Hill Assist Control (HAC)	•	•	•	•	•	•
Multi-Terrain Select (MTS)		•				•
Vehicle Stability Control (VSC)	•	•	•	•	•	•

RAV4 2.0 GX-R CVT AWD BT

Interior, Comfort and Convenience	
Seat Ventilation	Standard Driver + Passenger
Speakers	Standard 6
Steering Switches	Standard Audio, Telephone, Cruise Control, Info Display, Voice Command
USB	Standard 5
Wireless Charger	•
Android Auto & Apple CarPlay	•
Toyota Connect Enabled	•

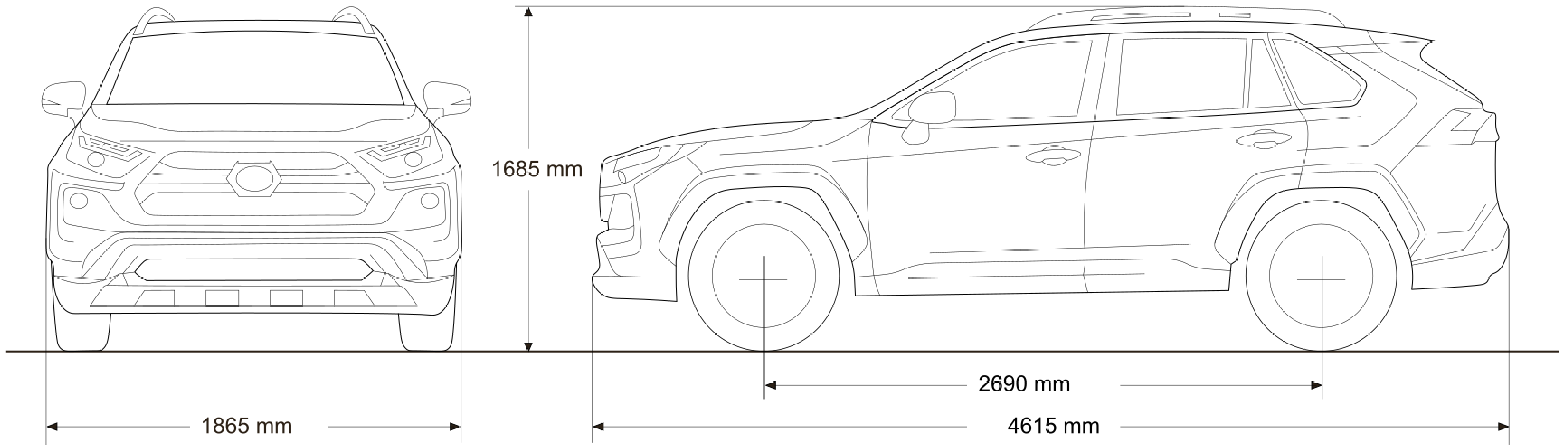
Safety and Security	
Airbag On-Off Switch	•
Anti-Theft System	Immobiliser Alarm / Double lock
Auto Door Lock	Standard Speed Dependent
Child Lock	•
Child Restraint System (ISOFIX)	Standard 2
Emergency Brake Signal	•
Parking Brake	Electric
Front Brake	Ventilated Disc
Front Seat Belts	Pretensioner, Force Limiter
Pre-Crash System (Brake Synchronised)	
Rear Brake	Disc
Rear Seat Belts	Standard ELR
Seat Belt Warning	Front + Rear Buzzer
Wireless Door Lock	Standard Smart Entry
Airbags	Side, Curtain, Driver, Passenger, Driver Knee
Over-Run and Speed Limiter	•

Driver Support Systems	
Park Distance Control	Standard Rear
Anti-Lock Braking System (ABS)	•
Blind Spot Monitor (BSM)	
Brake Assist (BA)	•
Electronic Brake Force Distribution (EBD)	•
Hill Assist Control (HAC)	•
Multi-Terrain Select (MTS)	•
Vehicle Stability Control (VSC)	•

	RAV4 2.5 VX HEV E-FOUR	RAV4 2.5 VX AT AWD	RAV4 2.0 VX CVT 2WD	RAV4 2.5 GX-R HEV E-FOUR	RAV4 2.5 GX-R HEV E-FOUR BT	RAV4 2.0 GX-R CVT AWD
Driver Support Systems						
Drive Mode Select	Standard Eco / Normal / Sport	Standard Eco / Normal / Sport	Standard Eco / Normal / Sport	Standard Eco / Normal / Sport	Standard Eco / Normal / Sport	Standard Eco / Normal / Sport
Trailer Sway Control (TSC)	•	•	•	•	•	•
Downhill Assist Control (DAC)		•				•
Lane Keeping System	Standard Steering Control, Lane Trace Assist	Standard Steering Control, Lane Trace Assist	Standard Steering Control, Lane Trace Assist			
Service and Warranty						
Service Plan	6 Services / 90,000km	6 Services / 90,000km	6 Services / 90,000km	6 Services / 90,000km	6 Services / 90,000km	6 Services / 90,000km
Service Interval	12 months / 15,000km	12 months / 15,000km	12 months / 15,000km	12 months / 15,000km	12 months / 15,000km	12 months / 15,000km
Warranty	3 years / 100,000km	3 years / 100,000km	3 years / 100,000km	3 years / 100,000km	3 years / 100,000km	3 years / 100,000km
Hybrid Battery Warranty	8 years 195,000km			8 years 195,000km	8 years 195,000km	
Dimensions and Capacities						
Front Overhang (mm)	910	910	910	925	925	925
Front Tread (mm)	1610	1600	1600	1610	1610	1610
Fuel Tank Size (L)	55	55	55	55	55	55
Gross Combination Mass (GCM)	3230	3695	3115	3230	3230	3175
Ground Clearance (mm)	195	200	200	195	195	195
Gross Vehicle Mass (GVM)	2230	2195	2115	2230	2230	2175
Height (mm)	1685	1690	1690	1685	1685	1685
Kerb Weight (kg)	1730-1750	1645-1685	1565-1610	1730-1765	1730-1765	1635-1680
Length (mm)	4600	4600	4600	4615	4615	4615
Luggage Capacity (L)	733	733	733	733	733	733
Rear Overhang (mm)	985	1000	1000	985	985	1000
Rear Tread (mm)	1640	1630	1630	1640	1640	1640
Towing Capacity - Unbraked (kg)	750	750	750	750	750	750
Towing Capacity - Braked (kg)	1000	1500	1000	1000	1000	1000
Turning circle (tyres, m)	5.5	5.7	5.7	5.5	5.5	5.5
Wheelbase (mm)	2690	2690	2690	2690	2690	2690
Width (mm)	1855	1855	1855	1865	1865	1865
Top Speed (km/h)	180	200	190	180	180	190

	RAV4 2.0 GX-R CVT AWD BT
Driver Support Systems	
Drive Mode Select	Standard Eco / Normal / Sport
Trailer Sway Control (TSC)	•
Downhill Assist Control (DAC)	•
Lane Keeping System	
Service and Warranty	
Service Plan	6 Services / 90,000km
Service Interval	12 months / 15,000km
Warranty	3 years / 100,000km
Hybrid Battery Warranty	
Dimensions and Capacities	
Front Overhang (mm)	925
Front Tread (mm)	1610
Fuel Tank Size (L)	55
Gross Combination Mass (GCM)	3175
Ground Clearance (mm)	195
Gross Vehicle Mass (GVM)	2175
Height (mm)	1685
Kerb Weight (kg)	1635-1680
Length (mm)	4615
Luggage Capacity (L)	733
Rear Overhang (mm)	1000
Rear Tread (mm)	1640
Towing Capacity - Unbraked (kg)	750
Towing Capacity - Braked (kg)	1000
Turning circle (tyres, m)	5.5
Wheelbase (mm)	2690
Width (mm)	1865
Top Speed (km/h)	190

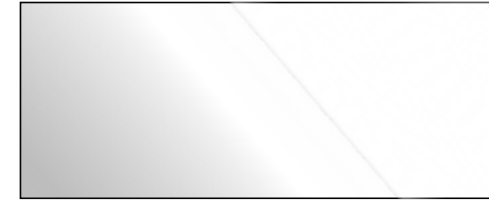
LINE DRAWING



EXTERIOR COLOURS

FOR ILLUSTRATIVE PURPOSES ONLY.

MONOTONE



040 - Glacier White



089 - Platinum White Pearl



1D6 - Chromium Silver



1G3 - Graphite Grey Metallic



3T3 - Cinnabar Red



6X3 - Urban Khaki



8W2 - Tidal Blue

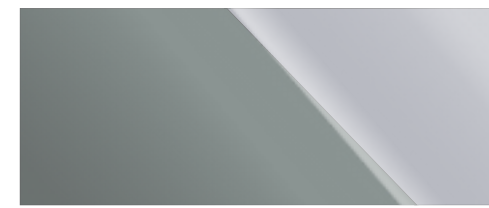


8X8 - Moonlight Ocean Metallic



218 - Attitude Black

BI-TONE



2QU - Urban Khaki Bi-Tone



2QW - Attitude Black Bi-Tone



2QX - Grey Metallic Bi-Tone



2TU - Tidal Blue Bi-Tone

Disclaimer:

The information contained within or made available on any Toyota platform or note including but not limited to, this website/brochure/specification sheet, is provided for information purposes only. While we make reasonable efforts to update the information on our platform/s, Toyota Motor Corporation of Japan, and Toyota South Africa Motors (Pty) Ltd makes no representations, warranties, or guarantees, whether express or implied, that the content is accurate, complete or up to date, and all information contained herein is subject to change without notice.

Vehicle specifications may vary depending on the model, trim level, and market. Colours depicted on print and web material may not match the actual vehicle colour. Fuel consumption figures are estimates based on standardised testing conditions and actual results may vary due to (but not limited to) driving style, vehicle loading, tyres, wind, traffic, and accessories. All dimensions, capacities, and performance figures are approximate. Some features/options may be optional or only available on certain models/trim levels. Images and illustrations are for illustrative purposes only and may not reflect the actual vehicle.

Your use of, or reliance on, any information or contents herein is entirely at your own risk. Toyota Motor Corporation of Japan and Toyota South Africa Motors (Pty) Ltd (including its owners, agents, consultants, employees, and any affiliated person(s)) are not responsible for any loss or damages related to your use of, reliance on, or understanding of any information or contents on this or any other Toyota platform. This includes, without limitation, any direct, indirect, special, incidental, consequential, or punitive damages in terms of any contract, delict (breach of a duty of care) or law.

Furthermore, Toyota Motor Corporation of Japan and Toyota South Africa Motors (Pty) Ltd do not guarantee the uninterrupted or error-free operation of any platform or the availability of content, and are not liable for any interruptions, errors, or damages caused by any technical issues or limitations of these platforms, including but not limited to, server downtime, software malfunctions, or internet connectivity issues.

