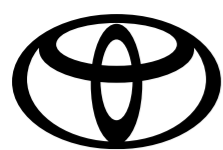


---

# TOYOTA HIACE





# SPECIFICATIONS

Hiace 2.5D GL bus 14's

## Engine and Drivetrain

Bore x Stroke (mm)	92.0x93.8
Fuel System	Diesel Common Rail
Maximum Power (kW @ r/min)	75 @ 3600
Maximum Torque (Nm @ r/min)	260 @ 1600-2400
Number of Cylinders and Arrangement	L-Type-4
Engine capacity (litre)	2.5

## Transmission

Transmission	Manual-5-speed
Driven Wheels	RWD
Starting System	Rotary (Mechanical)

## Suspension

Front	Double Wishbone
Rear	Leaf-Spring

## Wheels and Tyres

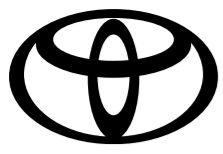
Spare Wheel	Full 195-R15
Tyre Size	F:195-R15 R:195-R15

## Body and Styling

Daytime Running Light	.
Door Outside Handles	Chrome
Front Bumper	Colour Coded
Windshield Glass	Green, Tempered
Headlights	Halogen
Side Mirrors	Black
Front Grille	Chrome
Rear Bumper	Colour Coded
Front Window Wiper	Intermittent
Rear Window Wiper	Intermittent
Side Step	Standard Black

## Interior, Comfort and Convenience

Cupholders	Standard 12
Door Trim	Moulded + Fabric
Front Headrest	Adjustable 2
Rear View Mirror	Day & Night
Key Reminder Warning	Standard Buzzer
Meter Illumination Control	.
Rear Headrests	Adjustable 12



# SPECIFICATIONS

Hiace 2.5D GL bus 14's

## Interior, Comfort and Convenience

Speedometer	Analog
Steering Wheel	4 Spoke Urethane
Airconditioner	Manual
Audio System	Toyota RDS
Auxiliary Input	.
Bluetooth	.
Disc type	Standard CD
Footrest	.
Front Seat Reclining	Manual
Light Remind Warning	Standard Buzzer
Heater	Manual
Power Steering	Hydraulic
Electric Windows	Front One Touch Driver only
Speakers	Standard 6
Steering Column Adjustments	Manual Tilt
Sun Visor	Standard
USB	.

## Safety and Security

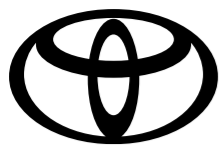
Emergency Brake Signal	.
Front Airbag(s)	Standard Driver + Passenger
Front Seat Belts	ELR, Pretensioner
Power Door Lock	Standard
Rear Seat Belts	Standard ELR
Seat Belt Warning	Driver only Light
Wireless Door Lock	Standard Remote

## Driver Support Systems

Anti-Lock Braking System (ABS)	.
Brake Assist (BA)	.
Hill Assist Control (HAC)	.
Traction Control (TRC)	Standard
Vehicle Stability Control (VSC)	.

## Service and Warranty

Service Plan	9 Services / 90,000km
Service Interval	12 months / 10,000km



# SPECIFICATIONS

Hiace 2.5D GL bus 14's

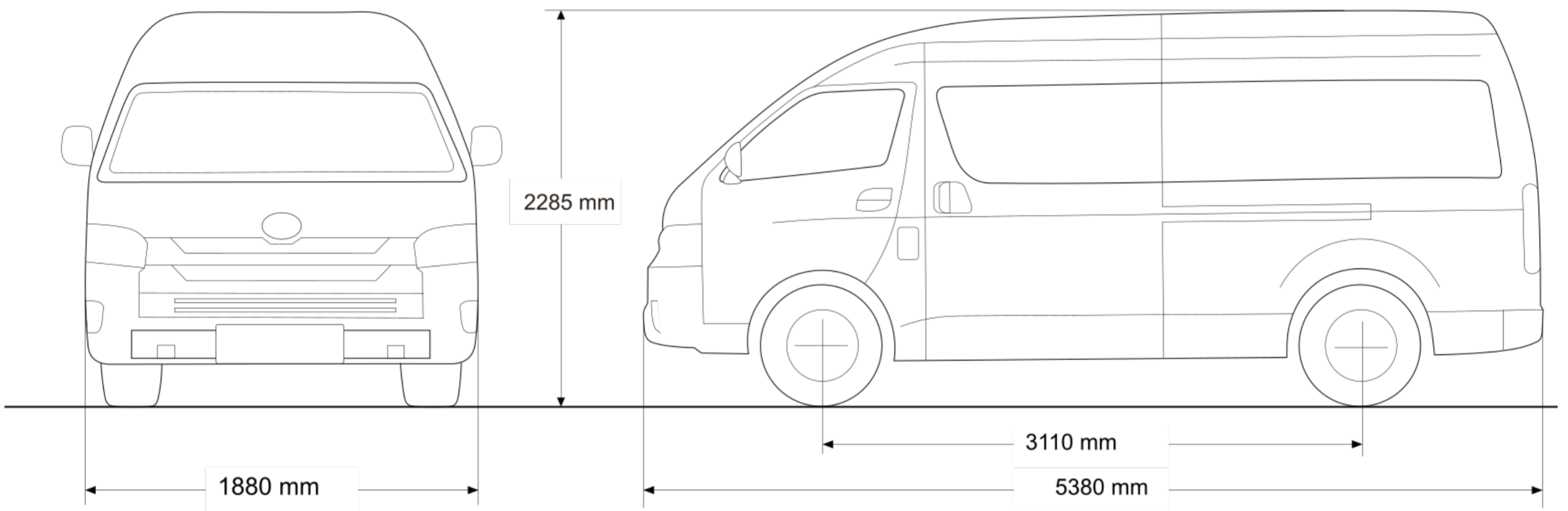
## Service and Warranty

Warranty	3 years / 100,000km
----------	---------------------

## Dimensions and Capacities

Front Overhang (mm)	1185
Front Tread (mm)	1655
Fuel Tank Size (L)	70
Gross Combination Mass (GCM)	4200
Ground Clearance (mm)	185
Gross Vehicle Mass (GVM)	3300
Height (mm)	2285
Length (mm)	5380
Rear Overhang (mm)	1085
Rear Tread (mm)	1650
Towing Capacity - Unbraked (kg)	400
Towing Capacity - Braked (kg)	900
Turning circle (tyres, m)	6.2
Wheelbase (mm)	3110
Width (mm)	1880
Top Speed (km/h)	100

**LINE DRAWING**



## EXTERIOR COLOURS

FOR ILLUSTRATIVE PURPOSES ONLY.

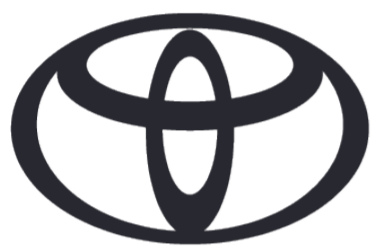
### MONOTONE



058 - Ivory White



1E7 - Quicksilver  
Metallic



**Toyota**  
Financial Services

### Disclaimer:

The information contained within or made available on any Toyota platform or note including but not limited to, this website/brochure/specification sheet, is provided for information purposes only. While we make reasonable efforts to update the information on our platform/s, Toyota Motor Corporation of Japan, and Toyota South Africa Motors (Pty) Ltd makes no representations, warranties, or guarantees, whether express or implied, that the content is accurate, complete or up to date, and all information contained herein is subject to change without notice.

Vehicle specifications may vary depending on the model, trim level, and market. Colours depicted on print and web material may not match the actual vehicle colour. Fuel consumption figures are estimates based on standardised testing conditions and actual results may vary due to (but not limited to) driving style, vehicle loading, tyres, wind, traffic, and accessories. All dimensions, capacities, and performance figures are approximate. Some features/options may be optional or only available on certain models/trim levels. Images and illustrations are for illustrative purposes only and may not reflect the actual vehicle.

Your use of, or reliance on, any information or contents herein is entirely at your own risk. Toyota Motor Corporation of Japan and Toyota South Africa Motors (Pty) Ltd (including its owners, agents, consultants, employees, and any affiliated person(s)) are not responsible for any loss or damages related to your use of, reliance on, or understanding of any information or contents on this or any other Toyota platform. This includes, without limitation, any direct, indirect, special, incidental, consequential, or punitive damages in terms of any contract, delict (breach of a duty of care) or law.

Furthermore, Toyota Motor Corporation of Japan and Toyota South Africa Motors (Pty) Ltd do not guarantee the uninterrupted or error-free operation of any platform or the availability of content, and are not liable for any interruptions, errors, or damages caused by any technical issues or limitations of these platforms, including but not limited to, server downtime, software malfunctions, or internet connectivity issues.

